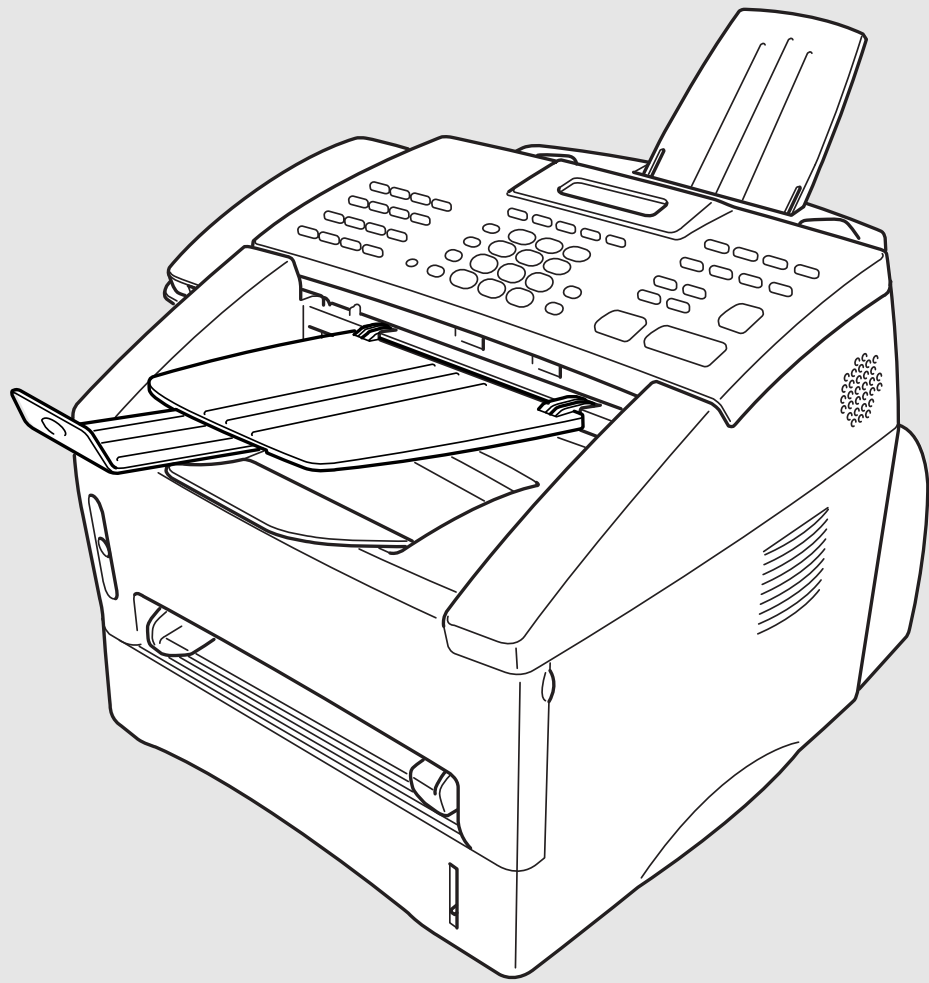


MANUALS
LIBRARY



FAX 4750

FAX 5750

MFC 8300

MFC 8600

MFC 8700



brother.

If You Need to Call Customer Service

Please complete the following information for future reference:

Model Number: FAX 4750 FAX 5750 MFC 8300 MFC 8600 MFC 8700
(Circle your model number)

Serial Number:* _____

Date of Purchase: _____

Place of Purchase: _____

* The serial number is on the back of the unit. Retain this manual with your *sales receipt* as a permanent record of your purchase, in the event of a theft, fire or warranty service.

Year 2000 Compliant

Brother is addressing the Year 2000 related issues for all Brother fax machines and multi-function centers. Our focus is to ensure that our bundled third-party software will continue to properly process date/time data after January 1, 2000.

Brother fax machines and multi-function centers will function properly after January 1, 2000, *provided that* all non-Brother hardware, software and firmware used by our customers in connection or combination with Brother fax machines, MFCs and bundled software, accurately exchange date data with the Brother products.

Please continue to check our Web page for updates at <http://www.brother.com>. All remedies will be provided to individual customers via software patches through software download or from Brother Customer Service.

Brother Numbers

Brother fax-back system

Brother Customer Service has installed an easy-to-use fax-back system, so you can get instant answers to common technical questions and product information for all Brother products. This system is available 24 hours a day, 7 days a week. You can use the system to send faxes to any fax machine, not just the one from which you are calling.

If you can't resolve a difficulty with your Brother machine using this manual, call our fax-back system, and follow the voice prompts to receive faxed instructions about using the system and an index of fax-back subjects.

USA: 1-800-521-2846

From within Canada: 1-800-681-9838

The Brother fax-back system number (USA only) has been preprogrammed on One Touch key **[01]**.

Frequently Asked Questions (FAQs)

You can find more information about Brother products on the World Wide Web. From product specification sheets to Frequently Asked Questions (FAQs), it is all there. Visit us at:

<http://www.brother.com>

Brother Bulletin Board

Brother's Bulletin Board numbers are

USA: 1-888-298-3616

From within Canada: 1-514-685-2040

For Customer Service

USA: 1-800-284-4329 (voice)
1-908-575-8790 (fax)

From within Canada: 1-800-853-6660 (voice)
1-514-685-4898 (fax)

From within Montreal: 1-514-685-6464 (voice)

Ordering Accessories and Supplies

For best quality results use only genuine Brother accessories, available at most Brother retailers. If you cannot find the accessory you need and you have a Visa, MasterCard, Discover or American Express credit card, you can order accessories directly from Brother. (In the USA, you can visit us online for a complete selection of Brother accessories and supplies available for purchase.)

USA: 1-888-879-3232 (voice)

1-800-947-1445 (fax)

<http://www.brothermall.com>

From within 1-800-668-2768 (voice)

Canada:

Description	Item
Laser Fax Toner	TN-430 (Able to print 3000 pages) TN-460 (Able to print 6000 pages)
Laser Fax Drum	DR400
* 8 MB Expandable Memory Board (For FAX 4750, FAX 5750, MFC 8300, MFC 8600 and MFC 8700)	ME8000
* 16 MB Expandable Memory Board (For FAX 4750, FAX 5750, MFC 8300, MFC 8600 and MFC 8700)	ME16000
Telephone Line Cord	UG3565001
Telephone Handset	UF6857010
Handset Curled Cord	UF7204008
Document Tray and Extension	UU2069001
Document Support	UU2080001
IEEE-1284 Bi-directional Cable	F2A046-10
Multi-purpose Paper Cassette #2 (For FAX 4750 and MFC 8600 only)	LT400
Network (LAN) Board (For FAX 5750 and MFC 8700 only)	NC-8000
Power Protector for A/C Power and Phone Line Surges and Voltage Spikes	QPD120
Quick Reference Card	UU2087001
Operations Manual	UU2086001
Software Manual	UU2103001
Bundled MFC 8300 Printer Driver is available on Floppy Disks	DSK8331 (Floppy Disks, Windows® 3.1x) DSK8395 (Floppy Disks, Windows® 95/98)
** Optional Multi-Function Link® Pro software on CD-ROM (or Floppy Disks) for FAX 4750, FAX 5750 and MFC 8300 (Floppy Disks include MFL Pro and PaperPort® for Brother only)	PCI-3CD (For CD-ROM Drive) PCI3D31 (Floppy Disks, Windows® 3.1x) PCI3D95 (Floppy Disks, Windows® 95/98)

* Before you install ME8000 or ME16000, be sure to read DISCLAIMER—USER INSTALLATION OF MEMORY BOARD(S), page iii.

** Multi-Function Link® Pro software is not available on Floppy Disks for Windows NT® Workstation Version 4.0.

Notice – Disclaimer of Warranties (For USA and Canada)

BROTHER'S LICENSOR(S), AND THEIR DIRECTORS, OFFICERS, EMPLOYEES OR AGENTS (COLLECTIVELY BROTHER'S LICENSOR) MAKE NO WARRANTIES, EXPRESS OR IMPLIED, INCLUDING WITHOUT LIMITATION THE IMPLIED WARRANTIES OF MERCHANTABILITY AND FITNESS FOR A PARTICULAR PURPOSE, REGARDING THE SOFTWARE. BROTHER'S LICENSOR(S) DOES NOT WARRANT, GUARANTEE OR MAKE ANY REPRESENTATIONS REGARDING THE USE OR THE RESULTS OF THE USE OF THE SOFTWARE IN TERMS OF ITS CORRECTNESS, ACCURACY, RELIABILITY, CURRENTNESS OR OTHERWISE. THE ENTIRE RISK AS TO THE RESULTS AND PERFORMANCE OF THE SOFTWARE IS ASSUMED BY YOU. THE EXCLUSION OF IMPLIED WARRANTIES IS NOT PERMITTED BY SOME STATES IN THE USA AND SOME PROVINCES IN CANADA. THE ABOVE EXCLUSION MAY NOT APPLY TO YOU.

IN NO EVENT WILL BROTHER'S LICENSOR(S) BE LIABLE TO YOU FOR ANY CONSEQUENTIAL, INCIDENTAL OR INDIRECT DAMAGES (INCLUDING DAMAGES FOR LOSS OF BUSINESS PROFITS, BUSINESS INTERRUPTION, LOSS OF BUSINESS INFORMATION, AND THE LIKE) ARISING OUT OF THE USE OR INABILITY TO USE THE SOFTWARE EVEN IF BROTHER'S LICENSOR HAS BEEN ADVISED OF THE POSSIBILITY OF SUCH DAMAGES. BECAUSE SOME STATES IN THE USA AND SOME PROVINCES IN CANADA DO NOT ALLOW THE EXCLUSION OR LIMITATION OF LIABILITY FOR CONSEQUENTIAL OR INCIDENTAL DAMAGES, THE ABOVE LIMITATIONS MAY NOT APPLY TO YOU. IN ANY EVENT BROTHER'S LICENSOR'S LIABILITY TO YOU FOR ACTUAL DAMAGES FROM ANY CAUSE WHATSOEVER, AND REGARDLESS OF THE FORM OF THE ACTION (WHETHER IN CONTRACT, TORT (INCLUDING NEGLIGENCE), PRODUCT LIABILITY OR OTHERWISE), WILL BE LIMITED TO \$50.

Disclaimer—User Installation of Memory Board(s)

In some cases, product may be modified by adding and/or replacing the memory board(s) with approved replacements. Any damage to the product, the memory board(s) to be inserted therein or otherwise, caused as a result of improper installation (including installation of other than approved memory boards(s)) is not covered by the Limited Warranty. If you do not feel comfortable with the installation of approved memory board(s), contact a Brother Authorized Service Center to perform the installation of the memory board(s) for you. If you elect to use a Brother Authorized Service Center, you will be responsible for a moderate service charge. For the name and location of a convenient Authorized Service Center, please call 1-800-521-2846.

BROTHER 90 DAY LIMITED WARRANTY and EXCHANGE SERVICE

(For FAX 4750 and FAX 5750 Only)

(For USA Only)

This warranty gives you certain rights and you may also have other rights that may vary from state to state.

This warranty is given only to the end-use purchaser of the accompanying product (referred to in this warranty as "this Product").

What is covered: Brother warrants to you for the Warranty Period that there are no defects in the materials, workmanship or Year 2000 compliance of this Product. The "Warranty Period" is 90 days from the date you purchased this product. The "Warranty Period" for consumable items, such as Toner, Drums, Ribbons, etc. are 90 days from the date of purchase, or the rated life of the Consumable item, which ever is shorter.

What is NOT covered: This warranty is VOID — that is, this Product has no warranty — if: (1) you did not purchase this Product from an authorized Brother reseller within the United States, (2) this Product has been serviced, modified or tampered with by anyone other than an Authorized Service Representative of Brother, (3) the serial number has been modified, defaced or removed from this Product, (4) this Product has been abused or damaged, (5) non Brother®-brand or non Brother approved parts, supplies, power supplies or other accessories have been used with this Product, or (6) this Product has been transported without the proper preparation and packaging.

What to do if you think your Product is defective:

Call our Customer Service Hotline at 1-800-284-4329, or if you suspect a defect in materials or workmanship in this Product, you can report it to a Brother Authorized Service Center. During the Warranty Period, supply Brother's representative with a copy of your dated bill of sale showing that this Product was purchased within the United States.

For the name of your Brother Authorized Service Center, call 1-800-521-2846.

After contacting the Brother Authorized Service Center, you may be required to deliver or send the Product properly packaged, freight prepaid, to the Authorized Service Center together with a photocopy of your bill of sale.

What Brother will do: Brother (or its Authorized Service Center) will evaluate your report of a possible defect to determine whether a defect exists, and if it does exist, Brother (or its Authorized Service Center) will repair or (at Brother's option) replace the Product with a product that performs the same functions and performs as well as the original Product. Brother reserves the right to supply refurbished or remanufactured replacement products provided that the replacement products conform to the manufacturer's specifications for new products. The repaired or replacement product will be returned to you at no cost.

Exchange Service:

Exchange service will expedite, in most instances by the next business day, the exchange of your non working Product with a refurbished or remanufactured product that conforms to the manufacturer's specifications for new products. The refurbished or remanufactured Product you receive will be covered by the balance of the limited warranty period remaining on the original Product, plus an additional thirty (30) days. You will keep the replacement Product that is sent to you and must return (or be billed up to the cost of a new product) your original non working product, which shall become the property of Brother. You must call Brother Customer Service and if the representative cannot correct the product's malfunction over the telephone and you elect the exchange service, you must provide information pertaining to this Product and you must also provide a valid major credit card number. Your credit card will be charged up to the cost of a new

BROTHER 90 DAY LIMITED WARRANTY and EXCHANGE SERVICE
(For FAX 4750 and FAX 5750 Only)
(For USA Only)

Product if: (i) you do not return your original Product to Brother within five (5) business days; (ii) the malfunctions of your original Product are not covered by the limited warranty; (iii) the proper packaging instructions are not followed and has caused damage to the product; or (iv) the warranty period on your original Product has expired or has not been sufficiently validated with a copy of the proof of purchase (bill of sale). The Brother Customer Service Representative will ship the exchange Product via next business day delivery courier service, with return instructions and prepaid return airbill.

Follow the return instructions. You must return the original Product in the same shipping carton in which the exchanged Product was received and include a copy of proof of purchase (bill of sale). Retain your original accessory items and a copy of the return airbill, signed by the courier.

Limitations:

Repair or replacement as described above is your sole and exclusive (that is, your only) remedy if this Product is defective. Brother is not responsible for damage to or loss of any equipment, media, programs or data related to the use of this Product. Except for that repair or replacement, *Brother shall not be liable for any direct, indirect, incidental or consequential damages or specific relief. Because some states do not allow the exclusion or limitation of consequential or incidental damages, the above limitation may not apply to you.*

THIS WARRANTY IS GIVEN IN LIEU OF ALL OTHER WARRANTIES, WRITTEN OR ORAL, WHETHER EXPRESSED BY AFFIRMATION, PROMISE, DESCRIPTION, DRAWING, MODEL OR SAMPLE. ANY AND ALL WARRANTIES OTHER THAN THIS ONE, WHETHER EXPRESS OR IMPLIED, INCLUDING IMPLIED WARRANTIES OF MERCHANTABILITY AND FITNESS FOR A PARTICULAR PURPOSE, ARE HEREBY DISCLAIMED.

This Limited Warranty is the only warranty that Brother is giving for this Product. It is *the final expression and the exclusive and only statement* of Brother's obligations to you. It replaces all other agreements and understandings that you may have with Brother or its representatives.

This Limited Warranty (and Brother's obligation to you) may not be changed in any way unless you and Brother sign the same piece of paper in which we (1) refer to this Product and your bill of sale date, (2) describe the change to this warranty and (3) agree to make that change.

Product Support: Toll-free customer service and technical support is available for hardware operational assistance at [1-800-284-4329](tel:1-800-284-4329). At any time, free technical support in the form of Frequently Asked Questions, troubleshooting tips and service center locator is available through our fax back system at [1-800-521-2846](tel:1-800-521-2846) or Brother's Internet Web Site (www.brother.com). Now you can visit us on-line (www.brothermall.com), your complete source for genuine Brother Accessories and Supplies.

BROTHER INTERNATIONAL CORPORATION
100 SOMERSET CORPORATE BLVD.
BRIDGEWATER, NEW JERSEY 08807-0911

Please record your model and serial number and your date and location of Purchase below for your records. Keep this information with your proof of purchase (bill of sale) in case your Product is lost, stolen or requires service.

Model #

Serial #

Date of purchase:

Store where purchased:

Location of store:

Important: *We recommend that you keep all original packing materials, in the event that you ship this product.*

BROTHER ONE YEAR LIMITED WARRANTY and EXCHANGE SERVICE

(For MFC 8300, MFC 8600 and MFC 8700 Only)

(For USA Only)

This warranty gives you certain rights and you may also have other rights that may vary from state to state.

This warranty is given only to the end-use purchaser of the accompanying product (referred to in this warranty as "this Product").

What is covered: Brother warrants to you for the Warranty Period that there are no defects in the materials, workmanship or Year 2000 compliance of this Product. The "Warranty Period" is 1 year from the date you purchased this product. The "Warranty Period" for consumable items, such as Toner, Drums, Ribbons, etc. are 90 days from the date of purchase, or the rated life of the Consumable item, which ever is shorter.

What is NOT covered: This warranty is VOID — that is, this Product has no warranty — if: (1) you did not purchase this Product from an authorized Brother reseller within the United States, (2) this Product has been serviced, modified or tampered with by anyone other than an Authorized Service Representative of Brother, (3) the serial number has been modified, defaced or removed from this Product, (4) this Product has been abused or damaged, (5) non Brother®-brand or non Brother approved parts, supplies, power supplies or other accessories have been used with this Product, or (6) this Product has been transported without the proper preparation and packaging.

What to do if you think your Product is defective:

Call our Customer Service Hotline at 1-800-284-4329, or if you suspect a defect in materials or workmanship in this Product, you can report it to a Brother Authorized Service Center. During the Warranty Period, supply Brother's representative with a copy of your dated bill of sale showing that this Product was purchased within the United States.

For the name of your Brother Authorized Service Center, call 1-800-521-2846. After contacting the Brother Authorized Service Center, you may be required to deliver or send the Product properly packaged, freight prepaid, to the Authorized Service Center together with a photocopy of your bill of sale.

What Brother will do: Brother (or its Authorized Service Center) will evaluate your report of a possible defect to determine whether a defect exists, and if it does exist, Brother (or its Authorized Service Center) will repair or (at Brother's option) replace the Product with a product that performs the same functions and performs as well as the original Product. Brother reserves the right to supply refurbished or remanufactured replacement products provided that the replacement products conform to the manufacturer's specifications for new products. The repaired or replacement product will be returned to you at no cost.

Exchange Service:

Exchange service will expedite, in most instances by the next business day, the exchange of your non working Product with a refurbished or remanufactured product that conforms to the manufacturer's specifications for new products. The refurbished or remanufactured Product you receive will be covered by the balance of the limited warranty period remaining on the original Product, plus an additional thirty (30) days. You will keep the replacement Product that is sent to you and must return (or be billed up to the cost of a new product) your original non working product, which shall become the property of Brother. You must call Brother Customer Service and if the representative cannot correct the product's malfunction over the telephone and you elect the exchange service, you must provide information pertaining to this Product and you must also provide a valid major credit card number. Your credit card will be charged up to the cost of a new

BROTHER ONE YEAR LIMITED WARRANTY and EXCHANGE SERVICE (For MFC 8300, MFC 8600 and MFC 8700 Only) (For USA Only)

Product if: (i) you do not return your original Product to Brother within five (5) business days; (ii) the malfunctions of your original Product are not covered by the limited warranty; (iii) the proper packaging instructions are not followed and has caused damage to the product; or (iv) the warranty period on your original Product has expired or has not been sufficiently validated with a copy of the proof of purchase (bill of sale). The Brother Customer Service Representative will ship the exchange Product via next business day delivery courier service, with return instructions and prepaid return airbill.

Follow the return instructions. You must return the original Product in the same shipping carton in which the exchanged Product was received and include a copy of proof of purchase (bill of sale). Retain your original accessory items and a copy of the return airbill, signed by the courier.

Limitations:

Repair or replacement as described above is your sole and exclusive (that is, your only) remedy if this Product is defective. Brother is not responsible for damage to or loss of any equipment, media, programs or data related to the use of this Product. Except for that repair or replacement, *Brother shall not be liable for any direct, indirect, incidental or consequential damages or specific relief. Because some states do not allow the exclusion or limitation of consequential or incidental damages, the above limitation may not apply to you.*

THIS WARRANTY IS GIVEN IN LIEU OF ALL OTHER WARRANTIES, WRITTEN OR ORAL, WHETHER EXPRESSED BY AFFIRMATION, PROMISE, DESCRIPTION, DRAWING, MODEL OR SAMPLE. ANY AND ALL WARRANTIES OTHER THAN THIS ONE, WHETHER EXPRESS OR IMPLIED, INCLUDING IMPLIED WARRANTIES OF MERCHANTABILITY AND FITNESS FOR A PARTICULAR PURPOSE, ARE HEREBY DISCLAIMED.

This Limited Warranty is the only warranty that Brother is giving for this Product. It is the *final expression and the exclusive and only statement* of Brother's obligations to you. It replaces all other agreements and understandings that you may have with Brother or its representatives.

This Limited Warranty (and Brother's obligation to you) may not be changed in any way unless you and Brother sign the same piece of paper in which we (1) refer to this Product and your bill of sale date, (2) describe the change to this warranty and (3) agree to make that change.

Product Support: Toll-free customer service and technical support is available for hardware operational assistance at [1-800-284-4329](tel:1-800-284-4329). At any time, free technical support in the form of Frequently Asked Questions, troubleshooting tips and service center locator is available through our fax back system at [1-800-521-2846](tel:1-800-521-2846) or Brother's Internet Web Site (www.brother.com). Now you can visit us on-line (www.brothermall.com), your complete source for genuine Brother Accessories and Supplies.

**BROTHER INTERNATIONAL CORPORATION
100 SOMERSET CORPORATE BLVD.
BRIDGEWATER, NEW JERSEY 08807-0911**

Please record your model and serial number and your date and location of Purchase below for your records. Keep this information with your proof of purchase (bill of sale) in case your Product is lost, stolen or requires service.

Model #

Serial #

Date of purchase:

Store where purchased:

Location of store:

Important: We recommend that you keep all original packing materials, in the event that you ship this product.

BROTHER MULTIFUNCTION CENTER/FACSIMILE MACHINE LIMITED WARRANTY (For Canada Only)

Pursuant to this limited warranty of 1 year from the date of purchase for labour and parts, Brother International Corporation (Canada) Ltd. ("Brother"), or its Authorized Service Centers, will repair this MFC/Facsimile machine free of charge if defective in material or workmanship. This Limited Warranty does not include cleaning, consumables (including, without limitation, print cartridges, print head, toner and drum) or damage caused by accident, neglect, misuse or improper installation or operation, any damage caused from service, maintenance, modifications, or tampering by anyone other than a Brother Authorized Service Representative, or from the use of supplies or consumable items that are non-Brother products. Operation of the MFC/Facsimile machine in excess of the specifications or with the Serial Number or Rating Label removed shall be deemed abuse and all repairs thereafter shall be the sole liability of the end-user/purchaser. In order to obtain warranty service, the MFC/Facsimile machine must be delivered or shipped freight prepaid by the end user/purchaser to a "Brother" Authorized Service Center, together with your Proof of Purchase in the form of a Sales Receipt.

For laser products: Failure to remove the Toner Cartridge (and Toner Drum Unit on applicable models) during shipping will cause severe damage to the MFC/Facsimile and will VOID the Warranty. (Refer to your Operation Manual for proper packaging.)

For ink-jet products: Do not remove the ink cartridges during shipping. Damage to your print head resulting from packing without the ink cartridges will VOID your warranty. (Refer to your Operation Manual for proper packaging.)

BROTHER DISCLAIMS ALL OTHER WARRANTIES EXPRESSED OR IMPLIED INCLUDING, WITHOUT LIMITATION, ANY IMPLIED WARRANTIES OF MERCHANTABILITY OR FITNESS FOR A PARTICULAR PURPOSE, EXCEPT TO THE EXTENT THAT ANY WARRANTIES IMPLIED BY LAW CANNOT BE VALIDLY WAIVED.

No oral or written information, advice or representation provided by Brother, its Authorized Service Centers, Distributors, Dealers, Agents or employees, shall create another warranty or modify this warranty. This warranty states Brother's entire liability and your exclusive remedy against Brother for any failure of the MFC/Facsimile machine to operate properly.

Neither Brother nor anyone else involved in the development, production, or delivery of this MFC/Facsimile machine shall be liable for any indirect, incidental, special, consequential, exemplary, or punitive damages, including lost profits, arising from the use of or inability to use the product, even if advised by the end user/purchaser of the possibility of such damages. Since some Provinces do not allow the above limitation of liability, such limitation may not apply to you.

This Limited Warranty gives you specific legal rights and you may also have other rights which vary from Province to Province.

Warranty Service is available at Brother Authorized Service Centers throughout Canada. For Technical Support or for the name and location of your nearest Authorized Service Center call 1-800-853-6660. Within Montreal, please call 685-6464. Internet support: support@brother.ca or browse Brother's Web Site: www.brother.com

Brother International Corporation (Canada) Ltd.
1 Rue Hôtel de Ville
Dollard-Des-Ormeaux, QC H9B 3H6

We're at your side.
brother®

Table of Contents

1	INTRODUCTION	1-1
	Using this Manual	1-1
	Finding Information	1-1
	Test Sheet Procedures (For USA Only)	1-1
	FAX 4750 and FAX 5750 Control Panel Overview	1-2
	MFC 8300, MFC 8600 and MFC 8700 Control Panel Overview ..	1-4
	About Your Machine	1-6
	Fax Tones and Handshake	1-6
	ECM (Error Correction Mode)	1-6
2	ASSEMBLY AND CONNECTIONS	2-1
	Packing List	2-1
	Choosing a Location	2-2
	Assembly	2-3
	Installing the Drum Unit Assembly (with Toner Cartridge)	2-3
	Attach the Trays	2-4
	Connect the Paper Cassette #2 (For FAX 5750 and MFC 8700 Only)	2-4
	Manual Feed Slot	2-5
	Paper	2-6
	Acceptable Paper	2-6
	Paper Capacity of Paper Cassette	2-6
	Paper Specification for the Cassette	2-7
	Manual Feed Slot	2-7
	Loading Paper in Multi-purpose Paper Cassette	2-8
	Connections	2-9
	Connecting the Machine	2-9
	Connecting an External Telephone	2-10
	Connecting an External TAD (Telephone Answering Device) .	2-10
	Sequence	2-10
	Connections	2-10
	Recording Outgoing Message (OGM)	2-11
	Special Line Considerations	2-12
	Roll Over Phone Lines	2-12
	Two-Line Phone System	2-12
	Converting Telephone Wall Outlets	2-12
	Installing Machine, External Two-Line TAD, and Two-Line Telephone	2-13
	Multi-Line Connections (PBX)	2-14
	If you are installing the machine to work with a PBX:	2-14
	Custom Features on a Single Line	2-14
3	ON-SCREEN PROGRAMMING	3-1
	User-Friendly Programming	3-1
	Function Mode	3-1

Do You Have a FAX or MFC?	3-1
Function Selection Table	3-2

4

INITIAL SETUP	4-1
Getting Started	4-1
Setting Dialing Mode (Tone/Pulse)	4-1
Setting Date and Time	4-1
Setting Station ID	4-2
Entering Text	4-2
Inserting spaces	4-3
Making corrections	4-3
Repeating letters	4-3
Special characters and symbols	4-3
Setting Beeper Volume	4-4
Choosing the Handset Volume	4-4
Setting Volume Amplify	4-5
Setting the Speaker Volume	4-5
Setting the Ring Volume	4-5
Memory Storage	4-5
Sleep Mode	4-6
Delayed Timer	4-6
Turning On Automatic Daylight Savings Time	4-6

5

SETUP RECEIVE	5-1
Basic Receiving Operations	5-1
Select Answer Mode	5-1
Setting Ring Delay	5-2
Setting F/T Ring Time	5-2
Easy Receive	5-3
Turning on Cassette #2 (For FAX 4750, FAX 5750, MFC 8600 and MFC 8700 Only)	5-3
Printing a Reduced Incoming Document	5-4
Recommended Reductions	5-4
Setting Paper Size	5-5
Setting Cassette Usage (For FAX 4750, FAX 5750, MFC 8600 and MFC 8700 Only)	5-5
Setting the Print Density	5-6
Toner Save	5-6
Advanced Receiving Operations	5-7
Operation from Extension Telephone (For FAX 4750, MFC 8300, MFC 8600 and MFC 8700 only) or External Telephone	5-7
For FAX/TEL Mode Only	5-7
Changing Remote Codes	5-7
Printing a Fax in Memory	5-8
Polling	5-8
Setting Up Polling Receive	5-9

Setting Up Sequential Polling Receive	5-9
Canceling a Scheduled Job	5-10
Setting Multi-Function Link® Pro Mode (For MFC 8600 and MFC 8700 Only)	5-10
Distinctive Ringing	5-11
Registering your Distinctive Ringing Pattern	5-12
Caller ID	5-13
Viewing Caller ID List	5-13
Clearing a Caller ID Stored in Memory	5-14
Printing Caller ID List	5-14
Call Waiting Caller ID (For FAX 4750, MFC 8300, MFC 8600 and MFC 8700)	5-14

6

SETUP SEND	6-1
Before You Begin	6-1
Sending Faxes with Multiple Settings	6-2
Manual Transmission	6-2
Automatic Transmission	6-2
Manual and Automatic Fax Redial	6-2
Dual Access	6-3
Real Time Transmission	6-3
Checking the Jobs Status	6-4
Canceling Jobs in Memory	6-4
Basic Sending Operations	6-5
Composing Electronic Cover Page	6-5
Composing Your Own Comments	6-6
Cover Page for Next Fax Only	6-6
Always Send Cover Page	6-7
Using a Printed Cover Page	6-7
Contrast	6-8
Resolution	6-8
Canceling a Job While Scanning the Document	6-8
Advanced Sending Operations	6-9
Overseas Mode	6-9
Call Reservation	6-9
Print Sample Call Back Message	6-10
Delayed Fax	6-10
Delayed Batch Transmission	6-11
Broadcasting	6-11
Multiple Resolution Transmission	6-12
Setting Up Polling Transmit	6-13
Interrupting Delayed Fax and Polling Transmit Jobs	6-13

7

SETUP AUTO DIAL NUMBERS	7-1
Storing Numbers for Easy Dialing	7-1
Storing One Touch Dial Numbers	7-1
Storing Speed Dial Numbers	7-2

Setting Up Groups for Broadcasting	7-3
Changing One Touch and Speed Dial Numbers	7-4

8

TELEPHONE OPERATIONS	8-1
Dialing Options	8-1
Manual Dialing	8-1
One Touch Dialing	8-1
Speed Dialing	8-2
Dialing Access Codes and Credit Card Numbers	8-2
Hold	8-2
Pause	8-3
Fax Redial	8-3
Tone/Pulse	8-3
Searching Telephone Index	8-3

9

REMOTE FAX OPTIONS	9-1
Fax Forwarding/Paging	9-1
Programming a Fax Forwarding Number	9-1
Programming Paging Number	9-2
Setting Fax Storage	9-2
Changing Remote Retrieval Access Code	9-3
Remote Retrieval	9-3
Using Remote Retrieval Access Code	9-3
Remote Commands	9-4
Retrieving Memory Status List	9-5
Retrieving Fax Messages	9-5
Changing Fax Forwarding Number Remotely	9-6

10

PRINTING REPORTS	10-1
MFC Settings and Activity	10-1
To Print a Report	10-1
Transmission Verification (Xmit) Report	10-2
Activity Report Interval	10-2

11

MAKING COPIES	11-1
Using Your Machine as a Copier	11-1
Copy Contrast (Temporary Setting)	11-1
Making a Single Copy	11-1
Making Multiple Copies	11-2
Stacking Multiple Copies	11-2
Sorting Multiple Copies	11-2
If You Get a Memory Full Message	11-2
Reducing and Enlarging Copies	11-3
Copying a Photograph	11-3

12

SETTING UP BROTHER MACHINE AND PC TO WORK TOGETHER (FOR MFC 8300 ONLY)	12-1
Using the Brother Machine with Your PC	12-1

Before You Install Brother Printer Driver	12-2
If You Don't Have a CD-ROM Drive	12-2
Computer Requirements	12-2
Connecting Brother Machine to PC with a USB Cable	
(For Using Windows® 98 Only)	12-3
Installing Brother Printer Driver Using USB Cable	12-4
Manually Installing True Type Fonts	12-8
For Windows® 95/98 and Windows NT® Workstation	
Version 4.0:	12-8
For Windows® 3.1x:	12-8
Connecting Brother Machine to PC	
With Bundled Parallel Cable	12-9
Installing Brother Printer Driver (For Parallel Interface)	
(For Windows® 95/98 and Windows NT® Workstation	
Version 4.0 Only)	12-10

13

FOR DOS USERS (FOR MFC 8300, MFC 8600 AND MFC 8700 ONLY)	13-1
How to Use Brother machine with Your DOS Application	
Software	13-1
What Does the Remote Printer Console Do?	13-1
Remote Printer Console Main Program	13-1
Printer Status Monitor Program	13-2
Installing the Remote Printer Console	13-2
Using the Remote Printer Console Main Program	13-3
Remote Printer Console	13-4
Current Printer Status Information	13-4
Printer Setup Category	13-4
Print Setup Section	13-4
Page Setup Section	13-5
Font Config	13-5
Other Config	13-6
Console Config Category	13-6
Using the Printer Status Monitor Program	13-7

14

USING BROTHER MACHINE AS A PRINTER	
(FOR MFC 8300, MFC 8600 AND MFC 8700 ONLY)	14-1
Special Printing Features	14-1
Windows® Printing	14-1
Popular Printer Emulation Support	14-1
Remote Printer Console Program for DOS	14-1
Bi-directional Parallel Interface	14-1
Enhanced Memory Management	14-1
Printing From Your PC	14-2
Multi-purpose Paper Cassette	14-2
Two-Sided Printing (Manual Duplexing)	14-2
Front Output Bin	14-3

Manual Feed Slot	14-3
Loading One Sheet of Paper	14-4
Loading More than One Sheet of Paper	14-4
Printing on Thicker Paper and Card Stock	14-5
Simultaneous Printing/Faxing	14-6
Choosing Acceptable Paper	14-6
Printer Operation Keys	14-7
On/Off Line Key	14-7
FF/Cont Key	14-7
Print Priority Key	14-7
Test/Reset Key	14-7
Printing the Internal Font List	14-8
Printing the Print Configuration List	14-8
Restoring Factory Default Settings	14-8
Printing PC Data in Hexadecimal	14-8

15

OPTIONAL ACCESSORIES	15-1
Additional Memory for Faxing/Printing	15-1
For the Printer	15-1
For the Fax	15-1
Network (LAN) Board (Option)	
(For FAX 5750 and MFC 8700 Only)	15-1
Paper Cassette #2 (Option)	
(For FAX 4750 and MFC 8600 Only)	15-2
Multi-Function Link® Pro (Option)	
(For FAX 4750, FAX 5750 and MFC 8300 Only)	15-2

16

IMPORTANT INFORMATION	16-1
Standard Telephone and FCC Notices (For 120V Models Only)	16-1
These notices are in effect on models sold and used in the	
United States only.	16-1
Federal Communications Commission (FCC) Declaration of	
Conformity (For USA Only)	16-2
ENERGY STAR® Compliance Statement	16-2
Industry Canada Compliance Statement (For Canada Only)	16-3
Laser Safety (For 110-120V Models Only)	16-3
FDA Regulations	16-3
Manufactured	16-3
Important Safety Instructions	16-4
Compilation and Publication Notice	16-6
Trademarks	16-6

17

TROUBLESHOOTING AND ROUTINE MAINTENANCE	17-1
Troubleshooting	17-1
Brother fax-back system	17-1
Brother Home Page	17-1
Brother Bulletin Board	17-1
For Customer Service	17-1

Error Messages	17-2
Document Jam	17-5
Printer Jam	17-5
Paper is Jammed in the Multi-purpose Paper Cassette	17-6
Paper is Jammed near the Drum Unit	17-6
Paper is Jammed in the Fuser Unit	17-6
If You Are Having Difficulty with Your Machine	17-7
Difficulties Setting up the Software (For Windows® 3.1x Users)	17-14
Graphics or Text Is Missing in the Printout	17-14
Problem Using the HP Pavilion PC and the “HP DEMO” Screen Saver	17-14
Bi-Directional Parallel Ports (nibble and byte modes)	17-14
Machine Connect Failure or Bi-Directional Communication Error	17-15
Brother HL-6/6V/10h/630series/660series/960/1260/WL-660:	17-15
EPSON ActionLaser 1100 / 1400:	17-15
HP LaserJet series II, IID, IIP, IIP+, III, IIID or IIP:	17-16
HP LaserJet 4 Plus:	17-16
NEC SuperScript 610/660:	17-16
Lexmark WinWriter 200:	17-17
Packing and Shipping the Machine	17-18
Routine Maintenance	17-21
Cleaning the Document Scanner	17-21
Cleaning the Printer	17-21
Cleaning the Drum Unit	17-22
Replacing the Toner Cartridge	17-23
Toner Empty Indicator	17-23
Replacing the Toner Cartridge	17-24
Replacing the Drum Unit	17-26
Checking the Drum Life	17-27

18

USING YOUR BROTHER MACHINE WITH YOUR APPLE® NEW POWER MACINTOSH® G3 OR IMAC™ (FOR MFC 8300 ONLY)	18-1
For USB equipped Apple New Power Macintosh G3 or iMac with Mac OS 8.5/8.6	18-1
Install Brother Printer Driver for MFC 8300	18-1
SPECIFICATIONS	S-1
Product Description	S-1
Fax Specifications	S-1
Printer Specifications	S-2
Electrical and Environment	S-3
Parallel Interface Specifications	S-4
USB (Universal Serial Bus) Interface Specifications	S-4
Resident Fonts	S-4
Symbol Sets/Character Sets	S-5

GLOSSARY	G-1
INDEX	I-1

1 Introduction

Using this Manual

Thank you for purchasing a Brother fax machine or multi-function center. This machine has been designed to be simple to use, with LCD screen prompts to guide you through functions. However, you can use your machine to its fullest potential by taking a few minutes to read this manual.



Additionally, your machine has a Help Key. Press **Help/Broadcast** to print a list of basic operational steps and functions.

Finding Information

All chapter headings and subheadings are listed in the Table of Contents. You will be able to find information about a specific feature or function by checking the Index in the back of this manual. Also, throughout this manual, you'll see special symbols alerting you to important information, cross-references, and warnings. Illustrations of some screen displays also help you choose the correct key-presses.

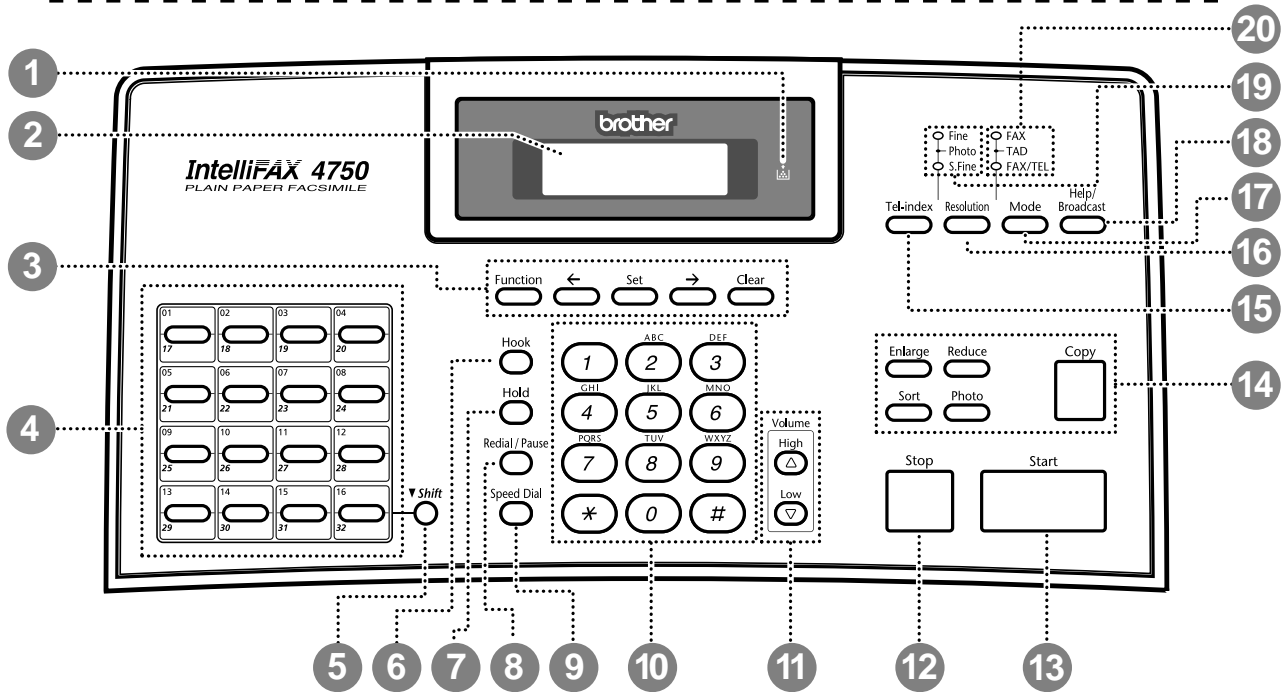
Test Sheet Procedures (For USA Only)

After programming your Station ID, please fill out the TEST SHEET included with your machine and fax it to Brother's Automated Fax Response System as your first transmission. This will verify that your machine is properly installed. (See Station ID p. 4-2.)

When this document is received a confirmation sheet will be sent back to your machine. To get a response, be sure to set up your Station ID.

USA: 1-908-685-9283 (fax)

FAX 4750 and FAX 5750 Control Panel Overview



1 Toner Empty Icon

The Toner icon flashes on and off when toner is low, so you'll know to order another toner cartridge. You will be able to print until the indicator stays on.

2 Liquid Crystal Display (LCD)

Displays messages to help you set up and operate your machine.

3 Programming Keys:

Function

Lets you access the function and programming mode.

← (Left Arrow) → (Right Arrow)

Moves the LCD cursor to the left and right through options or text.

Set

Stores a function setting into the machine.

Clear

Deletes entered data or backs up one step in function procedure.

4 One Touch Dial Keys

These 16 keys give you instant access to previously stored phone numbers.

5 Shift

This key is used to access the "17" through "32" One Touch numbers.

6 Hook

Lets you dial telephone and fax numbers without lifting the handset.

7 Hold

Lets you put calls on hold.

8 Redial/Pause

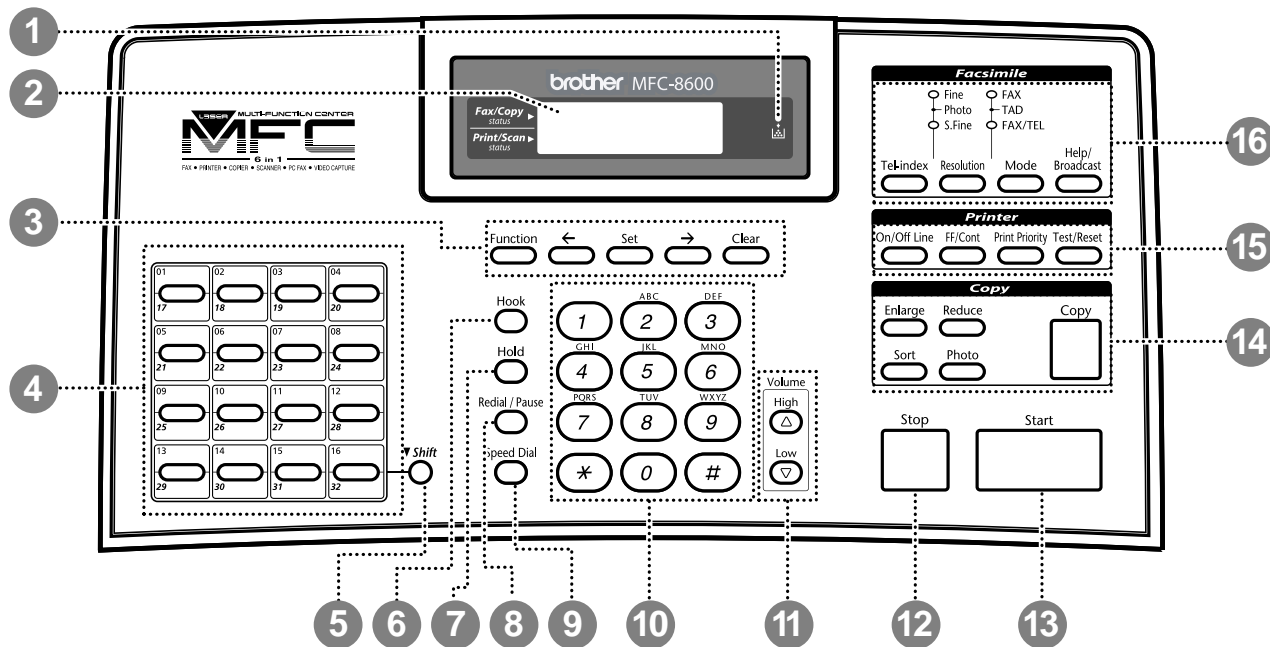
Re-dials the last number called. Also inserts a pause in autodial numbers.

9 Speed Dial

Lets you dial stored phone numbers by pressing a two-digit number.

- 10 Dial Pad**
Dials phone and fax numbers and can be used as a keyboard for entering information into the machine.
- 11 Volume High/Low Keys**
Lets you adjust speaker, ring and handset volume.
- 12 Stop**
Stops a fax, cancels an operation or exits from function mode.
- 13 Start**
Starts an operation (such as sending a fax).
- 14 Copy Function Keys:**
- Enlarge**
Enlarges copies depending on the ratio you select: 100%, 120%, 125%, 150%, 200% and MANUAL.
- Reduce**
Reduces copies depending upon the ratio you select: AUTO, 50%, 75%, 87%, 93%, 100% and MANUAL. AUTO sets the machine to calculate automatically the reduction ratio that fits the size of your paper. MANUAL allows you to enter the reduction ratio from 50%–100% using increments of 1%.
- Sort**
Use this key when you want multiple copies of a multiple page original, copied in order.
- Photo**
This key is used to copy photographs.
- Copy**
Makes a copy.
- 15 Tel-index**
Lets you look up numbers stored in the dialing memory.
- 16 Resolution**
Sets the resolution when you send a fax.
- 17 Mode**
Select how the machine will handle incoming calls.
- 18 Help/Broadcast**
Prints a quick reference Help List. Also, you can use this key whenever you want to send faxes to many different locations (maximum of 182 locations) at once.
- 19 Resolution Indicator Lights**
These LEDs show the resolution mode you selected.
- 20 Answer Mode Indicator Lights**
These LEDs show how the machine will handle incoming calls.

MFC 8300, MFC 8600 and MFC 8700 Control Panel Overview



1 Toner Empty Icon

The Toner icon flashes on and off when toner is low, so you'll know to order another toner cartridge. You will be able to print until the indicator stays on.

2 Liquid Crystal Display (LCD)

Displays messages to help you set up and operate your machine.

3 Programming Keys:

Function

Lets you access the function and programming mode.

← (Left Arrow) → (Right Arrow)

Moves the LCD cursor to the left and right through options or text.

Set

Stores a function setting into the machine.

Clear

Deletes entered data or backs up one step in function procedure.

4 One Touch Dial Keys

These 16 keys give you instant access to previously stored phone numbers.

5 Shift

This key is used to access the “17” through “32” One Touch numbers. In the printer mode when shift is pressed together with Test/Reset, it resets and restores the machine to the factory default settings.

6 Hook

Lets you dial telephone and fax numbers without lifting the handset.

7 Hold

Lets you put calls on hold.

8 Redial/Pause

Re-dials the last number called. Also inserts a pause in autodial numbers.

9 Speed Dial

Lets you dial stored phone numbers by pressing a two-digit number.

10 Dial Pad

Dials phone and fax numbers and can be used as a keyboard for entering information into the machine.

11 Volume High/Low Keys

Lets you adjust speaker, ring and handset volume.

12 Stop

Stops a fax, cancels an operation or exits from function mode.

13 Start

Starts an operation (such as sending a fax).

14 Copy Function Keys:

Enlarge

Enlarges copies depending on the ratio you select: 100%, 120%, 125%, 150%, 200% and MANUAL.

Reduce

Reduces copies depending upon the ratio you select: AUTO, 50%, 75%, 87%, 93%, 100% and MANUAL. AUTO sets the machine to calculate automatically the reduction ratio that fits the size of your paper. MANUAL allows you to enter the reduction ratio from 50%–100% using increments of 1%.

Sort

Use this key when you want multiple copies of a multiple page original, copied in order.

Photo

This key is used to copy photographs.

Copy

Makes a copy.

15 Printer Function Keys:

On/Off Line

This key is used to turn the printer online (ready to receive PC data) and offline (not ready to receive PC data) alternately. When the printer is online, the LCD displays ONLINE.

FF/Cont

When the LCD shows REMAINED DATA, you can turn the machine OFFLINE and then press this key to print the data that is in the memory. Also, it clears operation and machine errors.

Print Priority

When this key is pressed, all faxes will be received into memory without first printing and can be printed later.

Test/Reset

This key is used to print a test page. When it is pressed together with Shift, it clears the data from the printer memory, cancels an error status, and then resets and restores the machine to the factory default settings.

16 Facsimile Function Keys/LEDs:

Resolution Indicator Lights

These LEDs show the resolution mode you selected.

Answer Mode Indicator Lights

These LEDs show the answer mode you selected.

Tel-index

Lets you look up numbers stored in the dialing memory.

Resolution

Sets the resolution when you send a fax.

Mode

Select how the machine will handle incoming calls.

Help/Broadcast

Prints a quick reference Help List. Also, you can use this key whenever you want to send faxes to many different locations (maximum of 182 locations) at once.

About Your Machine



If you're a first-time fax machine user, fax operation might seem a little mysterious. Soon, you'll recognize the unusual fax tones on your phone line, and be able to send and receive faxes easily.

Fax Tones and Handshake

When someone is sending a fax, the machine sends fax calling tones, (CNG tones)—soft, intermittent beeps at 4-second intervals. You'll hear them when you dial and press **Start**, and they continue for about 40 seconds after dialing. During that time, the sending machine must begin the “handshake” with the receiving machine. Each time you use automatic procedures to send a fax, you are sending CNG tones over the phone line. You'll soon learn to listen for these soft beeps each time you answer a phone on your fax line, so you can know if you are receiving a fax message.

The receiving fax responds with fax receiving tones—loud, chirping sounds. A receiving fax chirps for about 40 seconds over the phone line, and the screen displays RECEIVING. If your machine is set to the FAX mode, it will answer every call automatically with fax receiving tones. Even if the other party hangs up, your machine continues to send the “chirps” for about 40 seconds, and the screen continues to display RECEIVING. To cancel the receiving mode, press **Stop**.

When your machine answers in FAX/TEL mode, the machine listens for CNG tones and then responds with receiving tones.

The fax “handshake” is the time in which the sending machine's CNG tones and the receiving machine's “chirps” overlap. This must be for at least 2 to 4 seconds, so the machines can understand how each is sending and receiving the fax. The handshake cannot begin until the call is answered, and the CNG tones only last for about 40 seconds after the number is dialed. Therefore, it's important for the receiving machine to answer the call in as few rings as possible.



When you have an external telephone answering device (TAD) on your fax line, your TAD will determine the number of rings before the call is answered. Pay special attention to the directions in the Assembly and Connections chapter for connecting a TAD to your machine.

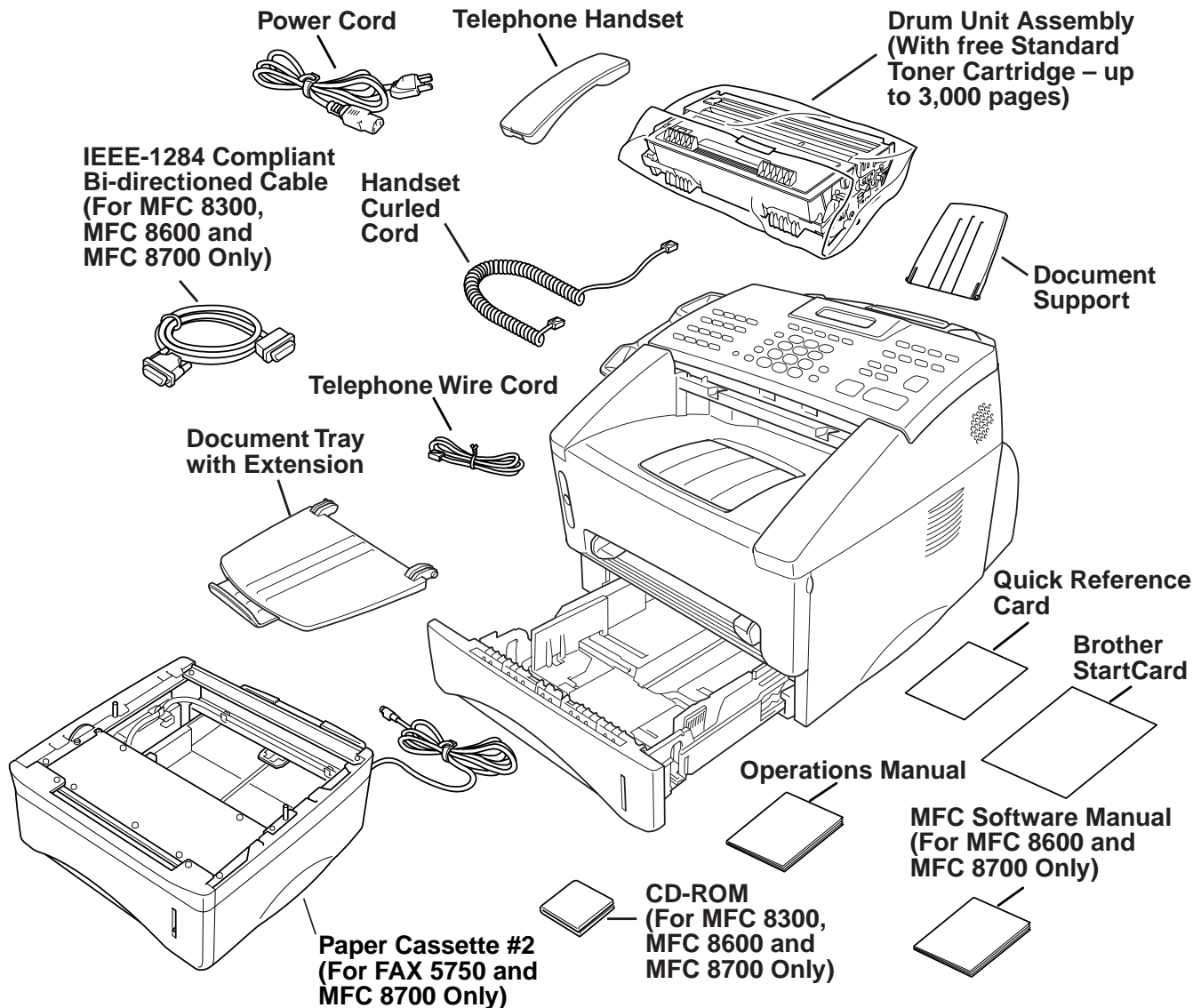
ECM (Error Correction Mode)

The Error Correction Mode (ECM) is a way for the machine to check the integrity of a fax transmission while it is in progress. ECM transmissions are possible only between machines that both have the ECM feature. If they do, you may send and receive fax messages that are continuously checked for their integrity. Sufficient memory must be available in your machine for this feature to work.

2 Assembly and Connections

Packing List

Make sure you have the following items:



If an item is missing, call Brother Customer Service at 1-800-284-4329 (USA), 1-800-853-6660 (from within Canada) or 1-514-685-6464 (from within Montreal). See Ordering Accessories and Supplies on page ii for the correct item numbers.

! Whenever you transport the machine, use the packing materials that came with your machine. If you do not pack the machine properly, you may void your warranty.

Choosing a Location

Place your machine on a flat, stable surface, such as a desk. Select a place that is free of vibration and shocks. Locate the machine near a telephone jack and a standard, grounded power outlet.

- ⊘ Avoid placing your machine in a high-traffic area. Do not place near heaters, air conditioners, water, chemicals or refrigerators. Do not expose the machine to direct sunlight, excessive heat, moisture or dust. Make sure nothing blocks the flow of air from the fan on the sides of the machine. Do not connect your machine to electrical outlets controlled by wall switches or automatic timers. Disruption of power can wipe out information in the unit's memory. Do not connect your machine to electrical outlets on the same circuit as large appliances or other equipment that might disrupt the power supply. Avoid interference sources, such as speakers or the base units of cordless phones.



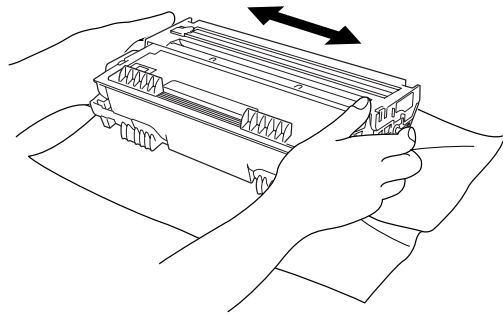
⚠ WARNING

- Never install telephone wiring during a lightning storm.
- We recommend that this product be used with a surge protection device to protect the product against lightning storms.
- Never install a telephone jack in a wet location unless the jack is specifically designed for a wet location.
- Never touch telephone wires or terminals that are not insulated unless the telephone line has been disconnected at the network interface.
- Use caution when installing or modifying telephone lines.
- Avoid using a telephone (other than a cordless type) during an electrical storm. There may be a remote risk of electric shock from lightning.
- Do not use the telephone to report a gas leak in the vicinity of the leak.
- For PLUGGABLE EQUIPMENT, the socket-outlet should be installed near the equipment and should be easily accessible.
- To reduce the risk of shock or fire, use only a No. 26 AWG or larger telecommunications line cord.

Assembly

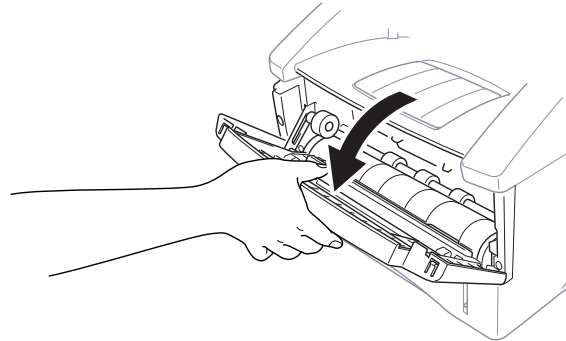
Installing the Drum Unit Assembly (with Toner Cartridge)

- 1 Unpack the drum unit assembly, including the toner cartridge, and gently rock it from side to side five or six times to distribute the toner evenly inside the cartridge.

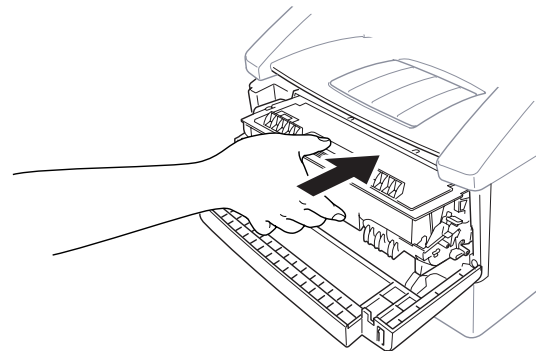


! To prevent damage to the drum, do not expose it to light for longer than a few minutes.

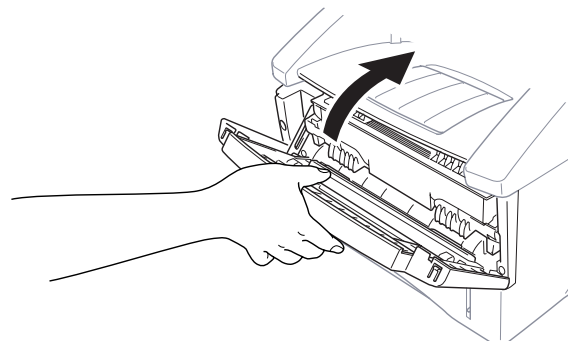
- 2 Open the front cover of the machine.



- 3 Insert the drum unit assembly into the machine.

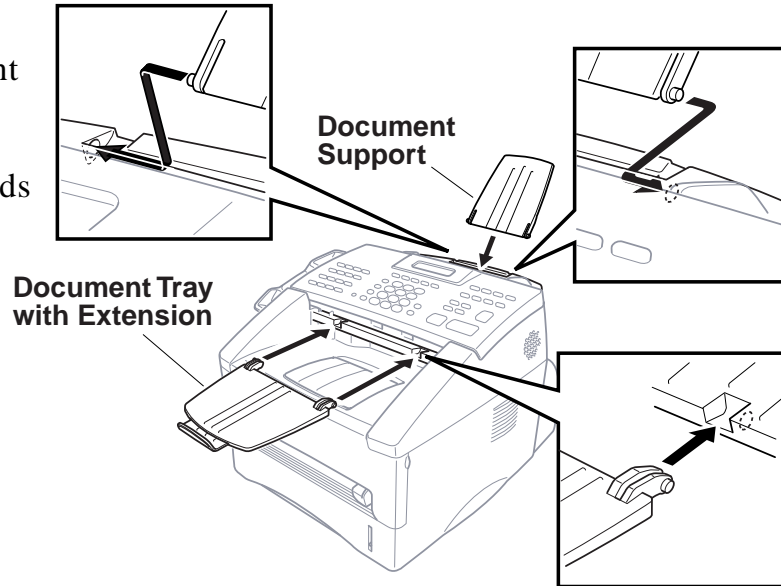


- 4 Close the front cover.

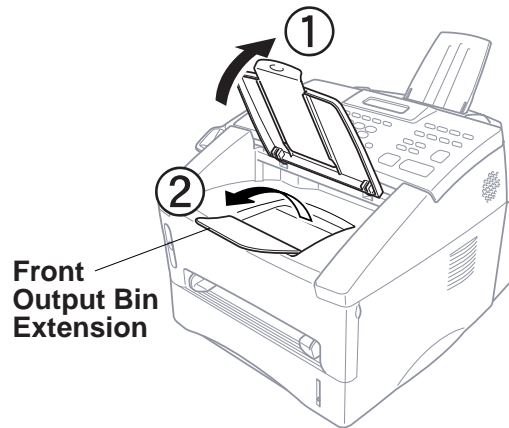


Attach the Trays

- 1 Attach the document support and document tray with extension, and unfold the extension, which holds documents in place.

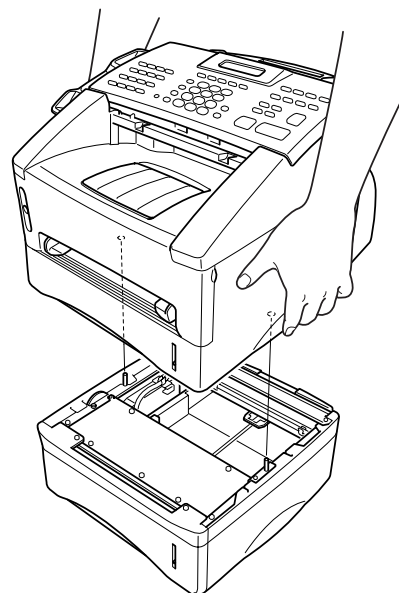


- 2 Unfold the Front Output Bin Extension, which holds printed pages in place.

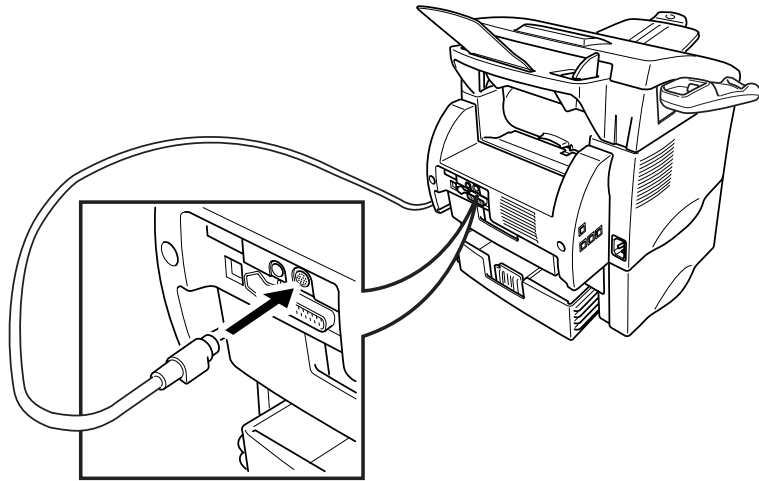




Connect Paper Cassette #2 (For FAX 5750 and MFC 8700 Only)

- 1 Carefully pick up the machine and place it on top of Paper Cassette #2.



- 2 Plug the modular cable from Cassette #2 into the modular jack on the Brother machine.

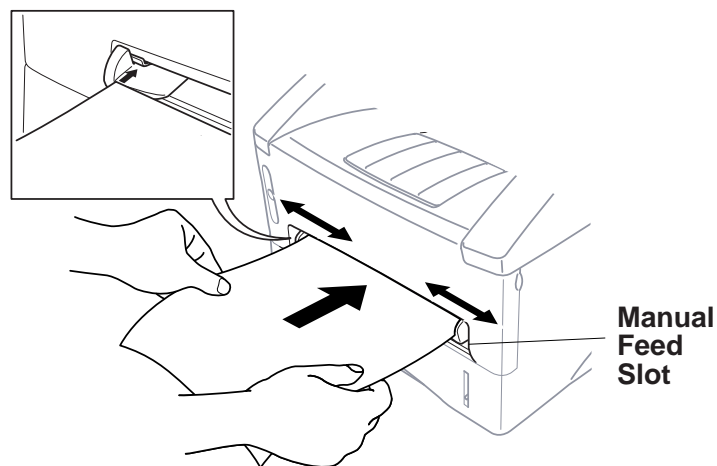


-  To select which cassette will be used for printing, see setting Cassette Usage, page 5-5.
-  If you move the machine after connecting Cassette #2, be sure to carefully lift Cassette #2 with the machine because they are not attached.

Manual Feed Slot

The manual feed slot is above the multi-purpose paper cassette. Load paper or envelopes *one at a time*. You do not have to remove paper from the paper cassette.

To print or copy on labels, transparencies, card stock or thicker paper:



Paper



Acceptable Paper

	Paper Type	Paper Size
Multi-purpose Paper Cassette #1 & #2:	cut sheet	Letter, Legal, A4, A5, ISO B5, Executive, A6, 2.75–8.5 x 4.57–14 inches (70–216 x 116–356 mm)
Manual Feed Slot:	cut sheet	Letter, Legal, A4, A5, B5 (JIS/ISO), Executive, A6, 2.75–8.5 x 4.57–14 inches (70–216 x 116–356 mm)
	envelopes	COM-10, Monarch, C5, DL
	post cards	2.75–8.5 x 4.57–14 inches (70–216 x 116–356 mm)
	organizer	Day-Timer® J, K, L 2.75–8.5 x 4.57–14 inches (70–216 x 116–356 mm)
	labels and transparencies	2.75–8.5 x 4.57–14 inches (70–216 x 116–356 mm)



We Recommend:

Cut sheet:	Xerox 4200
Labels:	Avery laser label or equivalent
Transparencies:	3M CG3300 for laser printers or equivalent

Paper Capacity of Paper Cassette

Multi-purpose Paper Cassette #1:	Max. paper height is 1.06 inches (27 mm) (use the guides) or approx. 250 sheets of 20 lb. (75 g/m ²) Letter/A4 paper, 10 transparencies.
Front Output Bin:	Approx. 150 sheets of 20 lb. (75 g/m ²) Letter/A4 paper

Paper Specification for the Cassette

Cut Sheet	
Basis Weight:	17 to 28 lb. (64 to 105 g/m ²)
Caliper:	0.003 to 0.005 inches. (0.08 to 0.13 mm)
Moisture Content:	4% to 6% by weight

Manual Feed Slot

	Cut Sheet	Envelopes
Basis Weight:	17 to 42 lb. (64 to 158 g/m ²)	20 to 24 lb. (75 to 90 g/m ²)
Caliper:	0.003 to 0.008 inches. (0.08 to 0.2 mm)	0.003 to 0.005 inches. (0.084 to 0.14 mm)
Moisture Content:	4% to 6% by weight	4% to 6% by weight



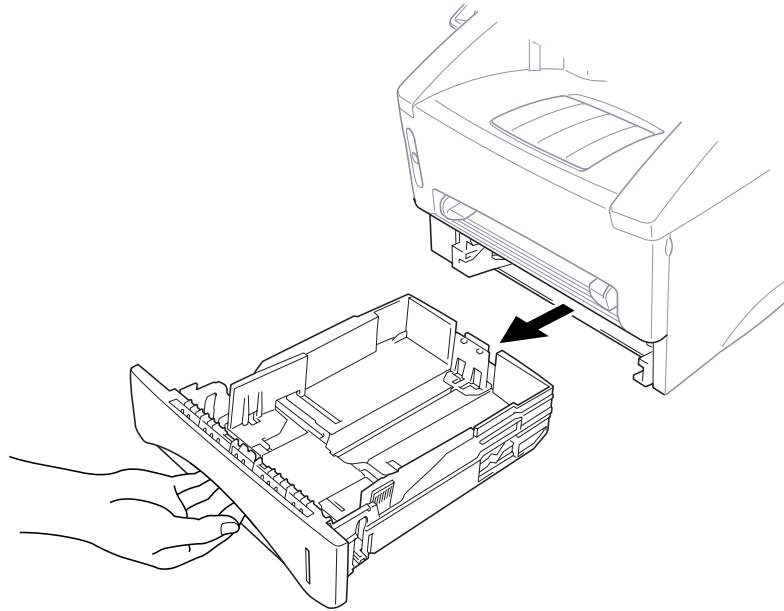
Fax messages can be received on only Letter, Legal and A4 size paper.

If you use legal or A4, change the Paper Size setting:

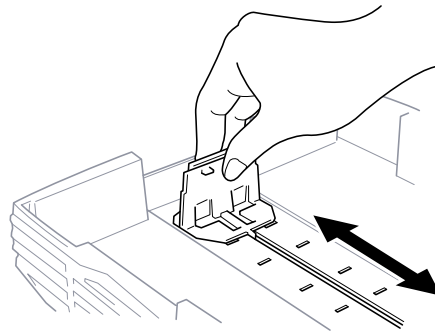
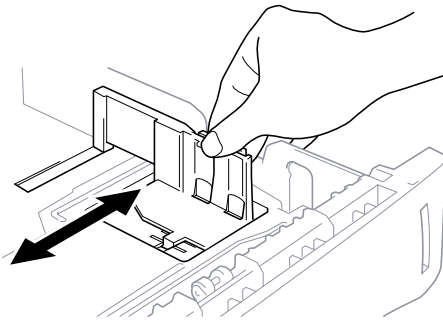
(For the FAX: **Function**, **2**, **6**. For the MFC: **Function**, **1**, **2**, **6**.)

Loading Paper in Multi-purpose Paper Cassette

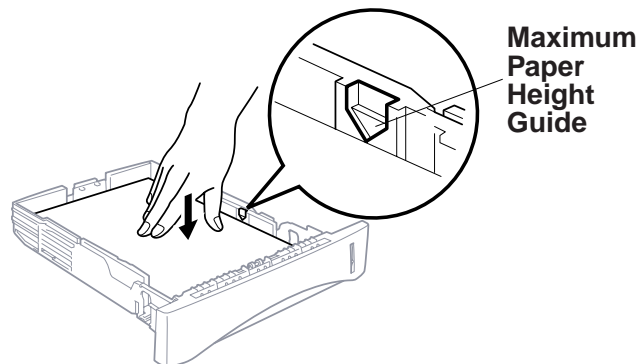
- 1 Pull the paper cassette completely out of the machine.



- 2 Slide the paper width and length adjusters for the paper size you want.



- 3 Fan the paper well. Load paper in the paper cassette. Press down on the paper to flatten it in all four corners, keeping the paper level below the guide. The cassette can hold up to 250 sheets of 20 lb (75g/m²) paper.



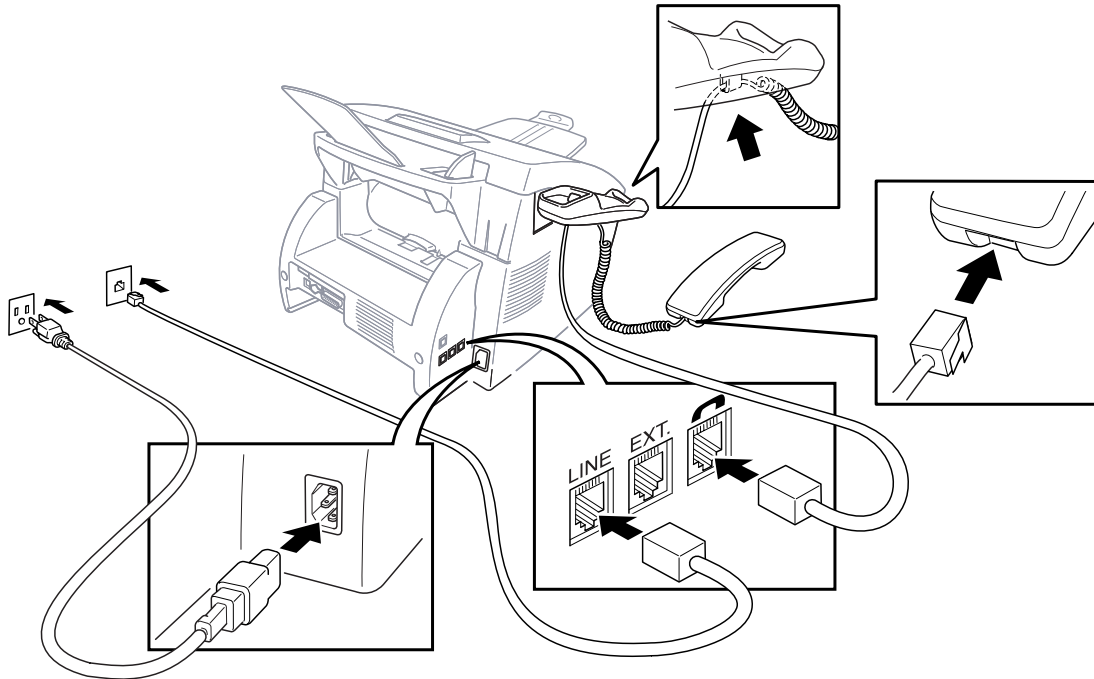
- 4 Slide the paper cassette into the machine until it locks into place.

Connections



Connecting the Machine

Connect the handset, power cord, and telephone line.



1 Connecting the Handset

Connect the curled handset cord to the bottom of the handset and the left side of the machine.

2 Connect the power cord.

When you connect the power, the screen displays

```
01/01/2000 00:00  
SLEEP
```

3 Connect the telephone line.

Connect one end of the telephone line cord to the jack labeled **LINE** on the left side of the machine. Connect the other end to a modular wall jack.


⚠ WARNING

- This machine must be grounded using a three-prong plug.
- Since the machine is grounded through the power outlet, you can protect yourself from potentially hazardous electrical conditions on the telephone line by keeping the power to your machine on when you connect it to a telephone line. When you want to move your machine, protect yourself by disconnecting the telephone line first, and then the power cord.
- Lightning and power surges can damage this product! We recommend that you use a quality surge protection device on the AC power line as well as on the telephone line, or unplug the lines during a lightning storm.
- Do not touch the rollers at the paper exit.

Connecting an External Telephone

Your machine is equipped with a handset that you can use as a regular phone. However, you can also connect a separate telephone (or telephone answering device) directly to your machine.

Connect the modular plug on the telephone's line cord to the jack labeled EXT. on the left side of the machine.

Whenever this phone (or TAD) is in use, the screen displays EXT. TEL IN USE, and, if the machine handset is lifted, an alarm sounds. To disconnect the call on the external phone and switch to the machine, press .

Connecting an External TAD (Telephone Answering Device)

Sequence

You might choose to connect an answering system. When you have an **external** TAD on the same telephone line as the machine, the TAD answers all calls. The machine "listens" for fax calling (CNG) tones. If it hears them, the machine takes over the call and receives the fax. If it doesn't hear CNG tones, the machine lets the TAD continue playing your outgoing message so your caller can leave you a voice message.

The TAD must answer within four rings (the recommended setting is two rings). The machine cannot hear CNG tones until the TAD has answered the call, and with four rings there are only 8–10 seconds of CNG tones left for the fax "handshake." Make sure you carefully follow the instructions in this manual for recording your outgoing message. We do not recommend using the toll saver feature on your external answering machine if it exceeds 4 rings.

Connections

The external TAD must be plugged into the left side of the machine in the jack labeled EXT. Your machine cannot work properly if you plug the TAD into a wall jack.



If You Subscribe to your Telephone Company's Distinctive Ring Service:

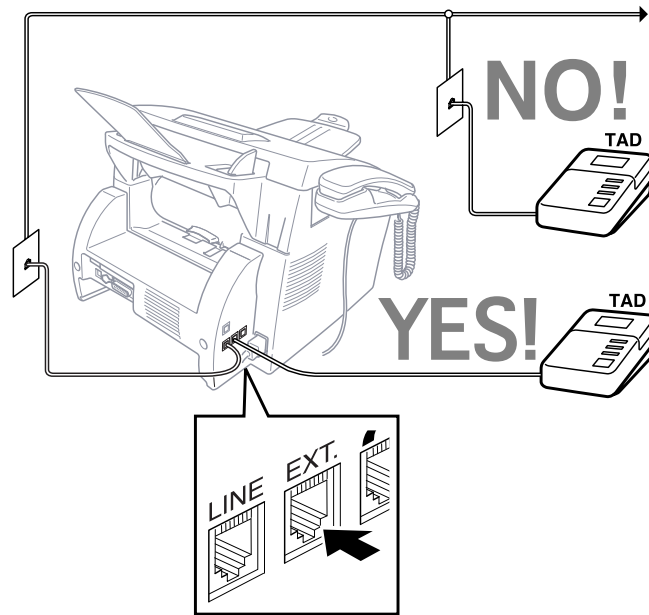
You may connect an external TAD to a separate wall jack *only* if you subscribe to your telephone company's Distinctive Ring service, have registered the distinctive ring pattern on your machine, use that number as a fax number and set your machine's Answer mode to MANUAL.



If You Do NOT Subscribe to Distinctive Ring Service:

You must plug your TAD into the EXT. jack of your Brother machine. If your TAD is plugged into a wall jack, both your machine and the TAD will try to control the phone line. (See illustration on page 2-10.)

- ⊘ **Do not connect a TAD elsewhere on the same phone line.**



- 1 Plug the telephone line cord from the wall jack into the left side of the machine in the jack labeled LINE.
- 2 Plug the telephone line cord from your TAD into the left side of the machine in the jack labeled EXT. (Make sure this cord is connected to the TAD at the TAD's telephone line jack, and not its telephone set jack.)
- 3 Set your external TAD to four rings or less. (The machine's Ring Delay setting does not apply).
- 4 Record the outgoing message. (See below.)
- 5 Set the Answer Mode to TAD by pressing **[Mode]** until both FAX and FAX/TEL lights are on.

Recording Outgoing Message (OGM)

Timing is important in recording this message. The message sets up the ways to handle both manual and automatic fax reception.

- 1 Record 5 seconds of silence at the beginning of your message. (This allows your machine time to listen for the fax CNG tones of automatic transmissions before they stop.)
- 2 Limit your speaking to 20 seconds. (See Easy Receive, page 5-3.)
- 3 End your 20-second message by giving your Fax Receive Code for people sending manual faxes. For example: **"After the beep, leave a message or send a fax by pressing * 5 1 and Start."**

🔍 We recommend beginning your OGM with an initial 5-second silence because the machine cannot hear fax tones over a resonant or loud voice. You may try omitting this pause, but if your machine has trouble receiving, then you must rerecord the OGM to include it.

Special Line Considerations

Roll Over Phone Lines

A roll over phone system is a group of two or more separate telephone lines that pass incoming calls to each other if they are busy. The calls are usually passed down or “rolled over” to the next available phone line in a preset order.

Your machine can work in a roll over system as long as it is the last number in the sequence, so the call cannot roll away. Do not put the machine on any of the other numbers; when the other lines are busy and a second fax call is received, the fax call would be transferred to a line that does not have a fax machine. Your machine will work best on a dedicated line.

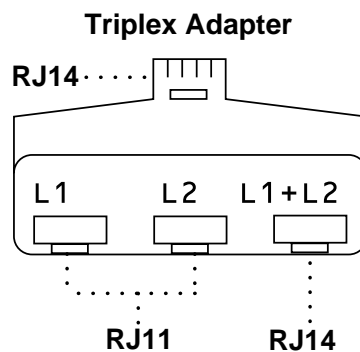
Two-Line Phone System

A two-line phone system is nothing more than two separate phone numbers on the same wall outlet. The two phone numbers can be on separate jacks (RJ11) or combined into one jack (RJ14). Your machine must be plugged into an RJ11 jack. RJ11 and RJ14 jacks may be equal in size and appearance and both may contain four wires (black, red, green, yellow). To test the type of jack, plug in a two-line phone and see if it can access both lines. If it can, you must separate the line for your machine.

Converting Telephone Wall Outlets

There are three ways to convert to an RJ11 receptacle. The first two ways may require assistance from the telephone company. You can change the wall outlets from one RJ14 jack to two RJ11 jacks. Or, you can have an RJ11 wall outlet installed and slave or jump one of the phone numbers to it.

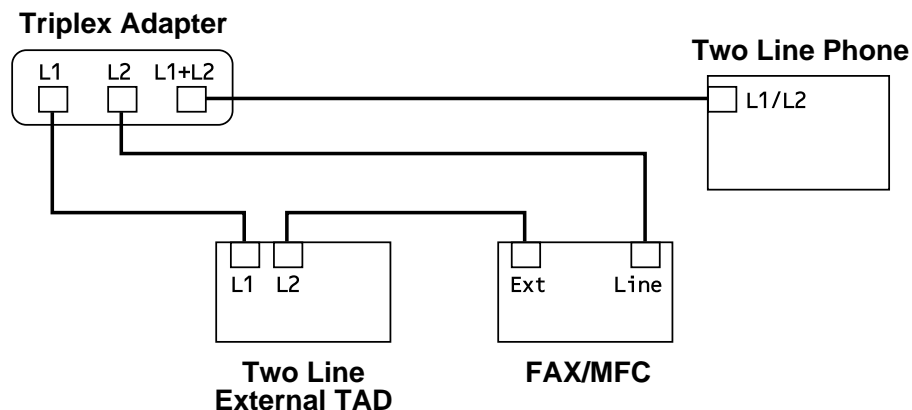
The third way is the easiest: Buy a triplex adapter. You can plug a triplex adapter into an RJ14 outlet. It separates the wires into two separate RJ11 jacks (Line 1, Line 2) and a third RJ14 jack (Lines 1 and 2). If your machine is on Line 1, plug the machine into L1 of the triplex adapter. If your machine is on Line 2, plug it into L2 of the triplex adapter.



Installing Machine, External Two-Line TAD, and Two-Line Telephone

When you are installing an **external** two-line telephone answering device (TAD) and a two-line telephone, your machine must be isolated on one line at both the wall jack and at the TAD. *The most common connection is to put the machine on Line 2, which is our assumption in the following steps.* The back of the two-line TAD must have two telephone jacks: one labeled L1 or L1/L2, and the other labeled L2. You will need at least three telephone line cords, the one that came with your machine and two for your external two-line TAD. You will need a fourth line cord if you add a two-line telephone.

- 1 Place the two-line TAD and the two-line telephone next to your machine.
- 2 Plug one end of the telephone line cord for your fax machine into the L2 jack of the triplex adapter. Plug the other end into the **LINE** jack on the left side of the machine.
- 3 Plug one end of the first telephone line cord for your TAD into the L1 jack of the triplex adapter. Plug the other end into the L1 or L1/L2 jack of the two-line TAD.
- 4 Plug one end of the second telephone line cord for your TAD into the L2 jack of the two-line TAD. Plug the other end into the **EXT.** jack on the left side of the machine.



You can keep two-line telephones on other wall outlets as always. There are two ways to add a two-line telephone to the machine's wall outlet. You can plug the telephone line cord from the two-line telephone into the L1+L2 jack of the triplex adapter. Or, you can plug the two-line telephone into the TEL jack of the two-line TAD.

Multi-Line Connections (PBX)

Most offices use a central telephone system. While it is often relatively simple to connect the machine to a key system or a PBX (Private Branch Exchange), we suggest that you contact the company that installed your telephone system and ask them to connect the machine for you. It is advisable to have a separate line for the machine. You can then leave the machine in FAX mode to receive faxes any time of day or night.

If the machine is to be connected to a multi-line system, ask your installer to connect the unit to the last line on the system. This prevents the unit from being activated each time a telephone call is received.

- ⊘ As with all fax units, this machine must be connected to a two wire system. If your line has more than two wires, proper connection of the machine cannot be made.

If you are installing the machine to work with a PBX:

- 1 It is not guaranteed that the unit will operate correctly under all circumstances with a PBX. Any cases of difficulty should be reported first to the company that handles your PBX.
- 2 If all incoming calls will be answered by a switchboard operator, it is recommended that the Answer Mode be set to MANUAL. All incoming calls should initially be regarded as telephone calls.
- 3 The machine may be used with either pulse or tone dialing telephone service.

Custom Features on a Single Line

To learn how custom features may affect your faxing operations, please see the Troubleshooting and Routine Maintenance chapter, page 17-1.

3 On-Screen Programming

User-Friendly Programming

We have designed your machine with on-screen programming and a Help key. User-friendly programming helps you take full advantage of all the functions your machine has to offer. (See Using This Manual, page 1-1.)

Since your fax programming is done on the LCD, we created step-by-step on-screen prompts to help you program your machine. All you need to do is follow the prompts as they guide you through the function menu selections and programming options and settings.

Function Mode

You can access the function mode by pressing **[Function]**. When you enter the function mode, your machine displays a list of main menu options which scroll on the display automatically; select one menu option by pressing **[Set]** when it appears. The display then scrolls the options within that menu.

You can scroll more quickly by pressing **[Right Arrow]**. (Use **[Left Arrow]** to scroll backward and see all options, in the opposite order.)

Before you press **[Set]** after entering information in a field using the dial pad, you can correct a mistake. Use **[Left Arrow]** to back up and then type over the incorrect characters.

When you finish a function, the screen displays ACCEPTED.



If you want to exit the Function Mode, press **[Stop]**.

Do You Have a FAX or MFC?

See the model number on your machine's control panel to know if your machine is a FAX or an MFC. If you have an MFC model there is an extra key press—to access the FAX functions you must first press **[1]**. If you have a FAX 4750 or FAX 5750, follow the function step for FAX. If you have an MFC 8300, MFC 8600 or MFC 8700, follow the function step for MFC. For example,

For the FAX, press **[Function]**, **[1]**, **[3]**

For the MFC, press **[Function]**, **[1]**, **[1]**, **[3]**.

Function Selection Table

If you have a basic understanding of how to program your machine, you can perform most of the programming settings without this manual. To help you understand the function selections, options, and settings that are found in your fax programs, use the Function Selection Table below.

1. Fax Functions

1. INITIAL SETUP			
Function	Description	Factory Set	Page
1. TONE/PULSE	Selects dialing mode.	TONE	4-1
2. DATE/TIME	Enter date and time for LCD display and heading on transmissions.	01/01 2000 00:00	4-1
3. STATION ID	Program name, fax number and telephone number to appear on each transmitted page.	—	4-2
4. BEEPER	Adjust volume level of beeper.	LOW	4-4
5. SLEEP MODE	Conserve power	00 MIN	4-6
6. DELAYED TIMER	Sets the time of day for delayed faxes. You can accept it or enter another time.	00:00	4-6
7. VOLUME AMPLIFY	For the hearing-impaired, you can set the volume to the VOL AMPLIFY:ON setting on a temporary or permanent basis.	OFF	4-5
8. CASSETTE #2 (For FAX 4750, FAX 5750, MFC 8600 and MFC 8700 Only)	Turn CASSETTE #2 ON if you purchased the optional Cassette #2.	OFF (For FAX 4750 and MFC 8600) ON (For FAX 5750 and MFC 8700)	5-3
9. AUTO DAYLIGHT	Changes for Daylight Savings Time automatically.	OFF	4-6

1. Fax Functions (CONTINUED)

2. SETUP RECEIVE			
Function	Description	Factory Set	Page
1. RING DELAY	Number of rings before machine answers in FAX or FAX/TEL mode.	04	5-2
2. F/T RING TIME	Sets the time for “double ring” in FAX/TEL mode.	20 SEC	5-2
3. EASY RECEIVE	Receive fax messages without pressing the Start key.	ON	5-3
4. REMOTE CODE	Enter code to activate or deactivate machine from a remote location.	ON (*51, #51)	5-7
5. REDUCTION	Reduces size of image. If cassette #2 is attached to FAX 4750, FAX 5750, MFC 8600 or MFC 8700, you can select the reduction ratio for each cassette.	AUTO	5-4
6. PAPER	Selects size of paper for fax receiving. If cassette #2 is attached to FAX 4750, FAX 5750, MFC 8600 or MFC 8700, you can select the size of paper for each cassette and choose the cassette you wish to use first.	—	5-5
7. PRINT DENSITY	Make prints darker or lighter.	—	5-6
8. POLLING RX	Turns Polling Receive ON or OFF.	OFF	5-9
9. TONER SAVE	Increases life of toner cartridge.	OFF	5-6
10. MF LINK (For MFC 8600 and MFC 8700 Only)	Turn ON if PC is connected to machine for PC receiving of messages. If you purchased the optional MFL Pro for your FAX 4750, FAX 5750 or MFC 8300, you can set this option.	ON	5-10

1. Fax Functions (CONTINUED)

3. SETUP SEND			
Function	Description	Factory Set	Page
1. COVERPG SETUP	Automatically sends the cover page you programmed.	OFF	6-6, 7
2. COVERPAGE MSG	Program customized message for fax cover page.	—	6-6
3. CONTRAST	Change lightness or darkness of a fax you are sending.	AUTO	6-8
4. RESOLUTION	Allows you to change resolutions page by page.	STANDARD	6-12
5. OVERSEAS MODE	Adjusts for sometimes difficult overseas transmissions.	OFF	6-9
6. CALL RESERVE	You can send a fax, then speak.	OFF	6-9
7. DELAYED FAX	Send documents later.	—	6-10
8. POLLED TX	Turns Polling Transmission ON (or OFF).	OFF	6-13
9. REAL TIME TX	Next Fax Only/ON/OFF	OFF	6-3
0. BATCH TX	Sends all delayed faxes that are to the same fax number and at the same time as one transmission.	OFF	6-11

4. REMAINING JOBS			
Function	Description	Factory Set	Page
Canceling a job in memory	Cancel a delayed fax or polling job.	—	5-10, 6-4

5. INTERRUPT			
Function	Description	Factory Set	Page
Interrupting a polling or transmit job	Send a fax now, even if you have the machine set to send a fax later, or if you have it set for Polling.	—	6-13

6. SET AUTO DIAL			
Function	Description	Factory Set	Page
1. ONE-TOUCH DIAL	Dial numbers stored in memory by pressing only one key.	—	7-1
2. SPEED-DIAL	Dial numbers stored in memory by pressing only three keys.	—	7-2
3. SETUP GROUPS	Set up a Group number for broadcasting.	—	7-3

1. Fax Functions (CONTINUED)

7. PRINT REPORTS			
Function	Description	Factory Set	Page
1. XMIT REPORT		OFF	10-1
2. ACT.REPORT	Print lists and reports of activity. (Details in Chapter 10)	INTERVAL:OFF	10-1
3. ALL DIAL		—	10-1
4. TEL. INDEX		—	10-1
5. USER SETTINGS		—	10-1
6. MEMORY STATUS		—	10-1

8. REMOTE FAX OPT			
Function	Description	Factory Set	Page
1. FAX FWD/PAGING	Set machine to forward fax messages —OR—call your pager.	OFF	9-1, 2
2. FAX STORAGE	Store incoming faxes in memory for remote retrieval.	OFF	9-2
3. REMOTE ACCESS	Set code for retrieving faxes.	159*	9-3
4. PRINT FAX	Print incoming faxes stored in the memory.	—	5-8

0. MISCELLANEOUS			
Function	Description	Factory Set	Page
1. DISTINCTIVE	Use with telephone company's distinctive ringing service to register the ring pattern on the machine.	OFF	5-12
2. CALLER ID	View or print a list of the last 30 Caller IDs stored in memory.	—	5-13, 14
3. COPY CONTRAST	You can make copies darker or lighter.	—	11-1
4. DRUM LIFE	You can check the percentage of drum life that remains available.	—	17-27

2. Printer Functions (For MFC 8300, MFC 8600 and MFC 8700 Only)

1. PRINT OPTIONS			
Function	Description	Factory Set	Page
1. INTERNAL FONT	You can print resident fonts to check and confirm font types	—	14-8
2. CONFIGURATION	Printer settings and status are listed here.	—	14-8

2. RESET PRINTER			
Function	Description	Factory Set	Page
1. FACTORY SET	You can restore the printer back to the factory default settings.	—	14-8
2. HEX DUMP MODE	If you set HEX DUMP MODE, all the PC data is printed in hexadecimal.	—	14-8

3. Video Functions (For MFC 8600 and MFC 8700 Only)

Function	Description	Factory Set	Page
1. QUALITY	Select Normal or High print quality.	HIGH	See MFC Software Manual 1-3
2. VIDEOTYPE	Select Moving or Still video signal.	MOVING	See MFC Software Manual 1-3
3. PRINT SIZE	Select the size for printed video capture frames.	5.75" x 4.25"	See MFC Software Manual 1-3

4 Initial Setup

Getting Started

Setting Dialing Mode (Tone/Pulse)

Your machine comes set to accommodate tone (multi-frequency) dialing service. If you have pulse (rotary) dialing service, you need to change the dialing mode.

- 1 For the FAX, press **[Function]**, **[1]**, **[1]**.
For the MFC, press **[Function]**, **[1]**, **[1]**, **[1]**.
- 2 Use **[←]** or **[→]** to select dialing mode and press **[Set]**.

```
DIALING:TONE?  
SELECT ← → & SET
```

```
DIALING:PULSE?  
SELECT ← → & SET
```

- 3 Press **[Stop]** to exit.

Setting Date and Time

Your machine displays the date and time, and prints it on every fax you send.

In the event of a power failure, you may have to reset the date and time. All other settings remain unaffected.

- 1 For the FAX, press **[Function]**, **[1]**, **[2]**.
For the MFC, press **[Function]**, **[1]**, **[1]**, **[2]**.
- 2 Enter the last two digits of the year and press **[Set]**.
- 3 Enter two digits for the month and press **[Set]**.
(For example, enter 09 for September, or 10 for October).
- 4 Enter two digits for the day and press **[Set]**.
(For example, 06).
- 5 Enter the time in 24-hour format and press **[Set]**.
(For example, enter 15:25 for 3:25 PM).
- 6 Press **[Stop]**.

```
YEAR:XX  
ENTER & SET
```

```
MONTH:XX  
ENTER & SET
```

```
DAY:XX  
ENTER & SET
```

```
TIME:XX:XX  
ENTER & SET
```

The screen now displays the date and time you set, and displays it whenever the machine is standing by.

Setting Station ID

You can store your name, fax number, and telephone number to be printed on all fax pages you send. See Composing Electronic Cover Page, page 6-5.

- 1 For the FAX, press **Function**, **1**, **3**.
For the MFC, press **Function**, **1**, **1**, **3**.

- 2 Enter your fax number (up to 20 digits) and press **Set**.
You must enter a fax number to proceed.

FAX:
ENTER & SET


- 3 Enter your telephone number (up to 20 digits) and press **Set**.
If your telephone number and fax number are the same, enter the same number again.
The number appears on Cover pages and Call Back Messages.

TEL:
ENTER & SET

- 4 Use the dial pad to enter your name (up to 20 characters) and press **Set**.
(See Entering Text.)

NAME:
ENTER & SET

- 5 Press **Stop**.
The screen returns to the date and time.

 If your Station ID has already been programmed, the screen prompts “1” to make a change, or “2” to exit without changing.


Entering Text

When you are setting certain functions, such as the Station ID, you may need to enter text into the machine. Most keys on the dial pad have three or four letters printed above them. The keys for 0, # and * don't have printed letters because they are used for special characters.


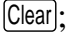
By pressing the appropriate number on the dial pad the correct number of times, you can access the character you want.

Key	once	twice	three times	four times	five times
2	A	B	C	2	A
3	D	E	F	3	D
4	G	H	I	4	G
5	J	K	L	5	J
6	M	N	O	6	M
7	P	Q	R	S	7
8	T	U	V	8	T
9	W	X	Y	Z	9


Inserting spaces

If you want to enter a blank space, press  once between numbers and twice between characters.

Making corrections

If you entered a letter incorrectly and want to change it, press  to move the cursor after the last correct letter. Then press ; all letters above and to the right of the cursor are deleted. Re-enter the correct text and/or digits. Also, you can back up and type over incorrect letters.

Repeating letters

If you need to enter a character assigned to the same key as the previous character, press  to move the cursor to the right.

Special characters and symbols

Press * for (space) ! “ # \$ % & ’ () * + , - . /

Press # for : ; < = > ? @ [] ^ _

Press Ø for É À È Ê Î Ç Ë Ö 0

NOTICE

The Telephone Consumer Protection Act of 1991 makes it unlawful for any person to use a computer or electronic device to send any message via a telephone fax machine unless such messages clearly contain, in a margin at the top or bottom of each transmitted page, or on the first page of the transmission, the date and time it is sent and an identification of the business or other entity or other individual sending the message and the telephone number of the sending machines or such business, other entity or individual.

In order to program this information into your fax machine, you should complete the steps described on pages 4-1 and 4-2.



The telephone number you enter is used only for Call Back Message and Cover Page features.

Setting Beeper Volume

You can set the beeper to LOW, HIGH or OFF. The default setting is **LOW**. When the beeper is set to LOW or HIGH, the machine beeps every time you press a key or make an error, and at the end of fax sending or receiving.

- 1 For the FAX, press **[Function]**, **[1]**, **[4]**.
For the MFC, press **[Function]**, **[1]**, **[1]**, **[4]**.
- 2 Press **[←]** or **[→]** to select your setting and press **[Set]**.
- 3 Press **[Stop]** to exit.

Choosing the Handset Volume

Before you begin to use the machine, you must decide if you need to set the handset volume to AMPLIFY:ON for a user who is hearing-impaired. The AMPLIFY:ON volume level complies with FCC standards.

VOLUME AMPLIFY: OFF

This default setting is appropriate if **none** of the users are hearing-impaired. During a conversation, users can press Volume **[△]** or **[▽]** on the control panel to adjust the volume to LOW or HIGH. When the handset is replaced, the handset volume will remain until you change it again.

VOLUME AMPLIFY: ON—TEMPORARY

This setting is appropriate if **some** of the users are hearing-impaired. During a conversation, users can press Volume **[△]** or **[▽]** on the control panel to adjust the volume to LOW, HIGH or AMPLIFY. When the handset is replaced, the handset volume returns to the default setting of LOW.

VOLUME AMPLIFY: ON—PERMANENT

Choose VOL AMPLIFY:ON—PERMANENT if **all** of the users are hearing-impaired. During a conversation, users can press Volume **[△]** or **[▽]** on the control panel to adjust the volume to LOW, HIGH or AMPLIFY. When the handset is replaced, the handset volume returns to the default setting of AMPLIFY.



When you press Volume **[△]** or **[▽]** on the control panel to adjust the volume, the display shows the setting you are choosing. Each key press changes the volume to the next setting.



WARNING

It is important that you do *not* choose PERMANENT unless all the users are hearing-impaired. Otherwise, the default setting of AMPLIFY may damage the hearing of some users.

Setting Volume Amplify

Please carefully read “Choosing the Handset Volume,” page 4-4 before you do the following steps:

- 1 For the FAX, press **[Function]**, **[1]**, **[7]**.
For the MFC, press **[Function]**, **[1]**, **[1]**, **[7]**.

- 2 If *none* of the users are hearing-impaired, press **[←]** or **[→]** to select **VOL AMPLIFY:OFF?** and press **[Set]**, then go to Step 4

```
VOL AMPLIFY:ON?  
SELECT ← → & SET
```

—OR—

If *some* or *all* of the users are hearing-impaired, select **VOL AMPLIFY:ON?** and press **[Set]**.

- 3 If *all* the users are hearing-impaired, press **[←]** or **[→]** to select **PERMANENT?** and press **[Set]**

```
PERMANENT?  
SELECT ← → & SET
```

—OR—

If only *some* of the users are hearing-impaired, select **TEMPORARY?** and press **[Set]**.

```
TEMPORARY?  
SELECT ← → & SET
```

- 4 Press **[Stop]** to exit.

Setting the Speaker Volume

You can adjust the speaker volume when your machine is on **[Hook]**.

Press Volume **[△]** or **[▽]** to adjust the volume level. The display shows the setting you are choosing. Each key press changes the volume to the next setting. The new setting will remain until you change it again.

Setting the Ring Volume

You can adjust the ring volume when your machine is idle. You can turn the ring OFF or you can select a ring volume level.

Press Volume **[△]** or **[▽]** to adjust the volume level. With each key press, the machine rings as you hear the current setting and the display shows the setting you are choosing. Each key press changes the volume to the next setting. The new setting will remain until you change it again.

Memory Storage

In the event of a power failure, all settings in the INITIAL SETUP, SETUP RECEIVE, SET AUTO DIAL and REMOTE FAX OPTIONS, plus the COVERPG SETUP and COVERPG MSG (from SETUP SEND) functions are stored permanently. You may have to reset the date and time.

Sleep Mode

Setting the Sleep Mode reduces power consumption while the machine is idle. You can choose how long the machine is idle (from 00 to 99 minutes) before it drops into sleep mode. The timer automatically resets when the machine receives a fax or PC data, or makes a copy. The default setting is 0 minutes.

- 1 For the FAX, press **[Function]**, **[1]**, **[5]**.
For the MFC, press **[Function]**, **[1]**, **[1]**, **[5]**.
- 2 Use the Dial pad to enter the amount of time the machine is idle before it drops into sleep mode (00 to 99 minutes) and press **[Set]**.
- 3 Press **[Stop]** to exit.

Delayed Timer

You can set up the time of day that delayed faxes will be sent. This time will be displayed for acceptance or you can override it in *Delayed Fax*. (See Delayed Fax, page 6-10.)

- 1 For the FAX, press **[Function]**, **[1]**, **[6]**.
For the MFC, press **[Function]**, **[1]**, **[1]**, **[6]**.
- 2 Enter the time (in 24-hour format) that you want delayed faxes to be sent and press **[Set]**.
- 3 Press **[Stop]** to exit.

```
SET TIME=12:34  
ENTER & SET
```

```
SET TIME=17:00  
ENTER & SET
```

Turning On Automatic Daylight Savings Time

You can set the machine to change automatically for Daylight Savings Time by resetting itself forward one hour in the Spring and backward one hour in the Fall.

- 1 For the FAX, press **[Function]**, **[1]**, **[9]**.
For the MFC, press **[Function]**, **[1]**, **[1]**, **[9]**.
- 2 Press **[←]** or **[→]** to select **ON** (or **OFF**) and press **[Set]**.
- 3 Press **[Stop]** to exit.

```
9.AUTO DAYLIGHT
```

5 Setup Receive

Basic Receiving Operations



Select Answer Mode

There are four different answer modes for your machine. You may choose the mode that best suits your needs by pressing the Mode button repeatedly until you have changed the FAX and FAX/TEL lights to the setting you want to use.

NOTE: The lighted indicators mean ○ = not selected ☀ = is selected and lit.

Mode	Light	How it works	When to use it
1. MANUAL (manual receive)	○ FAX TAD ○ FAX/TEL	You control the phone line and must answer every call yourself.	Use this mode when you are using a computer modem on the same line or if you receive very few fax messages. You can also use this mode with Distinctive Ringing.
2. FAX (automatic receive)	☀ FAX TAD ○ FAX/TEL	The machine automatically answers every call as a fax.	For dedicated fax lines. You cannot receive a voice call but you can call out.
3. FAX/TEL* (fax and telephone)	○ FAX TAD ☀ FAX/TEL	Machine controls the line and automatically answers every call. If the call is a fax it will receive the fax. If the call is not a fax it will ring (double ring) for you to pick up the call.	You cannot have an answering machine on the same line, even if it is on a separate jack on the same line. You cannot use the telephone company's Voice Mail in this mode.
4. TAD (External Telephone Answering Device)	☀ FAX TAD ☀ FAX/TEL	The external TAD automatically answers every call. Voice messages are stored on the external TAD. Fax messages are printed.	Use this mode if you have an answering machine on your phone line.

*In FAX/TEL mode you must set the Ring Delay and F/T Ring Time. If you have extension phones on the line, set the Ring Delay to 4 rings.

Setting Ring Delay

The Ring Delay setting determines the number of times the machine rings before it answers. If you have extension phones on the same line as the machine, keep the Ring Delay default setting of **4**. (See Easy Receive, page 5-3 and Operation from External or Extension Telephones and For FAX/TEL Mode Only, page 5-7.)

- 1 For the FAX, press **[Function]**, **[2]**, **[1]**.
For the MFC, press **[Function]**, **[1]**, **[2]**, **[1]**.
- 2 Press **[←]** or **[→]** to select how many times the line rings before the machine answers (00 – 04) and press **[Set]**.
(If you select 00, the line doesn't ring at all.)
- 3 Press **[Stop]** to exit.

Setting F/T Ring Time

You must determine how long the machine will notify you with its special double ring when you have a voice call. This ringing happens *after* the initial ringing from the phone company. Only the machine rings, for 20, 30, 40 or 70 seconds; no other phones on the same line ring the special double ring. However, you can also answer the call on any extension phone on the same phone number as the machine.

- 1 For the FAX, press **[Function]**, **[2]**, **[2]**.
For the MFC, press **[Function]**, **[1]**, **[2]**, **[2]**.
- 2 Press **[←]** or **[→]** to select how long the machine will ring to alert you that you have a voice call and press **[Set]**.
- 3 Press **[Stop]** to exit.

```
RING TIME:20 SEC  
SELECT ← → & SET
```

Now, when a call comes in and the machine is set to FAX/TEL Mode, all phones on this line will ring the number of times you selected in Ring Delay.

You can let the machine pick up and detect if it's a fax or voice call. If it's a fax call, the machine prints the fax. If it's a voice call, the machine signals you with a double ring for the length of time you selected in F/T Ring Time.




Even if the caller hangs up during the double ringing, the machine continues ringing for the set time.

Easy Receive

When you use this feature, you don't have to press **[Start]** when you answer a fax call and hear calling beeps. Just hold the handset and wait a few seconds. When you see RECEIVING on the fax screen or when you hear "chirps" through the handset of an extension phone connected to another wall jack, just replace the handset, and your machine does the rest. Selecting ON allows the machine to receive fax calls automatically, even if you lift the handset of an extension or external phone. Selecting SEMI lets the machine receive the call only if you've answered it at the Brother machine. Selecting OFF means you'll have to activate the machine yourself, by pressing **[Start]**—**OR**—by pressing **[*] [5] [1]** if you are not at the machine.

If you've set this feature to ON, but your machine doesn't automatically connect a fax call when you lift an external or extension phone handset, press the Fax Receive code **[*] [5] [1]**. At the machine, lift the handset and press **[Start]**. (See Operation from External or Extension Telephones and For FAX/TEL Mode Only, page 5-7.)


 If you send faxes from a computer on the same phone line and your Brother machine intercepts them, set Easy Receive to OFF.

- 1 For the FAX, press **[Function], [2], [3]**.
For the MFC, press **[Function], [1], [2], [3]**.
- 2 Use **[←]** or **[→]** to select ON, SEMI or OFF and press **[Set]**.
- 3 Press **[Stop]** to exit.

Turning on Cassette #2 (For FAX 4750, FAX 5750, MFC 8600 and MFC 8700 Only)

When CASSETTE #2 is set to ON, you can set paper size, reduction setting and the cassette usage. (See Printing a Reduced Incoming Document, page 5-4 and Setting Paper Size, page 5-5.)

- 1 For the FAX, press **[Function], [1], [8]**.
For the MFC, press **[Function], [1], [1], [8]**.
- 2 Press **[←]** or **[→]** to select ON (or OFF) and press **[Set]**.
- 3 Press **[Stop]** to exit.

 For FAX 5750 and MFC 8700, the factory default setting for Cassette #2 is ON.

Printing a Reduced Incoming Document

You can always reduce the size of an incoming fax to a fixed percentage, regardless of the size of the paper (up to legal) in your machine. If you choose AUTO, your machine chooses the level of reduction for you.

For the FAX 4750, FAX 5750, MFC 8600 and MFC 8700 only, after you connect Cassette #2, you can select the reduction ratio for each cassette.

- 1 For the FAX, press **[Function]**, **[2]**, **[5]**.
For the MFC, press **[Function]**, **[1]**, **[2]**, **[5]**.
- 2 If you have the Cassette #2 for your FAX 4750, FAX 5750, MFC 8600 or MFC 8700, press **[←]** or **[→]** to select CASSETTE #1 or CASSETTE #2 and press **[Set]**.
- 3 Use **[←]** or **[→]** to select the reduction ratio you want (AUTO, 93%, 87% or 75%) and press **[Set]**.
Choose 100% if you don't want a reduction.
- 4 Press **[Stop]** to exit.

5. REDUCTION



Cassette #2 can be purchased for the FAX 4750 and the MFC 8600.

Recommended Reductions

If your paper is letter size (8.5" x 11"), and the incoming fax is
letter size, select 93%
A4 size, select 87%
legal size, select 75%.

If your paper is A4 (8.2" x 11.6"), and the incoming fax is
letter size, select 100%
A4 size, select 93%

If your paper is legal size (8.5" x 14"), and the incoming fax is
letter and A4 size, select 100%
legal size, select 93%.

Setting Paper Size

You can use three sizes of paper for printing your faxes: letter, legal and A4. When you change the size of paper you have loaded in the machine, you will need to change the setting for the paper size, so your machine will know how to fit the incoming fax on the page. You can also select the level of page reduction to fit on the paper in your machine.

For the FAX 4750, FAX 5750, MFC 8600 and MFC 8700 only, after you connect Cassette #2, you can select the paper size for each cassette.

- 1 For the FAX, press **[Function]**, **[2]**, **[6]**.
For the MFC, press **[Function]**, **[1]**, **[2]**, **[6]**.

6. PAPER

- 2 If you have the Cassette #2 for your FAX 4750, FAX 5750, MFC 8600 or MFC 8700, press **[←]** or **[→]** to select **CASSETTE #1** or **CASSETTE #2** and press **[Set]**.

CASSETTE #2
SELECT ← → & SET

- 3 Press **[←]** or **[→]** to select **LETTER**, **LEGAL** or **A4** (for the cassette you selected in Step 2) and press **[Set]**.

- 4 Press **[1]** to change the reduction setting
—OR—
Press **[2]** to go to Step 6.

CHANGE REDUCTION
1. YES 2. NO

- 5 Press **[←]** or **[→]** to select **AUTO**, **100%**, **93%**, **87%** or **75%** and press **[Set]**.
- 6 Press **[Stop]** to exit.



Cassette #2 can be purchased for the FAX 4750 and the MFC 8600.

Setting Cassette Usage (For FAX 4750, FAX 5750, MFC 8600 and MFC 8700 Only)

The default setting of AUTO allows your machine to choose Cassette #2 if paper is out in Cassette #1 or if incoming faxes will fit best on the paper in Cassette #2. Choose CASSETTE#1 ONLY or CASSETTE#2 ONLY if you want to keep special paper in the other cassette and control when it is used.

- 1 For the FAX, press **[Function]**, **[2]**, **[6]**.
For the MFC, press **[Function]**, **[1]**, **[2]**, **[6]**.
- 2 Press **[←]** or **[→]** to select **CASSETTE USAGE** and press **[Set]**.

- 3 Press **←** or **→** to select **AUTO**, **CASSETTE#1 ONLY** or **CASSETTE#2 ONLY** and press **Set**.
- 4 Press **Stop** to exit.

Setting the Print Density

You can adjust the print density, by making your printed documents darker or lighter.

- 1 For the FAX, press **Function**, **2**, **7**.
For the MFC, press **Function**, **1**, **2**, **7**.
- 2 Press **←** to make print lighter, or **→** to make print darker.
- 3 Press **Stop** to exit.

Toner Save

You can conserve toner using this feature. When you set Toner Save to ON, print appears somewhat lighter. The default setting is OFF.

- 1 For the FAX, press **Function**, **2**, **9**.
For the MFC, press **Function**, **1**, **2**, **9**.
- 2 Press **←** or **→** to turn ON (or OFF) and press **Set**.
- 3 Press **Stop** to exit.

Advanced Receiving Operations

Operation from Extension Telephone (For FAX 4750, MFC 8300, MFC 8600 and MFC 8700 only) or External Telephone

If you answer a fax call on an extension phone (or on an external phone in the EXT. jack), you can make your machine take over by using the Fax Receive Code. When you press the Fax Receive Code ***51**, the machine starts to receive a fax. (See Setting Ring Delay, page 5-2 and Easy Receive, page 5-3.)

If the machine answers a voice call and double-rings for you to take over, use the Telephone Answer Code **#51** to take the call at an extension phone.

If you answer a call, and no one is on the line, assume you're receiving a fax. At the machine's phone, press **Start**, then hang up. At an extension phone, press ***51**, wait for fax receiving tones (chirps), then hang up. At an external phone, press ***51** and wait for the phone to be disconnected (the screen displays RECEIVING) before you hang up. (Your caller will have to press **Start** to send the fax.)



For the FAX 5750, the Fax Receive Code and Telephone Answer Code can be used only from an external phone.

For FAX/TEL Mode Only

When the machine is in FAX/TEL mode, it will use the F/T Ring Time (double-ringing) to alert you to pick up a voice call. If you're at the machine, you can lift the handset to answer.

If you're at an extension phone, you'll need to lift the handset during the F/T Ring Time and press **#51** between the double rings. If no one is on the line, or if someone wants to send you a fax, send the call back to the machine by pressing ***51**.

Changing Remote Codes

Remote Codes might not work with some telephone systems. The preset Fax Receive Code is ***51**. The preset Telephone Answer Code is **#51**.



If you are always disconnected when accessing your external TAD remotely, try changing the Fax Receive Code from ***51** to **# # #** and the Telephone Answer Code from **#51** to **999**.

- 1 For the FAX, press **Function**, **2**, **4**.
For the MFC, press **Function**, **1**, **2**, **4**.
- 2 Press **←** or **→** to select ON
(or OFF) and press **Set**.
- 3 If you want to, enter a new
Fax Receive Code, and press **Set**.
- 4 If you want to, enter a new
Telephone Answer Code, and press **Set**.
- 5 Press **Stop** to exit.

```
REMOTE ACT.:ON?
SELECT ← → & SET
```

```
FAX RECEIVE:*51
ENTER & SET
```

```
TEL ANSWER:#51
ENTER & SET
```

Printing a Fax in Memory

If you have Fax Storage ON for remote retrieval you can still print a fax in the memory when you are at your MFC. (See Setting Fax Storage, page 9-2.)

- 1 For the FAX, press **Function**, **8**, **4**.
For the MFC, press **Function**, **1**, **8**, **4**.
- 2 Press **Start**.
- 3 After printing is finished, press **Stop** to exit.

Polling

Polling is the process of retrieving faxes from another fax machine. You can use your machine to “poll” other machines, or you can have someone poll your machine.

All parties involved in polling need to set up their fax machines to accommodate polling. When someone polls your machine to receive a fax, they pay for the call; if you poll someone’s fax machine to receive a fax, you pay for the call.



Some fax machines do not respond to the polling function.

Setting Up Polling Receive

Polling Receive is when you call another fax machine to receive a fax from it. (See Canceling a Scheduled Job, page 5-10.)

- 1 For the FAX, press **Function**, **2**, **8**.
For the MFC, press **Function**, **1**, **2**, **8**.
- 2 Press **←** or **→** to choose ON (or OFF) and press **Set**.
- 3 Enter the fax number you are polling.
- 4 Press **Start**. The screen displays DIALING.

```
POLLING RX:OFF?  
SELECT ← → & SET
```

```
ENTER FAX NO.  
PRESS START KEY
```

Setting Up Sequential Polling Receive

Your machine can request documents from several fax units in a single operation. Afterward, a Sequential Polling Report will be printed. (See Canceling a Scheduled Job, page 5-10.)

- 1 For the FAX, press **Function**, **2**, **8**.
For the MFC, press **Function**, **1**, **2**, **8**.
- 2 Press **←** or **→** to select Polling ON (or OFF) and press **Set**.
- 3 Specify the destination fax machines you wish to poll, using One Touch, Speed Dial, a Group or the dial pad. You must press **Help/Broadcast** between each location.
- 4 Press **Start**.

```
POLLING RX:OFF?  
SELECT ← → & SET
```

```
ENTER FAX NO.  
PRESS START KEY
```

Your machine will poll each number or group member in turn for a document.

```
DIALING #XX
```

Canceling a Scheduled Job

You can cancel tasks you've scheduled, such as Delayed Fax or Polling Transmit.

- 1 For the FAX, press **Function**, **4**.
For the MFC, press **Function**, **1**, **4**.

4. REMAINING JOBS

Any waiting jobs will appear on the display. If no jobs are waiting, the screen displays NO JOB WAITING.

- 2 If you have more than two jobs waiting, use **←** or **→** to select the job you want to cancel and press **Set**.

—OR—

If you have only one job waiting, go to Step 3.

- 3 Press **1** to cancel—OR—Press **2** to exit without canceling.
To cancel another job, return to Step 2.

- 4 Press **Stop** to exit.



You can check which jobs are waiting in memory by following Steps 1 and 2 above.

Setting Multi-Function Link® Pro Mode (For MFC 8600 and MFC 8700 Only)

If you connect your machine to your PC, you can receive faxes into your PC. After completing all setup for Multi-Function Link® Pro mode, you can turn on Multi-Function Link® Pro to reroute incoming faxes to your PC.

- 1 For the FAX, press **Function**, **2**, **0**.
For the MFC, press **Function**, **1**, **2**, **0**.

0. MF LINK

- 2 Press **←** or **→** to select ON (or OFF) and press **Set**.

- 3 Press **Stop** to exit.

Distinctive Ringing

This machine feature lets you use the Distinctive Ringing subscriber service offered by some telephone companies, which allows you to have several telephone numbers on one phone line. Each phone number has its own Distinctive Ringing pattern, so you'll know which phone number is ringing. This is one way you can have a separate phone number for your machine.

Your machine has a Distinctive Ringing function, allowing you to dedicate one phone number just for receiving faxes. You'll need to follow the directions below to "register" the new Distinctive Ringing pattern, that was assigned by the Telephone Company, so your machine can recognize its incoming calls.



You can change or cancel the Distinctive Ringing pattern at any time. You can switch it off temporarily, then turn it back on. When you get a new fax number, be sure to you reset this function.





You can register only one Distinctive Ringing pattern with the machine. Some ringing patterns cannot be registered.

- The machine will answer only calls to its registered number.
- You will not hear the first two rings of all incoming calls on the machine.
- To have your TAD answer only the main number, the machine must be in Manual Mode.
- In FAX/TEL or FAX mode, the machine will answer all numbers on the phone line.

Registering your Distinctive Ringing Pattern

If you are not sure which ring pattern you have, call your telephone company. Then assign that pattern in the steps below.

- 1 Set the machine to **MANUAL** mode.
- 2 For the FAX, press **[Function]**, **[0]**, **[1]**.
For the MFC, press **[Function]**, **[1]**, **[0]**, **[1]**.
The screen displays the current setting of this feature.
- 3 Press **[←]** or **[→]** to select the SET Mode.
- 4 Press **[Set]** when the screen displays DISTINCTIVE:SET?
- 5 Press **[←]** or **[→]** to select the prestored ring pattern you want to assign and press **[Set]**. (You will hear each pattern as you scroll through the four patterns. Be sure to choose the pattern assigned by the Telephone Company.)

Ring Pattern	Rings	
1	long - long	
2	short - long - short	
3	short - short - long	
4	very long (normal pattern)	

- 6 Press **[Stop]** to exit.

Once you've registered the Distinctive Ringing pattern in your machine, you can turn this feature on or off. To change the setting, follow steps 1 to 4 above, selecting ON (or OFF).

After you're sure you've set up Distinctive Ring properly and it is working, you can reconnect a TAD or have Voice Mail turned back on.

Caller ID

The Caller ID feature of this machine lets you use the Caller ID subscriber service offered by many local phone companies. This service provides you, by means of the screen display, the name or telephone number of your caller as the line rings. (See Printing Caller ID List, page 5-14.)

After a few rings, the screen displays the telephone number of your caller (or name, if available). Once you pick up the handset, the Caller ID information disappears from the screen, but the call information remains stored in the Caller ID memory.

- You will see the first 16 characters of the number or name.
- OUT OF AREA display means call originates outside your Caller ID service area.
- PRIVATE CALL display means the caller has intentionally blocked transmission of information.
- CALL PICKUP display remains on the screen when no Caller ID information was transmitted.



If both the name and number are received, the screen displays only the name. You can print a list of Caller ID information received by your machine.

Caller ID service varies with different carriers. Call your local phone company to determine the kind of service available in your area.

Viewing Caller ID List

Caller ID memory stores information for up to thirty calls; when the thirty-first call comes in, information about the first call is erased. You can scroll through Caller ID information to review those calls made to your machine.

- 1 For the FAX, press **[Function]**, **[0]**, **[2]**.
For the MFC, press **[Function]**, **[1]**, **[0]**, **[2]**.
- 2 Press **[←]** or **[→]** to select DISPLAY #? and press **[Set]**.
If the name was not received, it will not be displayed.
- 3 Press **[←]** or **[→]** to scroll through the Caller ID memory to select the Caller ID you want to view and press **[Set]**.
The next screen shows the caller's telephone number and the date and time of the call.
- 4 Press **[←]** or **[→]** to return to the Caller ID listing—**OR**—Press **[Stop]** to exit.

Clearing a Caller ID Stored in Memory


For effective use of the memory, we recommend that you clear the Caller IDs stored in memory by pressing **Clear** when the display shows each caller ID number or name.

Printing Caller ID List

- 1 For the FAX, press **Function**, **0**, **2**.
For the MFC, press **Function**, **1**, **0**, **2**.
- 2 Press **←** or **→** to select PRINT REPORT? and press **Set**.
- 3 Press **Start**.

Call Waiting Caller ID (For FAX 4750, MFC 8300, MFC 8600 and MFC 8700)

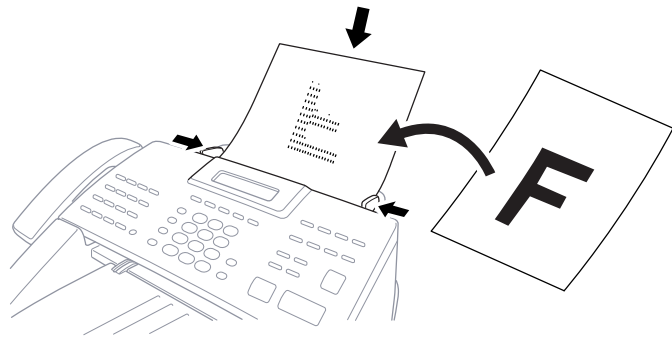
The Call Waiting Caller ID feature lets you use the Call Waiting Caller ID service offered by many local telephone companies. The feature displays the telephone number (or name, if available) of Call Waiting callers on your machine's screen.

- 1 To answer a Call Waiting signal while you're talking on the phone, ask the other party if you can put them on Hold a minute to catch the other call. The screen displays the Caller ID.
 - 2 Press **Speed Dial** to switch to the second call.
 - 3 To switch back to the first call, press **Speed Dial** again.
-  Either caller can hang up at any time. However, if you hang up you will disconnect both callers.

6 Setup Send

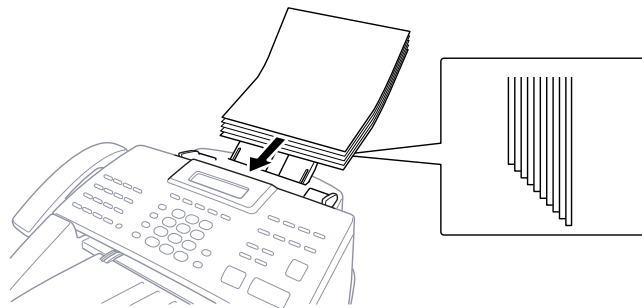
Before You Begin

- Documents must be between 5.8 and 8.5 inches wide, and 3.9 and 14.1 inches long. Your machine can scan an image only 8.15 inches wide, regardless of how wide the paper is.
- Make sure you insert documents **face down, top edge first**.
- Adjust the paper guides to fit the width of your document.



- The **MFC 8300 and MFC 8600's ADF** (automatic document feeder) can hold up to 30 pages, feeding each one individually through the machine. Use standard (17 lb–24 lb) paper when using the ADF. If you're using heavier paper, feed each sheet individually to prevent paper jams.
- The **FAX 4750, FAX 5750 and MFC 8700's ADF** can hold up to 50 pages if you stagger the pages and meet the following conditions:
 - Temperature: 68°F – 86°F (20°C – 30°C)
 - Humidity: 50% – 70%
 - Paper: Xerox 4200 (20LB/LTR),

Fan the paper, then stagger the pages in the document feeder as shown below:



- ⊘ **DO NOT** use curled, wrinkled, folded or ripped paper, or paper with staples, paper clips, paste or tape attached. **DO NOT** use cardboard, newspaper or fabric.
- Make sure documents written in ink are completely dry.
- Press **Resolution** (before you send the fax) to select the resolution for the document you're sending. (See Resolution, page 6-8.)



If you send faxes from a computer on the same phone line and your Brother machine intercepts them, set Easy Receive to OFF.

Sending Faxes with Multiple Settings

When you send a fax you can choose any combination of the available settings: add a coverpage and select a comment; set the contrast or resolution; send using overseas mode, call reservation or delayed fax timer, polling transmission or real time transmission. After each function is accepted, the display will ask if you want to enter other settings:

ACCEPTED

OTHER SETTINGS?
1.YES 2.NO

Press **1** if you want to select additional settings. The display returns to the SETUP SEND menu—**OR**—

Press **2** if you are finished choosing settings, and go to the next step.

Manual Transmission

Manual transmission lets you hear the dial tone, ringing and fax receiving tones before sending the fax.

- 1 Insert the document face down in the feeder.
- 2 Pick up the handset and listen for a dial tone—**OR**—
Press **Hook** and listen for a dial tone.
- 3 Enter the fax number you want to call (you can enter the digits using the dial pad, or you can enter a One Touch or Speed Dial number or you can call from the Tel-index).
(See One Touch Dialing, page 8-1.)
- 4 When you hear the fax tone, press **Start**.
- 5 If you're using the handset, hang up.

Automatic Transmission

This is the easiest way to send a fax. **IMPORTANT:** Do **not** pick up the handset, or press **Hook**.

- 1 Insert the document face down in the feeder.
- 2 Enter the fax number using One Touch, Speed Dial, Tel-index or the dial pad.
(See Speed Dialing, page 8-2.)
- 3 Press **Start**.

Manual and Automatic Fax Redial


*If you're sending a fax manually and the line is busy, after you disconnect the call press **Redial/Pause** to retry the number.*

If you're sending a fax automatically and the line is busy, the machine will redial automatically, up to three times at 5 minute intervals.

Dual Access


You can scan *up to* 50 documents into the fax memory, even while the machine is receiving or sending another fax (from memory). You can set temporary settings for each fax you're scanning, except Timer and Polling.

If you try to scan in and store a 51st fax, the machine will send it immediately, without storing it in memory.

 If you get a MEMORY FULL message while scanning the first page of a fax, press **[Stop]** to cancel scanning. If you get a MEMORY FULL message while scanning in a subsequent page, you'll have the option to press **[Start]** to transmit the pages scanned so far, or to press **[Stop]** to cancel the operation.

- 1 Make sure the document feeder is empty.
- 2 Place the document in the feeder.
- 3 Enter the fax number.
- 4 Press **[Start]**. The machine starts scanning the document and the screen displays the job number (#XX) of the fax and how much memory is available. Then the machine starts dialing. You can immediately repeat steps 1 through 4 for the next fax.

 Your machine normally operates in Dual Access mode. However, you can override Dual Access by using Real Time Transmission.

 *The number of documents you can scan into memory varies with the data they contain.*

Real Time Transmission

When Memory is full, the machine cannot continue to scan documents into memory before sending. However, you can turn on REAL TIME TX; place the documents in the feeder and enter the fax number. As soon as the phone line is free, the machine starts dialing and sending the fax.

- 1 Place the document in the feeder.
- 2 For the FAX, press **[Function]**, **[3]**, **[9]**.
For the MFC, press **[Function]**, **[1]**, **[3]**, **[9]**.
- 3 To change the default setting, press **[←]** or **[→]** to select ON (or OFF) and press **[Set]**. Go to Step 5—**OR**—
For the next fax transmission only, press **[←]** or **[→]** to select NEXT FAX ONLY and press **[Set]**.
- 4 For the next fax only, press **[←]** or **[→]** to select ON (or OFF) and press **[Set]**.

9. REAL TIME TX

REAL TIME: ON?
SELECT ← → & SET

- 5 Press **[1]** if you want to select additional settings. The display returns to the SETUP SEND menu—**OR**—Press **[2]** if you are finished choosing settings and go to Step 6.
- 6 Enter fax number and press **[Start]**.

Checking the Jobs Status

Check which jobs are still waiting in memory to be sent. (If no jobs are waiting, the screen displays NO JOB WAITING.) (See Canceling a Job in Memory on this page.)

- 1 For the FAX, press **[Function]**, **[4]**.
For the MFC, press **[Function]**, **[1]**, **[4]**.
- 2 If you have multiple jobs waiting, use **[←]** or **[→]** to scroll through the list.
- 3 Press **[Stop]** to exit.

Canceling Jobs in Memory

You can cancel tasks you've scheduled, such as Delayed Fax, Polling Receive, Polling Transmit or faxes in memory waiting to be sent. If no jobs are waiting, the screen displays NO JOB WAITING.

- 1 For the FAX, press **[Function]**, **[4]**.
For the MFC, press **[Function]**, **[1]**, **[4]**.
Any waiting jobs appear on the display.
- 2 If you have more than two jobs waiting, use **[←]** or **[→]** to select the job you want to cancel and press **[Set]**.
—**OR**—
If you have only one job waiting, go to step 3.
- 3 Press **[1]** to cancel—**OR**—Press **[2]** to exit without canceling.
To cancel another job, return to step 2.
- 4 Press **[Stop]** to exit.

```
4.REMAINING JOBS
```

```
#02 SALES REPORT  
1.CLEAR 2.EXIT
```

Basic Sending Operations

Composing Electronic Cover Page

The cover page is generated at the receiving party's machine. Your cover page includes the name stored in the One Touch or Speed Dial memory. If you're dialing manually, the name is left blank. (See One Touch and Speed Dialing, pages 8-1, 8-2.)

The cover page indicates your Station ID, and the number of pages you're sending. If you have Cover Page Setup set to ON, the number of pages remains blank. (For the FAX, **Function** 3 1. For the MFC, **Function** 1 3 1.) (See Setting Station ID, page 4-2.)

You can select a comment to include on your cover page.

1. COMMENT OFF

2. PLEASE CALL

3. URGENT

4. CONFIDENTIAL

Instead of using one of the comments above, you can enter up to two customized messages, each 27 characters long. Use the chart on page 4-2 to help enter characters. (See Composing Your Own Comments, page 6-6.)

5. <USER DEFINED>

6. <USER DEFINED>

Most of the SETUP SEND functions are temporary settings that allow you to make adjustments for each document you send. However, so you can set up your cover page and cover page comments in advance, the Cover Page Setup and Cover Page Message functions change the default settings.

Composing Your Own Comments

You can set up two custom comments.

- 1 For the FAX, press **[Function]**, **[3]**, **[2]**.
For the MFC, press **[Function]**, **[1]**, **[3]**, **[2]**.
- 2 Use **[←]** or **[→]** to choose position 5 or 6 for your customized comment and press **[Set]**.
- 3 Use the dial pad to enter your customized comment and press **[Set]**.
(See Entering Text, page 4-2.)
- 4 Press **[1]** if you want to select additional settings. The display returns to the SETUP SEND menu—**OR**—Press **[2]** to exit.

2. COVERPAGE MSG

ACCEPTED

OTHER SETTINGS?
1. YES 2. NO

Cover Page for Next Fax Only

Make sure the Station ID is set up. (See page 4-2.) This feature does not work without the Station ID.

You can set the fax to send a cover page with a particular document. This cover page will include the number of pages in your document.

- 1 Insert the document in the feeder.
- 2 For the FAX, press **[Function]**, **[3]**, **[1]**.
For the MFC, press **[Function]**, **[1]**, **[3]**, **[1]**.
- 3 When the screen displays **NEXT FAX ONLY?**, press **[Set]**.
- 4 Press **[←]** or **[→]** to select **ON** (or **OFF**) and press **[Set]**.
- 5 Press **[←]** or **[→]** to select one of the standard or custom comments and press **[Set]**.
- 6 Enter two digits to indicate the number of pages you are sending and press **[Set]**.
(Enter **[0]** **[0]** to leave the number of pages blank.) If you make a mistake, press **[←]** to back up and reenter the number of pages.
- 7 Press **[1]** if you want to select additional settings. The display returns to the SETUP SEND menu—**OR**—Press **[2]** if you are finished choosing settings, and go to step 8.
- 8 Enter the fax number you're calling.
- 9 Press **[Start]**.

Always Send Cover Page

Make sure Station ID is set up. This feature does not work without the Station ID. (See Setting Station ID, page 4-2.)

You can set the machine to send a cover page whenever you send a fax. The number of pages in your fax is not included when you use this setting.

- 1 For FAX, press **[Function]**, **[3]**, **[1]**.
For MFC, press **[Function]**, **[1]**, **[3]**, **[1]**.

- 2 Press **[←]** or **[→]** to select **COVERPAGE: ON?** and press **[Set]**.

```
COVERPAGE:OFF?  
SELECT ← → & SET
```

- 3 If you selected ON, press **[←]** or **[→]** to select one of the standard or custom comments and press **[Set]**.

```
COVERPAGE:ON?  
SELECT ← → & SET
```

- 4 Press **[1]** if you want to select additional settings. The display returns to the SETUP SEND menu—**OR**—Press **[2]** to exit if you are finished choosing settings.

Using a Printed Cover Page

If you prefer using a printed cover page that you can write on, you can print the sample page and attach it to your fax.

- 1 For the FAX, press **[Function]**, **[3]**, **[1]**.
For the MFC, press **[Function]**, **[1]**, **[3]**, **[1]**.
- 2 Press **[←]** or **[→]** to select **PRINT SAMPLE?** and press **[Set]**.
- 3 Press **[Start]**. Your machine prints a copy of your cover page.

```
==== COVER PAGE ====  
  
TO: _____  
  
FROM: _____  
FAX: _____  
TEL: _____  
  
PAGE[S] TO FOLLOW  
  
COMMENT:
```

Contrast

If your document is very light or very dark, you might want to set the contrast. Use S.LIGHT to send a very light document. Use S.DARK to send a very dark document.

- 1 Insert the document, face down, in the feeder.
- 2 For the FAX, press **[Function]**, **[3]**, **[3]**.
For the MFC, press **[Function]**, **[1]**, **[3]**, **[3]**.
- 3 Use **[←]** or **[→]** to select AUTO, S.LIGHT or S.DARK and press **[Set]**.
- 4 Press **[1]** if you want to select additional settings. The display returns to the SETUP SEND menu—**OR**—Press **[2]** if you are finished choosing settings, and go to step 5.
- 5 Enter a fax number and press **[Start]** to send a fax.

Resolution

When you have a document in the feeder, you can use the **[Resolution]** key to change the default setting. Press **[Resolution]** continuously until you see the lights change to the setting you want. For standard, turn Fine & S.Fine lights off. For Photo, turn them both on. (See Multiple Resolution Transmission, page 6-12.)

Standard—Suitable for most typed documents.

Fine—Good for small print; transmits a little slower than standard resolution.

Super Fine—Good for small print or artwork; transmits slower than fine resolution.

Photo—Use when document has varying shades of gray; slowest transmission time.

Canceling a Job While Scanning the Document


You can cancel a job while you are scanning it into memory by pressing **[Stop]**. Eject the document by pressing **[Stop]** again.

Advanced Sending Operations



Overseas Mode





After you send a fax using this feature, the feature turns itself off.

- 1 Insert document.
- 2 For the FAX, press **Function**, **3**, **5**.
For the MFC, press **Function**, **1**, **3**, **5**.

- 3 Press **←** or **→** to select ON (or OFF) and press **Set**.
- 4 Press **1** if you want to select additional settings. The display returns to the SETUP SEND menu—**OR**—Press **2** if you are finished choosing settings and go to step 5.
- 5 Enter the fax number you're calling.
- 6 Press **Start**.

Call Reservation

You can send a fax and let the other party know that you want to have a conversation after the fax transmission is complete. The other fax machine will ring as if it were receiving a telephone call; if the other party picks up the handset, your machine will ring. Lift the handset to speak.

If the other party does not answer the Call Reservation and the Call Back Message feature is set to ON, your machine leaves a message to call you.

- 1 Insert the document in the feeder.
- 2 For the FAX, press **Function**, **3**, **6**.
For the MFC, press **Function**, **1**, **3**, **6**.

- 3 Press **←** or **→** to select CALL RESERVE:ON? (or OFF) and press **Set**.

The screen displays the current setting for Call Back Message.

- 4 Press **←** or **→** to select ON (or OFF) and press **Set**.

- 5 Press **1** if you want to select additional settings. The display returns to the SETUP SEND menu—**OR**—Press **2** if you are finished choosing settings, and go to step 6.
- 6 Enter the fax number.
- 7 Press **Start**.
- 8 If you've set Call Reservation to ON, pick up your handset if the machine rings.



- ⊘ You cannot use auto redial with Call Reservation. You cannot use Call Reservation with Delayed Transmission or with Polling. You must register your Station ID to set Call Back Message to ON.

Print Sample Call Back Message

- 1 For the FAX, press **[Function]**, **[3]**, **[6]**.
For the MFC, press **[Function]**, **[1]**, **[3]**, **[6]**.
- 2 Press **[←]** or **[→]** to select **PRINT SAMPLE?** and press **[Set]**.
- 3 Press **[Start]**.

Delayed Fax

During the day you can store *up to* 50 documents into memory for delayed sending. Transmission of these documents will begin at the time of day you enter in Step 3. If you have set up in the Delayed Timer function, page 4-6, you can accept it in Step 3 or enter another time for this fax.

- 1 Insert the document in the feeder.
- 2 For the FAX, press **[Function]**, **[3]**, **[7]**.
For the MFC, press **[Function]**, **[1]**, **[3]**, **[7]**.
- 3 Accept the displayed time or enter another time for this fax and press **[Set]**.
- 4 Press **[1]** to leave the originals waiting in the document feeder—**OR**—Press **[2]** to scan the document into memory. 
(See Interrupting Delayed Fax and Polling Transmit Jobs, page 6-13.)
- 5 Press **[1]** if you want to select additional settings. The display returns to the SETUP SEND menu—**OR**—Press **[2]** if you are finished choosing settings and go to step 5.
The screen will prompt you to enter the fax number. 
- 6 Enter the fax number.
- 7 Press **[Start]**. The machine will wait to send the fax at the time you set up. (For the FAX, **[Function]**, **[1]**, **[6]**. For the MFC, **[Function]**, **[1]**, **[1]**, **[6]**.)

- 🔑 *The number of documents you can scan into memory varies with the data they contain.*

Delayed Batch Transmission

Before sending the delayed faxes, your Brother machine will economize by sorting all the documents in memory by destination and scheduled time. All delayed faxes scheduled at the same time to the same fax number will be sent as one transmission.

- 1 For the FAX, press **[Function]**, **[3]**, **[0]**.
For the MFC, press **[Function]**, **[1]**, **[3]**, **[0]**.
- 2 Press **[←]** or **[→]** to select ON (or OFF) and press **[Set]**.
- 3 Press **[Stop]** to exit.




```
BATCH TX: ON?  
SELECT ← → & SET
```

Broadcasting


Broadcasting is automatically sending the same fax message to multiple fax numbers. Using the **[Help/Broadcast]** key, you can include Groups, One Touch locations, up to 100 Speed Dial locations, and up to 50 manually dialed numbers (maximum of 182 locations if you did not use up any locations for Groups, access codes or credit card numbers). However, available memory will vary with the types of jobs in memory and the number of locations used for broadcasting. If you broadcast to more than the maximum locations available, you will not be able to set up transmissions using dual access and the timer. (See Setting Up Groups for Broadcasting, page 7-3.)

Although the easiest way to broadcast is to press Group keys, you can include One Touch, Speed Dial, and manually, dialed numbers in the same broadcast. You must press **[Help/Broadcast]** between each of these locations. Use the Telephone Index to help you choose the numbers easily.

After the broadcast is completed, a Broadcast Report will be printed automatically to let you know the results.

- To stop the broadcasting in progress, press **[Stop]**. The LCD display asks if you want to cancel all locations or the location that is being sent.
-  Enter the long dialing sequence numbers as you normally would, but keep in mind that each key counts as one location, so the number of locations you can call become limited.
- If the line is busy or for some other reasons a connection could not be made while broadcasting, the machine will redial the number automatically.
 - If the memory is full, press **[Stop]** to abort the job or press **[Start]** to send the portion that is in the memory (if more than one page has been scanned).


- 1 Insert the document into the feeder.
- 2 Enter a number using One Touch, Speed Dial, Group number, Tel-index or the dial pad. Example: Group number
- 3 Press **Help/Broadcast**.
- 4 Enter the next number. Example: Speed Dial
- 5 Press **Help/Broadcast**.
- 6 Enter the next fax number.
Example: Manual dialing, using the dial pad.
- 7 Press **Start**.

 Your machine will read the document into memory and then start sending faxes to all the numbers you entered.

Multiple Resolution Transmission




Use this feature to select separate resolution settings for each page of the fax you're sending. This could be useful if you're sending a fax with photos and letters, or some pages with small print and others with normal print. Resolution settings return to STANDARD after the fax is sent. (See Resolution, page 6-8.)

- 1 Insert the document in the feeder.
- 2 For the FAX, press **Function**, **3**, **4**.
For the MFC, press **Function**, **1**, **3**, **4**.
- 3 Use **←** or **→** to select resolution for page 1 and press **Set**.
- 4 Repeat Step 3 for subsequent pages.
- 5 Press **Stop** when you're finished.
- 6 Press **1** if you want to select additional settings. The display returns to the SETUP SEND menu—**OR**—Press **2** if you are finished choosing settings and go to Step 7.
- 7 Enter the fax number you're calling.
- 8 Press **Start**.

 If you want to copy a document using multiple resolutions, press **Copy** in step 7.


Setting Up Polling Transmit

Polling Transmit is when you set up your machine to wait with a document so another fax machine can retrieve it. (See Interrupting Delayed Fax and Polling Transmit Jobs on this page.)

- 1 Place the document to be retrieved in the feeder.
 - 2 For the FAX, press **Function**, **3**, **8**.
For the MFC, press **Function**, **1**, **3**, **8**.
 - 3 Press **←** or **→** to choose POLLED TX:ON? and press **Set**.

 - 4 Press **1** to select DOC if you want your machine to scan the printed document at the time it is polled—**OR**—Press **2** to select MEMORY.

 - 5 Press **1** if you want to select additional settings. The display returns to the SETUP SEND menu—**OR**—Press **2** if you are finished choosing settings and go to step 6.
 - 6 Press **Start**.
-  If you pressed **1** in Step 4, the printed document remains in the document feeder until your machine is polled. However, you can “interrupt” it to send another fax.

Interrupting Delayed Fax and Polling Transmit Jobs

You can send a fax or make a copy now, even if you have the machine set to send a fax later or to be polled. However, you cannot use automatic redial or the Function mode. (See Delayed Fax, page 6-10 and Setting Up Polling Transmit on this page.)

- 1 For the FAX, press **Function**, **5**.
For the MFC, press **Function**, **1**, **5**.
- 2 Wait 2 seconds, then remove the documents that are waiting in the feeder.
- 3 Place the “new” document you want to send now in the feeder.

- 4 Enter the new fax number for the documents you want to send now.
- 5 Press **Start**.
- 6 After the transmission is finished, place the “old” documents back into the feeder.
- 7 To restore the Delayed Fax and/or Polling.
For the FAX, press **Function**, **5**.
For the MFC, press **Function**, **1**, **5**.

7 Setup Auto Dial Numbers

Storing Numbers for Easy Dialing

You can set up your machine to do three types of easy dialing: One Touch, Speed Dial, and Groups for Broadcasting of faxes.

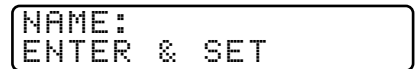
Storing One Touch Dial Numbers

You can store 32 fax/phone numbers that you can dial by pressing one key (and **[Start]**). To access numbers 17 to 32, hold down **[Shift]**. You also can store names with these numbers. When you press a One Touch dial location, the screen displays the name or number as the call is dialed. (See One Touch Dialing, page 8-1.)

One Touch keys are not the dial pad keys. They are the 16 keys (numbers 01–32) located to the left of the dial pad.

- 1 For the FAX, press **[Function]**, **[6]**, **[1]**.
For the MFC, press **[Function]**, **[1]**, **[6]**, **[1]**.
- 2 Press the One Touch key where you want to store a number.
(One Touch key **[01]** has been pre-programmed for the Brother Fax-Back System (USA only). You can override it if you wish.) The screen displays the location you selected.
- 3 Enter a number (up to 20 digits) and press **[Set]**.
(See Changing One Touch and Speed Dial Numbers, page 7-4.)

If you want to enter a pause in the dialing sequence (for example, to access an outside line), press **[Redial/Pause]** as you're entering digits.





NAME:
ENTER & SET

Pressing **[Redial/Pause]** enters a 3.5 second pause when the number is dialed, and a dash appears on the screen.

- 4 Use the dial pad to enter the name (up to 15 characters) and press **[Set]**. You can use the chart on page 4-2 to help you enter letters—**OR**—Press **[Set]** to store the number without a name.
- 5 **[←]** or **[→]** to select the type you want and press **[Set]**.

FAX	a fax only number
TEL	a telephone (voice) number
FAX/TEL	both fax and telephone (voice) number
- 6 Return to Step 2 to store another One-Touch number—**OR**—Press **[Stop]** to exit.

 If you need to store a pause longer than 3.5 seconds, press **[Redial/Pause]** two or more times.

 Even if you lose electrical power, numbers stored in memory will *not* be lost.

Storing Speed Dial Numbers

You can store Speed Dial numbers, so you can dial by pressing only three keys (and **[Start]**). There are 100 Speed Dial locations. Even if you lose electrical power, numbers stored in memory will not be lost. (See Speed Dialing, page 8-2.)

- 1** For the FAX, press **[Function]**, **[6]**, **[2]**.
For the MFC, press **[Function]**, **[1]**, **[6]**, **[2]**.

- 2** Use the dial pad to enter a two-digit location (00–99) and press **[Set]**.

```
SPEED-DIAL? #  
ENTER & SET
```

- 3** Enter the number (up to 20 digits) and press **[Set]**.

```
#05:  
ENTER & SET
```

- 4** Use the dial pad to enter the name (up to 15 characters) and press **[Set]**.
You can use the chart on page 4-2 to help you enter letters—**OR**—Press **[Set]** to store the number without a name.

```
NAME:  
ENTER & SET
```

- 5** **[Left Arrow]** or **[Right Arrow]** to select the type of number


FAX a fax number

TEL a telephone (voice) number

FAX/TEL both fax and telephone number


and press **[Set]**.

- 6** Return to Step 2 to store another Speed Dial number—**OR**—Press **[Stop]** to exit.

 Even if you lose electrical power, numbers stored in memory will *not* be lost.

Setting Up Groups for Broadcasting

Groups allow you to send the same fax message to many fax numbers by pressing only one One Touch Group key (and **[Start]**). **First**, you'll need to store each fax number as a One Touch or Speed Dial number. **Then**, you can combine them into a Group. *Each Group uses up a One Touch key.* Finally, you can have up to six small Groups, or you can assign up to 131 numbers to one large Group.

 You can include *up to 31* One Touch keys, and *up to 100* Speed Dial numbers. If you broadcast to more than the maximum locations available, you will be unable to set up transmissions using Dual Access and the Timer.

(See Storing One Touch Dial Numbers, page 7-1 and Storing Speed Dial Numbers, page 7-2.)

- 1 For the FAX, press **[Function]**, **[6]**, **[3]**.
For the MFC, press **[Function]**, **[1]**, **[6]**, **[3]**.

- 2 Select a One Touch key where you wish to store the Group number.
(For example, press One Touch key **[02]** for Group 1.)

SELECT ONE-TOUCH

- 3 Use the dial pad to enter the Group number and press **[Set]**.
(For example, press **[1]** for Group 1.)

SETUP GROUP:GO
ENTER & SET

- 4 To include One Touch or Speed Dial numbers in the Group, enter them as if you were dialing. For example, for One Touch key **[05]**, press One Touch key **[05]**. For Speed Dial location 09, press **[Speed Dial]**, then press **[0]**, **[9]** on the dial pad. The display shows ***05, #09**.

G01:*05#09
ENTER & SET


- 5 When you're finished adding numbers, press **[Set]**.

- 6 Use the dial pad and the chart on page 4-2 to enter a name for the group and press **[Set]**.
(For example, NEW CLIENTS)

NAME:
ENTER & SET

- 7 Press **[Stop]** to exit.

 You can print a list of all One Touch and Speed Dial numbers.
(See Chapter 10, Printing Reports.)

 If you lose electrical power, numbers stored in memory will *not* be lost.

 (See Broadcasting, page 6-11.)

Changing One Touch and Speed Dial Numbers

If you try to store a One Touch or Speed Dial number in a location where a number is already stored, the screen displays the current name stored at that location, then prompts you to either

```
*01: BROTHER  
1.CHANGE 2.EXIT
```

- 1 Press to change the number, or press to exit without changing it.
- 2 Enter a new number and press .
 - If you want to erase the number, press when the cursor is to the left of the digits.
 - If you want to change a digit, use or to position the cursor under the digit you want to change, then type over it.
- 3 Follow the directions from Step 4 for Storing One Touch Numbers or Storing Speed Dial Numbers.

8

Telephone Operations

Dialing Options

You can send faxes or make telephone calls by dialing manually or by using Tel-index, One Touch or Speed Dial memory.

Manual Dialing

Manual dialing is simply pressing all of the digits of the phone number.

- 1 Pick up the handset—**OR**—Press **[Hook]**.
- 2 When you hear a dial tone, dial the call using the dial pad.
- 3 If you pressed **[Hook]** to dial the call, pick up the handset when the other party answers. (The speaker works only one way; the other party won't be able to hear you unless you pick up the handset.)
- 4 To hang up, replace the handset.

One Touch Dialing


- 1 Pick up the handset—**OR**—Press **[Hook]**.
- 2 When you hear a dial tone, press the One Touch key of the location you want to call. (See Storing One Touch Dial Numbers, page 7-1.)
- 3 If you pressed **[Hook]** to dial the call, pick up the handset when the other party answers. (The speaker works only one way; the other party won't be able to hear you unless you pickup the handset.)
- 4 To hang up, replace the handset.



If you try to use a One Touch location with no number stored in it, you'll hear a warning sound, and screen will display NOT REGISTERED. The display will return to normal after 2 seconds.

If you are sending a fax, press **[Start]** after pressing the One Touch key. If you picked up the handset, press **[Start]** when the receiving fax machine answers with fax tones.

Speed Dialing


- 1 Pick up the handset—**OR**—Press **[Hook]**.
(See Storing Speed Dial Numbers, page 7-2.)
 - 2 When you hear a dial tone, press **[Speed Dial]**, then press the two-digit Speed Dial number.
 - 3 If you pressed **[Hook]** to dial the call, pick up the handset when the other party answers. (The speaker works only one way; the other party won't be able to hear you unless you pick up the handset.)
 - 4 To hang up, replace the handset.
-  If you are sending a fax, press **[Start]** after pressing the Speed Dial number. If you picked up the handset, press **[Start]** when the receiving fax machine answers with fax tones.

Dialing Access Codes and Credit Card Numbers

Sometimes you may want to choose from among several long distance carriers when you make a call. Rates may vary depending upon the time and destination. To take advantage of low rates, you can store the access codes or long-distance carriers as One Touch and Speed Dial numbers. You can store these long dialing sequences by dividing them and setting them up separately in any combination. You can even include manual dialing using the dial pad. The combined number will be dialed in the order you entered it, as soon as you press **[Start]**. (See Storing One Touch Dial Numbers, page 7-1.)

For example:

You store “555” on One Touch key **[03]** and “7000” on One Touch key **[02]**. If you press One Touch **[03]**, **[02]** and **[Start]** you can dial “555-7000”. To temporarily change a number, you can substitute part of the number with manual dialing using the dial pad. For example, to change the number to 555-7001 you could press One Touch **[03]** and press **[7]**, **[0]**, **[0]**, **[1]** using the dialing pad.

-  Pause after dialing Speed Dial numbers for the name to be displayed before you enter the next portion of the dialing sequence.

Hold

- 1 Press **[Hold]** to put a call on Hold.
- 2 You can replace the handset without disconnecting the call.
- 3 Pick up the machine's handset to release the call from Hold. Picking up an extension handset will not release the call from Hold.

Pause

Press **[Redial/Pause]** to insert a 3.5 second pause between numbers. If you are dialing overseas, you can press **[Redial/Pause]** as many times as needed to increase the length of the pause.

Fax Redial

*If you're sending a fax manually and the line is busy, press **[Redial/Pause]** to retry the number.*

If you're sending a fax automatically and the line is busy, the machine will redial automatically up to three times at 5 minute intervals.

Tone/Pulse

If you have pulse dialing service, but need to send tone signals (for telephone banking, for example), follow the directions below. If you have touch tone service, you do not need this feature to send tone signals.

- 1 Lift the handset.
- 2 Press **[#]**. Digits dialed after **[#]** will send tone signals.
- 3 When you hang up, the machine returns to pulse dialing service.

Searching Telephone Index

You can search for names you have stored in One Touch and Speed Dial memories. Names are stored alphabetically. (See Storing One Touch Dial Numbers, page 7-1 and Storing Speed Dial Numbers, page 7- 2.)

- 1 Press **[Tel-index]**, then enter the first letter of the name you're looking for.
- 2 Press **[←]** or **[→]** to search the memory.
- 3 When the screen displays the name you want to call, pick up the handset or press **[Hook]**.
- 4 Press **[Start]** to begin dialing.
- 5 If you pressed **[Hook]** to dial the call, pick up the handset when the other party answers. (The speaker works only one way; the other party won't be able to hear you unless you pickup the handset.)
- 6 When the call is over, hang up.

9 Remote Fax Options

Fax Forwarding/Paging



You cannot use Paging and Fax Forwarding at the same time.

You cannot use Paging and Fax Forwarding when “Fax Storage” is set to OFF.

Programming a Fax Forwarding Number

When Fax Forwarding is set to ON, your machine stores the received fax in memory, then dials the fax number you’ve programmed, and forwards the fax message.

- 1 For the FAX, press **[Function]**, **[8]**, **[1]**.
For the MFC, press **[Function]**, **[1]**, **[8]**, **[1]**.
- 2 Press **[←]** or **[→]** until the screen displays and press **[Set]**.
- 3 Enter the forwarding number (up to 20 digits) and press **[Set]**.
- 4 Press **[Stop]** to exit.

```
FAX FORWARD?  
SELECT ← → & SET
```

```
FWD#:  
ENTER & SET
```

Programming Paging Number

When Paging is selected, your machine dials the pager number you've programmed, and dials your Personal Identification Number (PIN) when connected, to activate your pager and let you know you have a fax message in the memory.

- 1 For the FAX, press **[Function]**, **[8]**, **[1]**.
For the MFC, press **[Function]**, **[1]**, **[8]**, **[1]**.

- 2 Press **[←]** or **[→]** until the screen displays and press **[Set]**.

```
PAGING?  
SELECT ← → & SET
```

- 3 Enter your pager phone number (up to 20 digits) followed by **##** and press **[Set]**.

```
PAG#:  
ENTER & SET
```

Do not include the area code if it is the same as that of your machine.

For example, **[1][8][0][0][5][5][5][1][2][3][4][#][#]**.

- 4 If your pager requires a PIN, enter the PIN, press **##**, press **[Redial/Pause]**, enter your fax number, then press **##** and press **[Set]**.

For example, **[1][2][3][4][5][#][Redial/Pause][1][8][0][0][5][2][1][2][8][4][6][#][#]**.

—OR—If you do not need a PIN, press **[Redial/Pause]**, enter the fax number, then press **##** and press **[Set]**.

For example, **[Redial/Pause][1][8][0][0][5][2][1][2][8][4][6][#][#]**.

- 5 Press **[Stop]** to exit.



You cannot change a Paging number or PIN remotely.

Setting Fax Storage

If you set Fax Storage to ON, you will be able to retrieve fax messages from another location, using Fax Forwarding, Paging, or Remote Retrieval functions. The screen will indicate when you have a fax stored in memory. (See Remote Retrieval, page 9-3.)

- 1 For the FAX, press **[Function]**, **[8]**, **[2]**.
For the MFC, press **[Function]**, **[1]**, **[8]**, **[2]**.

- 2 Press **[←]** or **[→]** to select ON (or OFF) and press **[Set]**.

```
FAX STORAGE:OFF?  
SELECT ← → & SET
```

- 3 Press **[Stop]** to exit.



If there are faxes in memory when you turn Fax Storage to OFF, the screen prompts you to erase any faxes in memory.

If you press **[1]**, all fax data is erased and Fax Storage is turned off. If you press **[2]**, data is not erased, and Fax Storage remains on.

```
ERASE ALL FAX?  
1.YES 2.NO
```


Changing Remote Retrieval Access Code


Enter your Remote Retrieval Access Code when the machine picks up your call, so you can access features remotely. The access code is preset to 1 5 9 *, but you can change this. The * cannot be changed.

- 1 For the FAX, press **[Function]**, **[8]**, **[3]**.
For the MFC, press **[Function]**, **[1]**, **[8]**, **[3]**.
- 2 Enter a three-digit number from 000 to 999 and press **[Set]**.
(Do not use the same digits that appear in your Fax Receive Code or Telephone Answer Code.)
- 3 Press **[Stop]** to exit.

Remote Retrieval

You can call your machine from any fax machine using touch tone and use a Remote Retrieval Access Code and other button presses to retrieve fax messages. Cut out the Remote Retrieval Access Card on the last page and keep it in your wallet as an aid.

Using Remote Retrieval Access Code

- 1 Dial your fax number from a fax machine using touch tone.
(See Changing Remote Retrieval Access Code on this page.)
 - 2 When your machine answers and beeps, immediately enter your Remote Retrieval Access Code (1 5 9 *).
 - 3 Your machine signals the kinds of messages received:
 - 1 long beep — Fax message(s)**
 - No long beeps — No messages**
 - 4 Your machine then prompts you with two short beeps to enter a command. If you wait longer than 30 seconds to enter a command, your machine hangs up. If you enter an invalid command, your machine beeps three times.
 - 5 Press **[9]** **[0]** to reset your machine when you're finished.
 - 6 Hang up.
-  If your machine is set to Manual mode, you can access your machine by waiting about 2 minutes, then entering the Remote Retrieval Access Code within 30 seconds.


Remote Commands

Follow the commands below to access features remotely. When you call your machine and enter your Remote Retrieval Access Code (1 5 9 *), the system will signal you with two short beeps to enter a remote command.

Remote Commands	Operation Details
95 Changing Fax Forwarding/Paging setting	
1 OFF	If you hear one long beep, the change is accepted. If you hear three short beeps, you cannot change it because the conditions have not been met. (Example: registering paging number). You can register your fax forwarding number by using 4. FAX FWD NO (see page 9-6). Once you have registered the number, your machine will change automatically to FAX FWD:ON mode. Then retrieve a Memory Status List by entering 961 (see page 9-6) to make sure that the Fax Forwarding number you registered is correct on the List.
2 Fax Forwarding	
3 Paging	
4 FAX FWD No.	
6 Fax Storage ON	
7 Fax Storage OFF	
96 Retrieve a fax	
1 Memory Status List	Enter the number of a remote fax machine to receive the Memory Status List or stored fax message(s). (See page 9-5.)
2 Retrieve all faxes	
3 Erase fax from the memory	If you hear one long beep, you can erase fax message(s) from the memory.
97 Check the receiving status	
1 Fax	You can check whether your machine has received any fax message(s). If yes, you will hear one long beep. If no, you will hear three short beeps.
98 Change Answer Mode	
1 TAD	If you hear one long beep, you can change the Answer Mode. If you hear three short beeps, you cannot change it.
2 FAX/TEL	
3 FAX	
90 Exit	After a long beep, you can exit remote retrieval.


Retrieving Memory Status List

You can retrieve the Memory Status List from a remote fax machine to see if you have any fax messages.

- 1 Dial your fax number.
 - 2 When you hear the beep, immediately enter your Remote Retrieval Access Code (1 5 9 *).
 - 3 When you hear two short beeps, use the dial pad to press 9 6 1.
 - 4 Using the dial pad, enter the number of the remote fax machine (up to 20 digits) where you want the Memory Status List forwarded, and then press # #.
-  You cannot use * and # as dial numbers. However, if you want to store a pause, press #.
- 5 After you hear your machine beep, hang up and wait.

Your machine calls the remote fax machine. The remote fax machine prints the Memory Status List.


Retrieving Fax Messages

- 1 Dial your fax number.
 - 2 When you hear the beep, immediately enter your Remote Retrieval Access Code (1 5 9 *).
 - 3 As soon as you hear two short beeps, use the dial pad to press 9 6 2.
 - 4 Using the dial pad, enter the number (up to 20 digits) of the remote fax machine where you want your fax messages forwarded, and then press # #.
-  You cannot use * and # as dial numbers. However, if you want to store a pause, press #.
- 5 After you hear your machine beep, hang up and wait.

Your machine calls the remote fax machine. The remote fax machine prints your fax messages.

Changing Fax Forwarding Number Remotely

You can change the default setting of your fax forwarding number from a remote fax machine.

- 1** Dial your fax number.
- 2** When you hear the beep, immediately enter your Remote Retrieval Access Code (1 5 9 *).
- 3** When you hear two short beeps, enter 9 5 4.
- 4** Enter the new telephone number of the remote fax machine (up to 20 digits) where you want your fax messages forwarded, and then press ##.
-  You cannot use * and # as dial numbers. However, if you want to store a pause, press #.
- 5** To retrieve the Memory Status List, when you hear two short beeps, use the dial pad to press 9 6 1.
- 6** Use the dial pad to enter the number of the remote fax machine (up to 20 digits), and then press ##.
- 7** After you hear your machine beep, hang up and wait.
Your machine calls the remote fax machine. The remote fax machine prints the Memory Status List showing the new forwarding number.
- 8** Check the forwarding number.
If the forwarding number is incorrect, return to Step 1 and reset it.

10 Printing Reports

MFC Settings and Activity

You can print the following lists and reports:

1. XMIT REPORT

Choose if you would like a Transmission Verification Report printed after every fax you send.

2. ACT. REPORT

Activity Report lists information about the last 50 incoming and outgoing faxes. TX means Transmit; RX means Receive.

3. ALL DIAL

Lists names and numbers stored in One Touch and Speed Dial memory, in numerical order.

4. TEL. INDEX

ALL DIAL list (above), alphabetically.


5. USER SETTINGS

Lists settings for INITIAL SETUP, SETUP RECEIVE, SETUP SEND, PRINT REPORTS REMOTE FAX OPT and MISCELLANEOUS.

6. MEMORY STATUS

Lists summary information and amount of occupied memory.

To Print a Report

- 1 For the FAX, press **[Function]**, **[7]**.
For the MFC, press **[Function]**, **[1]**, **[7]**.
- 2 Enter the number of the report you want to print.
For example, press **[4]** to print the TEL. INDEX.
-  For the Activity Report, also press **[←]** or **[→]** to select PRINT REPORT? and press **[Set]**.
- 3 Press **[Start]**.
- 4 Press **[Stop]** to exit.

Transmission Verification (Xmit) Report

You can use the Xmit Report as proof that you sent a fax. This report lists the time and date of transmission, and whether the transmission was successful.




When the feature is OFF, the report is printed automatically only if an error occurred during transmission. If the report indicates NG, send the document again. If the report indicates you should check the readability of certain pages, resend those pages.

If you typically send multiple faxes to the same destinations, you may need a reminder to identify each fax transmission. You can select OFF+IMAGE or ON+IMAGE to print a portion of the first page of the fax message on the report.

- 1 For the FAX, press **[Function]**, **[7]**, **[1]**.
For the MFC, press **[Function]**, **[1]**, **[7]**, **[1]**.
- 2 Press **[←]** or **[→]** to select OFF, OFF+IMAGE, ON or ON+IMAGE and press **[Set]**.
- 3 Press **[Stop]** to exit.

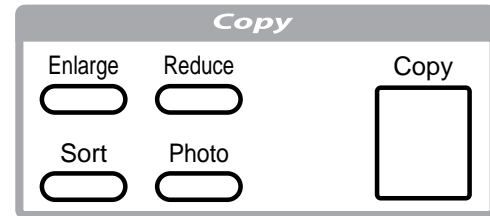
Activity Report Interval

You can set the machine to print activity reports at specific intervals (6, 12, 24 hours, 2, 4 or 7 days). If you set the interval to OFF, you can print the report by following the steps in the previous section.

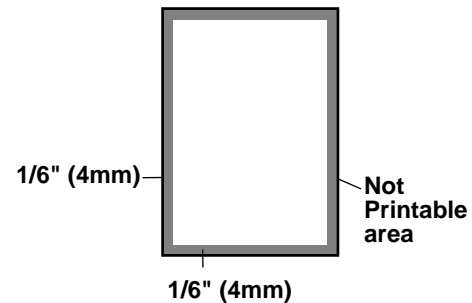
- 1 For the FAX, press **[Function]**, **[7]**, **[2]**.
For the MFC, press **[Function]**, **[1]**, **[7]**, **[2]**.
- 2 Press **[←]** or **[→]** to display INTERVAL? and press **[Set]**.

- 3 Press **[←]** or **[→]** to choose your setting and press **[Set]**.
(If you choose 7 days, the screen prompts you to choose a day at which to begin the 7-day countdown.)
- 4 Enter the time to begin printing, in 24-hour format and press **[Set]**.
(For example: enter 19:45 for 7:45 PM.)
- 5 Press **[Stop]** to exit.

Using Your Machine as a Copier

You can use your machine as a copy machine, making up to 99 copies at a time. The machine can stack the copies or collate (sort) them.



The printable area of your machine begins at approximately one-sixth inch (4mm) from the edge of the paper.



Copy Contrast (Temporary Setting)

If a document is in the feeder, you can adjust copy contrast to make copies darker or lighter.

- 1 For the FAX, press **[Function]**, **[0]**, **[3]**.
For the MFC, press **[Function]**, **[1]**, **[0]**, **[3]**.
- 2 Press **[←]** to make a copy lighter, or **[→]** to make a copy darker and press **[Set]**.
- 3 Press **[Stop]** to exit.
- 4 Press **[Copy]**.

3. COPY CONTRAST

Making a Single Copy

The default resolution for a single copy is Standard, which you can use for documents containing both text and photographs. You can also select S. Fine and Photo, as needed.

- 1 Insert document face down in the feeder.
- 2 Press **[Copy]**, then wait five seconds—**OR**—Press **[Copy]** again.
Do **NOT** pull on the paper while copying is in progress.

Making Multiple Copies

There are two ways to make multiple copies on your machine. You can choose whether the copies will be STACKED (all copies of page 1, then all copies of page 2, etc.), or SORTED (collated). The default resolution for multiple copies is Standard.

Stacking Multiple Copies

- 1 Insert document face-down in the feeder.
- 2 Press **Copy**.
- 3 Use the dial pad to enter the number of copies you want (up to 99).
- 4 Wait five seconds—**OR**—Press **Copy** again.

Sorting Multiple Copies

Sorting uses more memory than stacking. (See If You Get a Memory Full Message on this page.)

- 1 Insert document face-down in the feeder.
- 2 Press **Sort**.
- 3 Use the dial pad to enter the number of copies you want (up to 99).
- 4 Wait five seconds—**OR**—Press **Copy**.

If You Get a Memory Full Message

If the memory becomes full while your scanning a document to be copied the screen displays



```
MEMORY FULL P.01
PRESS STOP KEY
```

If you selected **Sort** or STACK after pressing **Copy** and get a MEMORY FULL message while you are scanning the first page, press **Stop** to cancel the job and make a single copy. If you selected **Sort** and the MEMORY FULL message appears while scanning subsequent pages, press **Copy** to copy the portion that is in memory—**OR**—press **Stop** to cancel. To restart the copy job using less memory, select STACKED copies.

Reducing and Enlarging Copies

AUTO sets the machine to calculate automatically the reduction ratio that fits the size of your paper. MANUAL allows you to enter a ratio from 50% to 200% in 1% increments.

- 1 Insert document face-down in the feeder.
- 2 Press **Enlarge** or **Reduce**.
- 3 Press **←** or **→** to select AUTO, 200%, 150%, 125%, 120%, 100%, 93%, 87%, 75%, 50% or MANUAL. (Enlargement *or* reduction ratios appear).
- 4 Press **Copy**.
- 5 Use the dial pad to enter the number of copies you want (up to 99).
- 6 Wait five seconds—**OR**—Press **Copy** again.

Copying a Photograph

You can copy a photograph by pressing **Photo**, without pressing **Resolution**.

- 1 Insert the photo(s) face-down in the feeder.
- 2 Press **Photo**.
- 3 Use the dial pad to enter the number of copies you want (up to 99).
- 4 Wait five seconds—**OR**—Press **Copy** again.

12 Setting Up Brother Machine and PC to Work Together

(For MFC 8300 Only)

This chapter is for the MFC 8300. If you have a MFC 8600 or MFC 8700, please see the Multi-Function Center Software Manual.

Using the Brother Machine with Your PC



The MFC 8300 is a 3 in 1 multi-function center—it's a Fax, Copier and Printer. Before you can print from Windows® on your PC, you must first follow the steps in this chapter to connect the Brother machine to your computer and to install the Brother printer driver from the bundled CD-ROM



If you have a FAX 4750, FAX 5750 or MFC 8300 and purchased the *optional* Multi-Function Link® Pro accessory (PCI-3CD), the machine becomes a 6 in 1 multi-function center.

Before You Install Brother Printer Driver



If You Don't Have a CD-ROM Drive

All software is supplied on CD-ROM. If you need a Floppy Disk version for the MFC 8300's Printer Driver (DSK8331 for Windows® 3.1x or DSK8395 for Windows® 95/98), call Brother at

USA: 1-888-879-3232

From within Canada: 1-800-668-2768

From within Montreal: 1-514-685-6464

To order the appropriate set of disks, you must tell the Brother Representative the version of Windows® you are using and your Brother model number.

Computer Requirements

The following are the minimum computer requirements you need to set up and operate the MFC as a printer. Use only a shielded interface cable that is IEEE-1284 compliant, and that is less than 6 feet (1.8 meters) long, or USB cable.

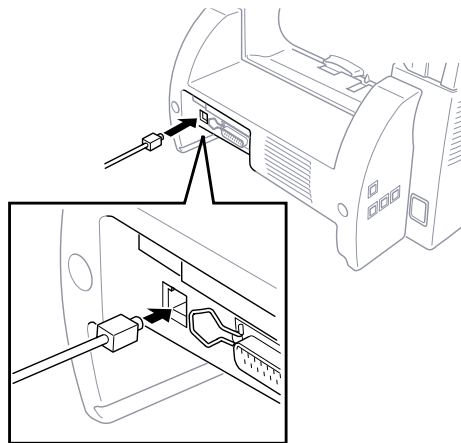
CPU	80486/66MHz or higher (Windows® 3.1x or 95) Pentium 75 or Higher (Windows® 98 or Windows NT® Workstation Version 4.0)
RAM	8MB or greater for Windows® 3.1x 8MB or greater for Windows® 95 (16MB recommended) 16MB or greater for Windows® 98 or Windows NT® Workstation Version 4.0 (32MB recommended)
Hard Disk Drive	10MB Available Disk Space
Operating System	Windows® 3.1x, 95/98 or NT® Workstation Version 4.0, DOS environment compatible with your Windows® version

Connecting Brother Machine to PC with a USB Cable

(For Using Windows® 98 Only)

ⓘ A USB cable is not included with your MFC 8300. Before you can set up the USB interface, please purchase a standard USB cable. Or, to set up the parallel interface instead, please see “Connecting Brother Machine to PC with Bundled Parallel Cable” on page 12-9.

- 1 After you have set up the MFC and checked that it is working properly, make sure the MFC is turned on and the PC is turned off.
- 2 Connect the USB cable to both the MFC and PC.



- 3 Turn on your PC. The Add New Hardware Wizard appears. Click **Next**.



- 4 Select [Recommended] and click **Next**.

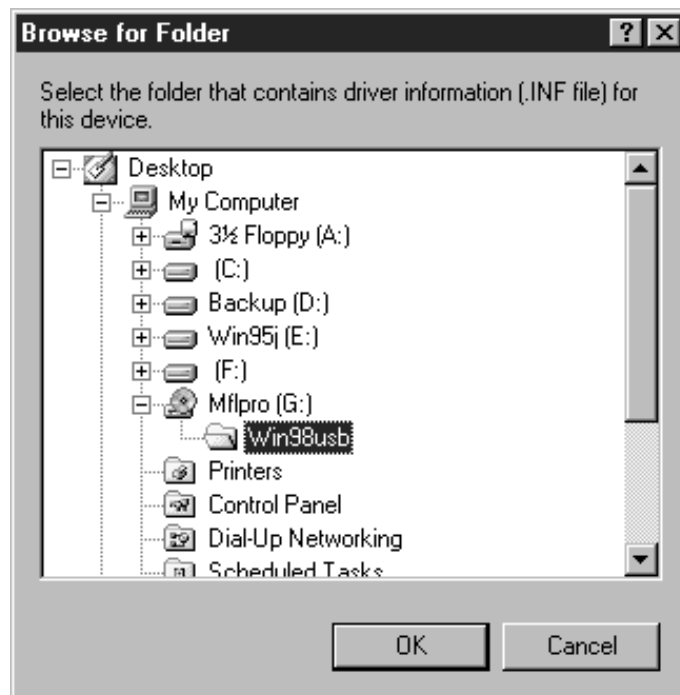


Installing Brother Printer Driver Using USB Cable

- 1 Insert the Printer driver CD-ROM.
- 2 Select **Specify a location** and remove the other check marks, then click **Browse** to locate the file.



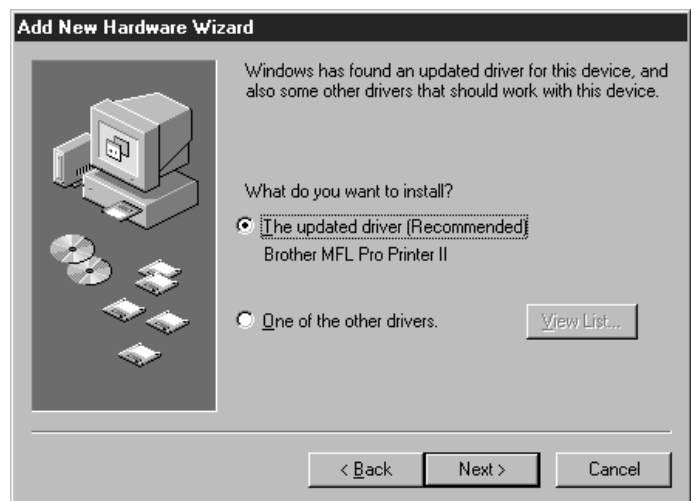
- 3 Double-click on the **CD** icon and click on the **Win98usb** folder, then click **OK**.



4 Click **Next**.



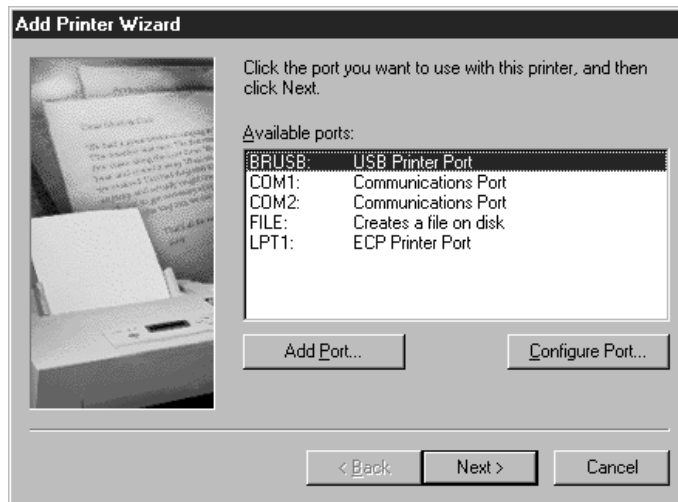
5 Select [Recommended] and click **Next**.



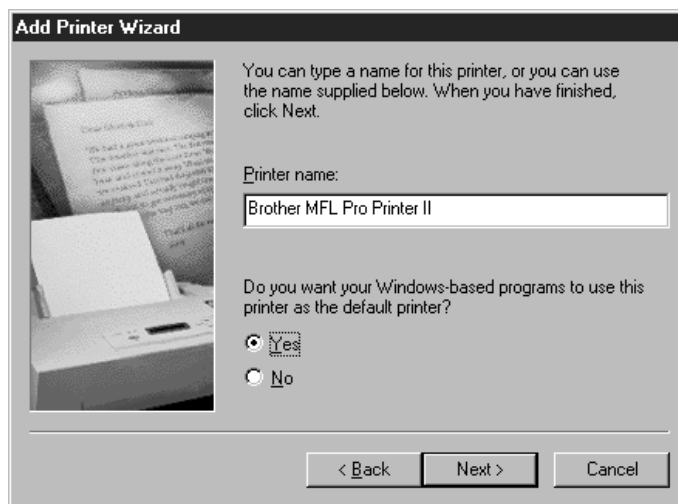
6 Confirm the choice is **Brother MFL Pro Printer II** and click **Next**.



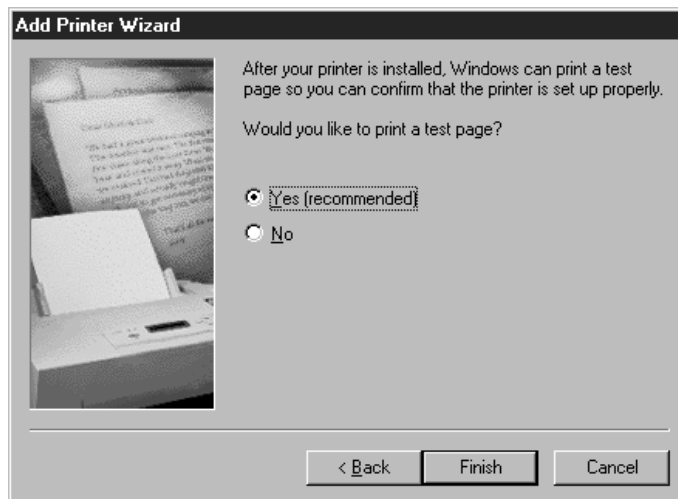
- 7 Select **BRUSB: USB Printer Port** and click **Next**.



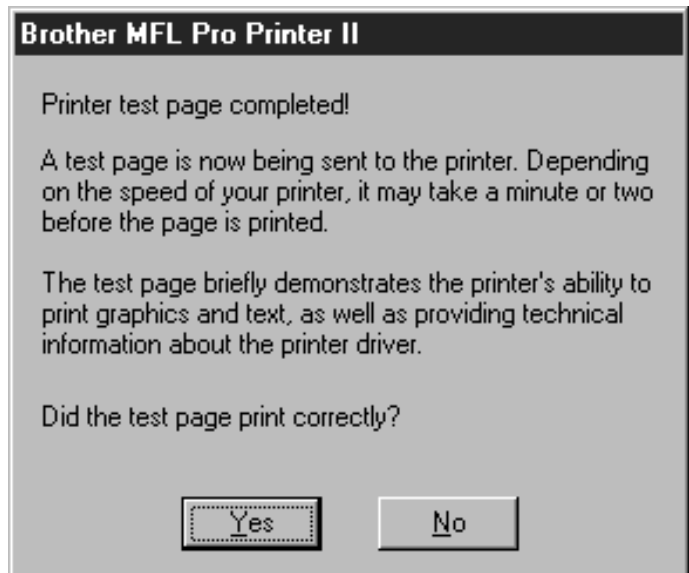
- 8 Type **Brother MFL Pro Printer II** as the name of printer and click **Next**.



- 9 Select **Yes** [Recommended] and click **Finish**.



- 10** After completing the test print, click **Yes**.



- 11** Click **Finish**. This completes the installation of the Printer and its USB driver.



Manually Installing True Type Fonts

For the MFC 8300, you must install the True Type Fonts manually, following the steps bellow. For the MFC 8600 and MFC 8700, you can install the True Type Fonts during the initial Windows® Printer Driver installation, or manually at a later time.

True Type Fonts are the fonts that are used in the Windows® operating systems. If you install the Brother True Type Fonts, more types of fonts will be available for Windows® applications.

For Windows® 95/98 and Windows NT® Workstation Version 4.0:

- 1 Insert the Brother CD-ROM drive for True Type Fonts.
- 2 Click on **Start**, then *Settings*, and select *Control Panel*.
- 3 In the *Control Panel* window, double-click on the *Fonts* folder.
- 4 In the *Fonts* window, select *Install New Font...* from the *File* menu.
- 5 Select your CD-ROM drive and select the font folder.
- 6 Select the fonts you want to install and click the **OK** button.

For Windows® 3.1 x:

- 1 Insert the Brother CD-ROM for True Type Fonts.
- 2 In the *Program Manager*, double-click the *Main* icon.
- 3 In the *Main* window, double-click the *Control Panel* icon.
- 4 In the *Control Panel* window, double-click the *Fonts* icon.
- 5 In the *Fonts* window, click the **Add...** button.
- 6 Select your CD-ROM drive.
- 7 Select the fonts you want to install and click the **OK** button.

Connecting Brother Machine to PC With Bundled Parallel Cable

You must connect the Brother machine to your PC with the included bi-directional IEEE-1284 compliant parallel cable.

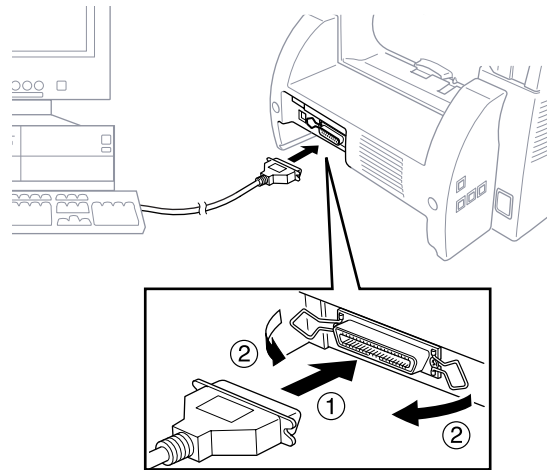
- 1 Make sure to unplug the machine's power cord from the electrical outlet before connecting the parallel interface cable.

Also, make sure the PC is turned off and unplugged from the electrical power before you connect the interface cable.


- 2 Connect the parallel interface cable to the parallel interface port of the machine and secure the connection with the wire clips.

- 3 Connect the interface cable to the printer port of the PC and secure with the two screws.

For the location of your computer's parallel printer port, see the User's Guide for your PC.



- 4 Before plugging in your PC and turning it on, plug in the electrical cord of the Brother machine.

-  If you are using Windows® 95, after you connect Brother machine to PC. You may see “New Hardware Found Brother MFCXXXX” during startup.

You can select “Do not install a driver (Windows® will not prompt you again).” and click **OK**, so Windows® will not display this dialog box again.

—OR—

If you see “Update Device Driver Wizard”, click **Next** to bypass the Windows® Plug and Play Printer Driver screens, followed by **Finish**.

If you are using Windows® 98, you may see the “Add New Hardware Wizard” during startup, follow the instructions from the installer, then click **Next**. Click **Finish** when it appears on the screen.

A window appears listing the options:



For each application you install, click on that name in the Software Installation window and follow the instructions on the screen. The last step will be to restart Windows® and access the Software Installation window again to install the next application.

- 3 Click on “Install MFC Printer Driver” and follow the prompts on the screen.



DOS printing is **NOT** available for the FAX 4750 and FAX 5750.

How to Use Brother machine with Your DOS Application Software

Before working with your application software that runs on DOS, check that the Brother machine's name appears in the printer selection of your application software. If the machine is not listed, you must install the printer driver that corresponds to HP LaserJet IIP's emulations.

The following table shows combinations of printer drivers and emulation mode. To get the most out of this machine, you should install an HP printer driver in your application software.

Printer driver supported in your application software	Emulation mode to be selected with the remote printer console program
HP LaserJet IIP™	HP LaserJet IIP emulation mode
HP LaserJet II™	Auto emulation selection

- The best or recommended printer driver is indicated in bold.
- Be sure to choose the proper printer driver in your application software.
- Be sure the printing resolution is set to 300 dpi in your DOS application software.

What Does the Remote Printer Console Do?

The Remote Printer Console (RPC) is a utility program that can run in the DOS environment and comprises the following two programs:

Remote Printer Console Main Program

This program allows you to change various printer settings such as emulation, print quality, fonts, page setup etc., from your computer screen. Since most DOS applications have a Printer Settings menu that overrides the settings made by the RPC, you may not have to use this utility program. This utility program is useful for application software that does not control the printer's settings and features.

Printer Status Monitor Program

This utility program can monitor your printer's status using bi-directional parallel communications. This utility program stays resident in your computer memory (Terminate-and-Stay Resident program) and runs in the background.

Installing the Remote Printer Console

Before you install the program, make sure you have the following hardware and software to install the program:

DOS	Version 3.3 or later
Monitor	EGA/VGA or compatible
Option	Mouse; the mouse driver must be installed. (You can also operate the program with the keyboard.)

Follow these steps to install the remote printer console program:

- 1 Make sure your Brother machine is connected to your computer and it is set to Online.
- 2 Start your computer and go to the DOS prompt. If you are in Windows®, exit and return to the DOS prompt.
- 3 Insert the Brother CD-ROM into your CD-ROM drive.
- 4 At the DOS prompt (C:\>) type *x*: (Substitute the drive letter of your CD-ROM drive for “*x*”) and press Enter.

```
C:\>x:
```

- 5 Type CD DOS and press Enter.

```
x:\>CD DOS
```

- 6 Type RPCSETUP and press Enter.

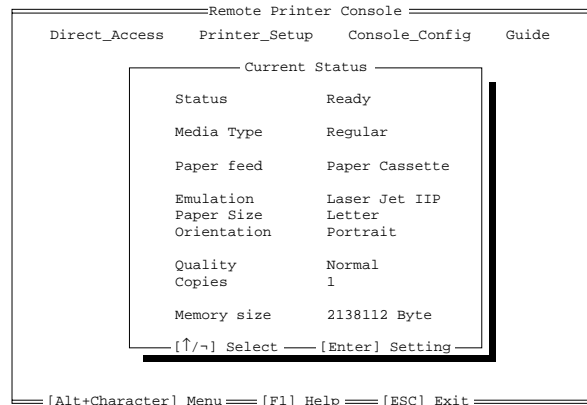
```
x:\DOS>RPCSETUP
```

- 7 Follow the instructions from the installer.

Using the Remote Printer Console Main Program

Type **C:\RPCX>RPCX** and press the Enter key to start the Remote Printer Console main program.

The Main Screen will appear on your computer screen as shown below.



If bi-directional communication is enabled between your computer and MFC when it starts, the RPC gets the current settings information from your MFC. Otherwise, RPC shows its default settings. If you want to change settings, move the cursor to the item you want and select it using the **Enter** and **Cursor** keys. Then, press the **Enter** key to make the selected setting valid.

There are four sub menus. (See table below.) Select the sub menu you want by clicking on it with the mouse, using the cursor keys and the **Enter** key, or by pressing the hot key commands for that sub menu.

Menu	Press the keys	Functions
Direct Access	Alt + D	You can directly control the Brother machine, with Print Form, Reset Printer.
Printer Setup	Alt + P	You can enter the setting mode to change other printer settings, such as, margin settings, continue mode, font and sleep mode.
Console Config	Alt + C	You can change the environment settings for the RPC program: color, Status Monitor configuration, etc.
Guide	Alt + G	You can go to the Guide mode.
Help	F1	You can get Online Help: If you press F1, you can get information on a highlighted item.

Remote Printer Console

Current Printer Status Information

Item	Default	What This Item Does
Media Type	Regular	Selects the media type “Regular,” “Thin Paper,” “Thick Paper,” “Thicker Paper,” “Bond Paper” or “Transparency.”
Paper Feed	Paper Cassette	Selects the paper feed mode, either “Paper Cassette” or “Manual.”
Emulation*1	Laser Jet IIP	Selects “Laser Jet IIP.”
Paper Size*1	Letter	Selects the paper size, either “Letter,” “Legal,” “A4,” “Executive,” “Monarch,” “COM10,” “DL,” “C5,” “B5,” “A5” or “A6.”
Orientation*1	Portrait	Selects the paper direction, either “Portrait” or “Landscape.”
Quality*1	Normal	Selects the print quality, either “Normal” or “Economy.”
Copies*1	1	Sets the number of print copies from 1 to 200 pages.

*1 The items can be set in the current printer status information dialog box.

Printer Setup Category

Print Setup Section

Item	Default	What This Item Does
Copies	1	Sets the number of print copies from 1 to 200 pages.
Quality	Normal	Selects the print quality to either “Normal” and “Economy.”
Emulation	Laser Jet IIP	Selects “Laser Jet IIP.”

Page Setup Section

Item	Default	What This Item Does
Left Margin	*2	Sets the Left Margin value (0-145) columns.
Right Margin	*2	Sets the Right Margin value (0-155) columns.
Top Margin	0.5" or 0.33"	Sets the Top Margin 0", 0.33", 0.5", 1", 1.5" or 2."
Bottom Margin	0.5" or 0.33"	Sets the Bottom Margin 0", 0.33", 0.5", 1", 1.5" or 2."
Line / Page	*2	Sets the lines/pages (5-128).
Xoffset	0	Sets the Xoffset (vertical) value from -500 to 500 dots.
Yoffset	0	Sets the Yoffset (horizontal) value from -500 to 500 dots.

*1 These values (except Yoffset and Xoffset) are overridden by settings within your application software.

*2 These values depend on the paper size settings.

Font Config

Item	Default	What This Item Does
Font Source	Internal	"Internal"
Font name	Brougham10	Selects a font from any of the printer's internal fonts (Brougham 10, 12 and Letter Gothic16.66).
Pitch	10	Selects the font size of the selected font. If you selected the Brougham or LetterGothic font, Pitch is shown in the selection box.
Symbol Set	PC8	Selects the symbol set.

Other Config

Item	Default	What This Item Does
Auto LF	Off	Selects Auto LF “On or Off”
Auto CR	Off	Selects Auto CR “On or Off”
Auto Wrap	Off	Selects Auto Wrap “On or Off”
Auto Skip	On	Selects Auto Skip “On or Off”

Console Config Category

File	Function
Environment	Sets the Buzzer on/off, Color for Remote Print Console
Status Monitor	Sets the hot-key for waking-up the RPC.

For more information on RPC, see the Help Information within the program.

Using the Printer Status Monitor Program

Type **C:\RPCX>STMX** and press the **Enter** key to make the Printer Status Monitor Program stay resident in your computer memory. If there are any changes to the printer status, it displays a message on your computer screen.

If the Printer Status Monitor program stays resident in your computer, you can monitor the printer status on your computer screen immediately by using the hot-key (**Ctrl+Alt+R**).

To remove the Printer Status Monitor program from your computer memory, type **C:\RPCX>STMX/R** and press the **Enter** key.

The RPC works in the environment where your Brother machine is directly connected to your computer. If you are using printer buffer switches that do not support bi-directional communication between the Brother machine and computer, the program works only in the PC to machine direction and cannot receive Brother machine status information.

The program does **NOT** work with Brother machines on a network.

If the RPC conflicts with some application software, exit your application software and then run the RPC.

The RPC may work in the DOS-compatible box screen mode of Windows[®]. However, it is recommended that you completely exit from Windows[®] to the DOS prompt before using the RPC.

The Printer Status Monitor and some other Terminate-and-Stay programs cannot coexist in the computer's memory. If they don't work properly together, use them one at a time. You can suspend the Printer Status monitor with any of the following methods or commands.

Type **C:\RPCX>STMX/R** and press the Enter key. Hold the space bar down while executing the **AUTOEXEC.BAT** file at **DOS** startup to prevent the status monitor from being loaded as a TSR program.

14

Using Brother Machine as a Printer

(For MFC 8300, MFC 8600 and MFC 8700 Only)

Special Printing Features



If you purchased the *optional* Multi-Function Link[®] Pro accessory (PCI-3CD) for your FAX 4750 or FAX 5750, follow the instructions in this chapter.

Windows[®] Printing

The dedicated printer driver and TrueType[™] compatible fonts for Microsoft[®] Windows[®] 3.1x, 95/98 and Windows NT[®] Workstation Version 4.0 are available on the CD-ROM supplied with your machine. You can install them easily into your Windows[®] system using our installer program. The driver supports our unique compression mode to enhance printing speed in Windows[®] applications, and allows you to set various printer settings, including economy printing mode and custom paper size.

Popular Printer Emulation Support

The machine supports HP LaserJet IIP printer emulation mode. If you use DOS application software, or Windows[®] 3.0 or earlier, you can use HP LaserJet IIP emulation mode for printer operations. (Use the Remote Printer Console program to set the printer emulation.)

Remote Printer Console Program for DOS

The MFL Pro CD-ROM supplied with your machine includes the utility program Remote Printer Console (RPC). When you operate your computer in the Disk Operating System (DOS) environment, RPC lets you easily change the Brother machine's default settings (such as fonts, page setup, emulations, etc.).

RPC also provides a status monitor Terminate-and-Stay Resident (TSR) program. It runs in the background and monitors the printer status as it reports the current status or errors on your PC screen.

Bi-directional Parallel Interface

The Brother machine's parallel interface enables it to send memory and printer setup information to the computer.

Enhanced Memory Management

The Brother machine has its own Data Compression Technology, which automatically compresses graphic data and downloads font data efficiently into the machine's memory. With the machine's standard memory, you can avoid memory errors and print most full-page, 600 dpi graphic and text data, including larger fonts.

Printing From Your PC

Multi-purpose Paper Cassette

The machine's multi-purpose paper cassette can be adjusted to feed many sizes of paper: letter, legal, A4, B5 and A5 plain paper. When the machine receives print data from your computer, it loads paper from the paper cassette.

- Select the print command from your PC.

Your PC sends a print command and data to the machine. The machine displays the date and time and RECEIVING DATA. If there are more pages, the machine begins to print the next page automatically. When printing is finished, it returns to online status.



You may select the proper paper source, paper size, and page orientation in your application software.

If your application software does not support your custom paper size, select the next larger paper size. Then adjust the print area by changing the right and left margins in your application software. (See Acceptable Paper, page 2-5.)

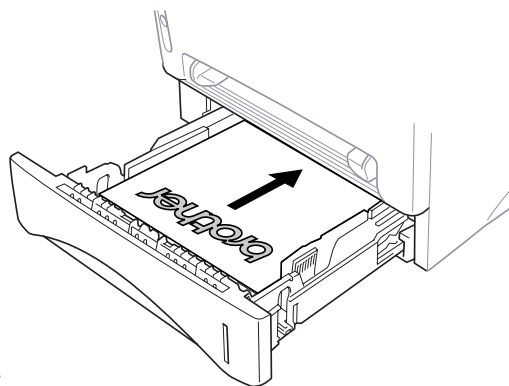


Use the manual feed slot for labels, transparencies, card stock, thicker paper or envelopes.

Two-Sided Printing (Manual Duplexing)

The supplied printer drivers for Windows® 3.1x, 95/98 and Windows NT® Workstation Version 4.0 enable manual duplex printing. (For more information, see the Help screen for the printer driver.)

The machine prints all the even-numbered pages on one side of the paper first. Then, the Windows® driver instructs you (with a pop-up message) to reinsert the paper. Before reinserting the paper, straighten it well, or you may get a paper jam. Very thin or very thick paper is not recommended.




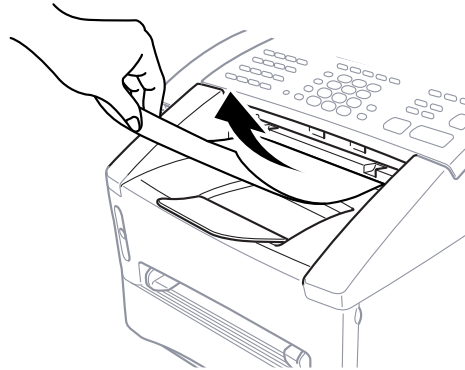
Caution

When you use manual duplexing, it is possible that a paper jam may occur or the print quality might not be satisfactory. (See Paper is Jammed in the Multi-purpose Paper Cassette, page 17-6.)

Front Output Bin

The machine ejects paper with printed surfaces *face down* into the output bin in the front of the machine. Unfold the output bin extension to support the printed pages.

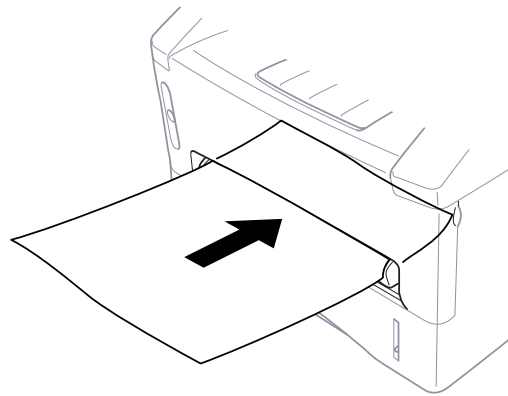
 To prevent the possibility of transparencies smudging as they stack in the output bin, remove each transparency after it exits.



Manual Feed Slot

Your machine has a manual feed slot above the paper cassette. You can load envelopes and special print media *one at a time* into this slot. You do not have to remove paper from the paper cassette. (For information about acceptable paper, see page 2-6.)

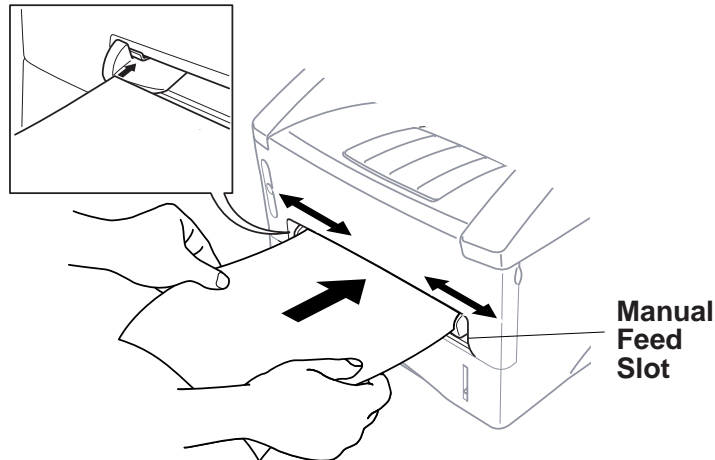
Use the manual feed slot to print or copy on labels, transparencies, card stock, thicker paper or envelopes.



Loading One Sheet of Paper

You do not have to choose Manual Feed in the Setup dialog box of your printer driver. Insert the sheet of paper for Portrait (vertical) or Landscape (horizontal), with the side you wish to print on face up in the manual feed slot.

- 1 Align the paper at the center of the manual feed slot and insert it all the way.
- 2 Adjust the paper guides to the width of the paper.



Loading More than One Sheet of Paper

- 1 Open the Setup dialog box of the Windows® printer driver and select Manual Feed in the Paper Source section. Follow Steps 1 and 2 above to load the first page. The machine starts printing automatically.
- 2 After the first page is printed, the screen displays:
Insert the next sheet of paper to resume printing.
- 3 Repeat Steps 1 and 2 until you have finished printing.

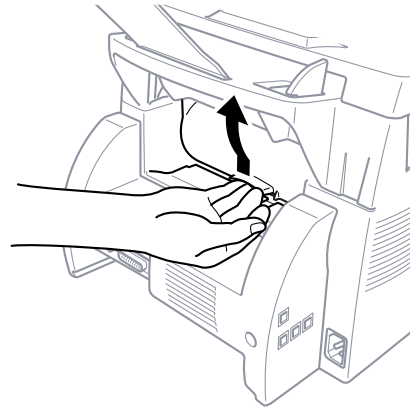
MANUAL FEED
PRESS FF/CONT

- When you use manual feed slot, it is best to first press **Print Priority**. This allows you to print PC data without interruption from incoming faxes. (Incoming faxes will be stored in the machine's memory.)
 - To stop or clear the manual feed, turn the machine offline by pressing the **On/Off Line** key, then press **Shift** and **Test/Reset**—**OR**—Stop it with a PC command.
- If you do not select Manual Feed, and insert a page in the manual feed slot, the machine will load the first page from the manual feed slot and subsequent pages from the paper cassette.


Printing on Thicker Paper and Card Stock

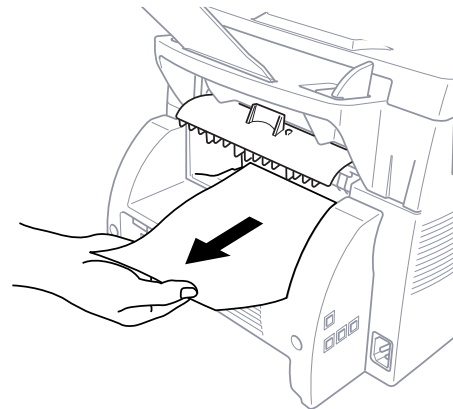
When the rear cover is lifted up, the machine has a straight paper path from the manual feed slot to the rear of the printer. Use this paper feed and output method when you want to print on thicker paper or card stock.

- 1 Select manual feed mode in the printer driver.
- 2 Send the print data as usual.
- 3 Lift up the rear cover at the rear of the machine.



- 4 Adjust the manual feed paper guides to the width of the paper you're using.
- 5 Insert a single sheet of paper into the manual feed slot until the front edge touches the paper feed rollers. Let go of the paper as the machine pulls it into position.
- 6 After the machine ejects the printed page, return to Step 5 to insert the next sheet of paper. The machine will wait until you insert the next sheet of paper. Repeat Steps 5 and 6 for each page to be printed.
- 7 When you have finished printing, close the rear cover of the machine.

 *To prevent the possibility of transparencies smudging as they stack in the output bin, remove each transparency after it exits.*



Simultaneous Printing/Faxing

Your machine can print data from your computer while sending or receiving a fax, or while scanning information into the computer. However, when the machine is copying or receiving a fax on paper, it pauses the PC printing operation, and resumes when copying or fax receiving is complete. Fax sending continues during PC printing. (See Acceptable Paper, page 2-5.)

Choosing Acceptable Paper

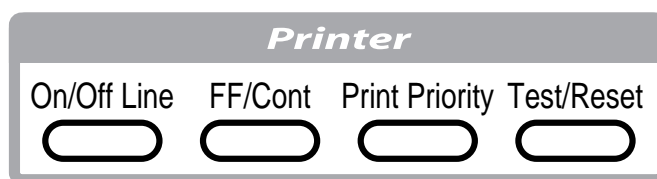
We recommend that you test paper (especially special sizes and types of paper) on the machine before purchasing large quantities.

- Avoid feeding labels with carrier sheets exposed, or your machine will be damaged.
- Avoid using coated paper, such as vinyl coated paper.
- Avoid using preprinted or highly textured paper.

For optimum printing, use a recommend type of paper, especially plain paper and transparencies. For more information on paper specifications, consult your nearest authorized sales representative or the place where you purchased your machine.

- Use label or transparencies that are designed for use in *laser* printers.
- For the best print quality, we recommend using long-grained paper.
- If you are using special paper, and the paper has problems feeding from the paper cassette, try again using the manual feed slot.
- You can use recycled paper in this machine.

Printer Operation Keys



On/Off Line Key

This key toggles the machine's On Line and Off Line print status, which appears on the display. If you press this key while printing, the machine stops printing and goes off line. Press **On/Off Line** again to resume printing.

FF/Cont Key

This key sets the machine to Form Feed and Continue.

When the screen displays REMAINED DATA, press **On/Off Line** to turn machine offline, then press **FF/Cont**. The machine prints any data remaining in its memory.

If an error occurs, such as MEMORY FULL, press **FF/Cont** to clear the error and continue operation.

If you press **FF/Cont** while printing from the manual feed slot, the machine stops feeding paper from the manual feed slot and starts feeding paper from the paper cassette.

Print Priority Key

When you press **Print Priority**, the machine enters printer mode, and will not print faxes on paper. Instead, faxes are stored in memory until you press **Print Priority** again or printing is finished.

Test/Reset Key

You can print a test sample page. If data remains in the machine's memory, press **On/Off Line**, then press **Test/Reset** (the machine cannot print a test sample page if it is online). The machine prints a test sample page.

You can also clear data from the memory and reset printer default settings. Press **Test/Reset** and **Shift** at the same time; all data is cleared from the memory.

Printing the Internal Font List

You can print a list of the machine's internal (or resident) fonts to see how each font looks before you select it.

- 1 Press **[Function]**, **[2]**, **[1]**, **[1]**.
- 2 Press **[Start]**. The machine prints the list.
- 3 Press **[Stop]** to exit.

Printing the Print Configuration List

You can print a list of current printer settings.

- 1 Press **[Function]**, **[2]**, **[1]**, **[2]**.
- 2 Press **[Start]**. The machine prints the settings.
- 3 Press **[Stop]** to exit.

Restoring Factory Default Settings

You can return the machine to original factory settings. Permanent fonts are restored, but macros are cleared. You can change user settings using the Remote Printer Console program. (See page 14-1.)

- 1 Press **[Function]**, **[2]**, **[2]**, **[1]**.
- 2 Press **[1]** to restore the factory settings
—OR—Press **[2]** to exit without making a change.
- 3 Press **[Stop]** to exit.

```
1.RESET 2.EXIT
```

Printing PC Data in Hexadecimal

You can print data as hexadecimal values to check data errors and problems. If you select HEX DUMP MODE, all PC data is printed hexadecimal. To turn hexadecimal mode off, press **[On/Off Line]** then **[Shift]** and **[Test/Reset]** at the same time.

- 1 Press **[Function]**, **[2]**, **[2]**, **[2]**.
- 2 Press **[1]** to set PC to hexadecimal mode
—OR—Press **[2]** to exit without making a change.
- 3 Press **[Stop]** to exit.

```
1.SET 2.EXIT
```

15 Optional Accessories

Additional Memory for Faxing/Printing

The memory board is installed on the main controller board inside the Brother machine. When you add the optional memory board, it increases the performance modes for both fax and printer operations.

The MFC 8300 has 2 MB of memory and the FAX 4750, FAX 5750, MFC 8600 and MFC 8700 have 4 MB of memory. All models can recognize 8 MB (**ME8000**) or 16 MB (**ME16000**) of Optional Memory. Be careful to purchase the appropriate memory board for your needs.

For the Printer

Additional memory is useful and may be necessary if you want to download many different fonts or want to print a very complex document.

For the Fax

Additional memory is available and will expand the memory used for sending and receiving faxes.

Model Name	Optional Memory	Total
FAX 4750, FAX 5750, MFC 8600 and MFC 8700 3 MB (up to 270 pages)	8 MB or 16 MB	11 MB (up to 990 pages) or 19 MB (up to 1,710 pages)
MFC 8300 1 MB (up to 90 pages)	8 MB or 16 MB	9 MB (up to 810 pages) or 17 MB (up to 1,530 pages)

Using Brother #1 Chart with MMR coding and Standard Resolution.

Network (LAN) Board (Option)

(For FAX 5750 and MFC 8700 Only)

If you add the Network (LAN) Board (**NC-8000**), you can connect your machine to the network and use the Internet FAX, FAX Gateway, Network Scanner and Network Printer functions.

Paper Cassette #2 (Option)

(For FAX 4750 and MFC 8600 Only)



You can purchase the Paper Cassette #2 accessory (**LT400**) to use as a third paper source. Cassette #2 holds up to 250 sheets of 20 lb. (75 g/m²) paper.

Multi-purpose Paper Cassette #2:	Holds approx. 250 sheets of 20 lb. (75 g/m ²) or 50 sheets of 42 lb. (158 g/m ²) Letter/A4 paper, 10 transparencies
Basis Weight:	17 to 28 lb. (64 to 105 g/m ²)
Caliper:	0.003 to 0.005 inches. (0.08 to 0.13 mm)
Moisture Content:	4% to 6% by weight
Smoothness:	100 to 250 (Sheffield)
We Recommend:	
Cut sheet:	Xerox 4200
Label:	Avery laser label or equivalent
Transparency:	3M CG3300 for laser printers or equivalent

Multi-Function Link[®] Pro (Option)

(For FAX 4750, FAX 5750 and MFC 8300 Only)



If you have a FAX 4750, FAX 5750 or MFC 8300, you can purchase the **optional** Multi-Function Link[®] Pro software (**PCI-3CD**). Multi-Function Link[®] Pro enables you to use your Brother machine as a scanner and to use it to fax from Windows[®] applications in your computer.

Installation instructions will be included with PCI-3CD. However, it is important that you hook up your Brother machine to your computer before you install the software.

Before you install the optional Multi-Function Link[®] Pro, you must read the README.WRI file in the root directory of the CD-ROM (or Floppy Disks) for last-minute important installation information and troubleshooting tips.

16 Important Information

Standard Telephone and FCC Notices (For 120V Models Only)

.....

These notices are in effect on models sold and used in the United States only.

This equipment is hearing aid compatible.

When programming emergency numbers and/or making test calls to emergency numbers:

- Remain on the line and briefly explain to the dispatcher the reason for the call before hanging up.
- Perform these activities in the off-peak hours, such as early morning or late evening.

This equipment complies with Part 68 of FCC Rules. On the rear panel of this equipment is a label that contains, among other information, the FCC Registration Number and Ringer Equivalence Number (REN) for this equipment. You must, upon request, provide this information to your telephone company.

You may safely connect this equipment to the telephone line by means of a standard modular jack, USOC RJ11C.

An FCC compliant telephone cord with a modular plug is provided with this equipment. This equipment is designed to be connected to the telephone line or premise's wiring using a compatible modular jack that is Part 68 compliant. See the Installation section of this manual for details.

The REN is useful in determining the quantity of devices you may connect to your telephone line and still have those devices ring when your telephone number is called. In most, but not all areas, the sum of the RENs of all devices connected to one line should not exceed five (5). To be certain of the number of devices you may connect to your line, as determined by the REN, you should contact your local telephone company to determine the maximum REN for your calling area. If your machine damages the telephone line, the telephone company may discontinue your service temporarily. If possible, they will notify you in advance. If advanced notice is not practical, you will be notified as soon as possible. You will be informed of your right to file a complaint with the FCC.

Your telephone company may make changes to its facilities, equipment, operations or procedures that could affect the proper functioning of your equipment. If they do, you will be notified in advance to give you an opportunity to maintain uninterrupted telephone service.

If you experience trouble with your machine, please contact a Brother Authorized Service Center for information on service or repair. The telephone company may ask that you disconnect this equipment from the line until the problem has been corrected or until you are sure that the equipment is not malfunctioning.

If you are not able to solve a problem with your multi-function center, contact Brother Customer Service at

USA:	1-800-284-4329	(voice)
	1-908-575-8790	(fax)
From within Canada:	1-800-853-6660	(voice)
	1-514-685-4898	(fax)
From within Montreal:	1-514-685-6464	(voice)

WARNING

To protect against risk of electrical shock, always disconnect all cables from wall outlets before servicing, modifying or installing the equipment.

Use of controls, adjustments or performance of procedures other than those specified in this manual may result in hazardous invisible radiation exposure.

This equipment may not be used on coin service lines provided by the telephone company or connected to party lines.

Federal Communications Commission (FCC) Declaration of Conformity (For USA Only)

Responsible Party : Brother International Corporation
100 Somerset Corporate Boulevard
Bridgewater, NJ 08807-0911 USA
TEL : (908) 704-1700

declares, that the products

Product Name : FAX 4750, FAX 5750, MFC 8300, MFC 8600, MFC 8700

comply with Part 15 of the FCC Rules. Operation is subject to the following two conditions: (1) This device may not cause harmful interference, and (2) this device must accept any interference received, including interference that may cause undesired operation.

ENERGY STAR® Compliance Statement

As an ENERGY STAR® Partner, Brother Industries, Ltd. has determined that this product meets the ENERGY STAR® guidelines for energy efficiency.



Important—About the Interface Cable

A shielded interface cable which is included with your machine should be used to ensure compliance with the limits for a Class B digital device.

Caution

Changes or modifications not expressly approved by Brother Industries, Ltd. could void the user's authority to operate the equipment.

Industry Canada Compliance Statement (For Canada Only)

This Class B digital apparatus complies with Canadian ICES-003.

Cet appareil numérique de la classe B est conforme à la norme NMB-003 du Canada.

Laser Safety (For 110-120V Models Only)

This equipment is certified as a Class I laser product under the U.S. Department of Health and Human Services (DHHS) Radiation Performance Standard according to the Radiation Control for Health and Safety Act of 1968. This means that the equipment does not produce hazardous laser radiation.

Since radiation emitted inside the equipment is completely confined within protective housings and external covers, the laser beam cannot escape from the machine during any phase of user operation.

FDA Regulations

U.S. Food and Drug Administration (FDA) has implemented regulations for laser products manufactured on and after August 2, 1976. Compliance is mandatory for products marketed in the United States. The following label on the back of the machine indicates compliance with the FDA regulations and must be attached to laser products marketed in the United States.

Manufactured

<p>BROTHER CORP. (ASIA) LTD. BROTHER BUJI NAN LING FACTORY Gold Garden Industry, Nan Ling Village, Buji, Rong Gang, Shenzhen, China. This product complies with FDA radiation performance standards, 21 CFR Subchapter J.</p>

Important Safety Instructions

- 1** Read all of these instructions.
- 2** Save them for later reference.
- 3** Follow all warnings and instructions marked on the product.
- 4** Unplug this product from the wall outlet before cleaning. Do not use liquid or aerosol cleaners. Use a damp cloth for cleaning.
- 5** Do not place this product on an unstable cart, stand, or table. The product may fall, causing serious damage to the product.
- 6** Slots and openings in the cabinet and the back or bottom are provided for ventilation. To ensure reliable operation of the product and to protect it from overheating, these openings must not be blocked or covered. The openings should never be blocked by placing the product on a bed, sofa, rug, or other similar surface; near or over a radiator or heater; or in a built-in wall unit or cabinet without ventilation.
- 7** This product should be operated from the type of power source indicated on the label. If you are not sure of the type of power available, consult your dealer or local power company.
- 8** Use only the power cord supplied with this machine.
- 9** This product is equipped with a 3-wire grounding type plug, a plug having a third (grounding) pin. This plug will fit into only a grounding-type power outlet. This is a safety feature. If you are unable to insert the plug into the outlet, contact your electrician to replace your obsolete outlet. Do not defeat the purpose of the grounding-type plug by using an adapter.
- 10** Do not allow anything to rest on the power cord. Do not place this product where people can walk on the cord.
- 11** If an extension cord is used with this product, make sure that the total ampere ratings on the products plugged into the extension cord do not exceed the extension cord ampere rating. The total of all products plugged into the wall outlet must not exceed 15 amperes (USA only).
- 12** Never push objects of any kind into this product through cabinet slots, since they may touch dangerous voltage points or short out parts resulting in the risk of fire or electric shock. Never spill liquid of any kind on the product.
- 13** This product has no ON/OFF switch. In case the main power to the machine must be disconnected quickly, it is very important that you have easy access to the main plug and the main socket where the plug is connected.

- 14** Unplug this product from the wall outlet and refer servicing to a Brother Authorized Service Center under the following conditions:
- A** When the power cord is damaged or frayed.
 - B** If liquid has been spilled into the product.
 - C** If the product has been exposed to rain or water.
 - D** If the product does not operate normally when the operating instructions are followed. Adjust only those controls that are covered by the operating instructions. Improper adjustment of other controls may result in damage and will often require extensive work by a qualified technician to restore the product to normal operation.
 - E** If the product has been dropped or the cabinet has been damaged.
 - F** If the product exhibits a distinct change in performance, indicating a need for service.
- 15** Do not attempt to service this product yourself, as opening or removing covers may expose you to dangerous voltage points and/or other risks, and may void your warranty. Refer all servicing to a Brother Authorized Service Center. A list of Brother Authorized Service Centers has been included for your convenience, or you may contact the following Brother Customer Service numbers for your nearest Brother Authorized Service Center:

USA: 1-800-284-4329 (voice)
1-908-575-8790 (fax)
1-800-521-2846 (Fax-Back System)

From within Canada: 1-800-853-6660 (voice)
1-514-685-4898 (fax)
1-800-681-9838 (Fax-Back System)

From within Montreal: 1-514-685-6464 (voice)

- 16** To protect your product against power surges, we recommend the use of a power protection device (Surge Protector).
- 17** When using your telephone equipment, basic safety precautions should always be followed to reduce the risk of fire, electric shock and injury to persons, including the following:
- Do not use this product near water (for example, near a bathtub, sink, swimming pool or in a wet basement).
 - Do not use the machine's telephone during an electrical storm (there is the remote possibility of an electrical shock) or to report a gas leak in the vicinity of the leak.
 - Use only the power cord indicated in this manual.

Compilation and Publication Notice

Under the supervision of Brother Industries Ltd., this manual has been compiled and published, covering the latest product descriptions and specifications.

The contents of this manual and the specifications of this product are subject to change without notice.

Brother reserves the right to make changes without notice in the specifications and materials contained herein and shall not be responsible for any damages (including consequential) caused by reliance on the materials presented, including but not limited to typographical and other errors relating to the publication.

Trademarks

Brother is a registered trademark of Brother Industries, Ltd.

The brother logo is a registered trademark of Brother Industries, Ltd.

Multi-Function Link Pro is a registered trademark of Brother Industries, Ltd.

© Copyright 1996–1999 Brother Industries, Ltd. All rights reserved.

© Copyright 1996–1999 Smith Micro Software, Inc. All rights reserved.

© Copyright 1996–1999 ScanSoft. All rights reserved.

TextBridge and PaperPort are registered trademarks of ScanSoft, Inc.

Windows, Microsoft, MS-DOS, Excel and Word are registered trademarks of Microsoft in the U.S. and other countries.

NetCentric and FaxStorm are registered trademarks of NetCentric Corporation.

TrueType is a trademark of Apple Computer, Inc.

Centronics is a trademark of Genicom Corporation.

Epson is a registered trademark and FX-80 and FX-850 are trademarks of Seiko Epson Corporation.

Hewlett Packard is a registered trademark and HP LaserJet II, IIP, and IID are trademarks of Hewlett-Packard Company.

IBM, IBM PC, and Proprinter are registered trademarks of International Business Machines Corporation.

Hammermill copyplus white is a registered trademark of International Paper.

All other terms and brand and product names mentioned in this manual are registered trademarks of their respective companies.

17 Troubleshooting and Routine Maintenance

Troubleshooting

Brother fax-back system

Brother Customer Service has installed an easy-to-use fax-back system, so you can get instant answers to common technical questions and product information for all Brother products. This system is available 24 hours a day, 7 days a week. You can use the system to send faxes to any fax machine, not just the one from which you are calling.

If you can't resolve a difficulty with your machine using this manual, call our fax-back system, and follow the voice prompts to receive faxed instructions about using the system, and an index of fax-back subjects.

USA: 1-800-521-2846

From within Canada: 1-800-681-9838

The Brother fax-back system number (USA only) has been preprogrammed on One Touch key **[01]**.

Brother Home Page

You can find more information about Brother products, from product specification sheets to Frequently Asked Questions (FAQs), on the World Wide Web. Visit us at

<http://www.brother.com>

Brother Bulletin Board

Brother's Bulletin Board Numbers are

USA: 1-888-298-3616

From within Canada: 1-514-685-2040

For Customer Service

USA: 1-800-284-4329 (voice)

1-908-575-8790 (fax)

From within Canada: 1-800-853-6660 (voice)

1-514-685-4898 (fax)

From within Montreal: 1-514-685-6464 (voice)

Error Messages

You may occasionally encounter a difficulty with your machine or telephone line. If this happens, your machine often identifies the problem and displays an error message. The list below explains the most common error messages. You can correct most problems by yourself.

If you need additional help, call the Brother fax-back system at

USA: 1-800-521-2846

From within Canada: 1-800-681-9838

Error Messages		
Error Message	Cause	Action
CHANGE DRUM SOON	The drum unit is near the end of its life.	Use the drum unit until you have a print quality problem; then replace the drum unit with a new one.
	The drum counter was not reset.	1. Open the front cover and press Clear . 2. Press 1 to reset.
CHECK PAPER CHECK PAPER #1 CHECK PAPER #2	The machine is out of paper or paper is not properly loaded in the paper cassette.	Refill the paper or remove the paper and load it again.
COMM. ERROR	A poor quality phone line caused communications error.	Try the call again.
CONNECTION FAIL	You tried to poll a fax machine that is not in Polled Waiting mode.	Verify the other party's polling setup.
COOLING DOWN	The temperature of the drum unit or toner cartridge is too hot. The machine will pause its current print job and go into cooling down mode. During the cooling down mode, you will hear the cooling fan running while the display on the machine shows COOLING DOWN .	You must wait and allow the machine to resume printing when it is ready.
COVER OPEN	The front cover was not completely closed.	Close the front cover for the drum unit.
DISCONNECTED	The other party or other party's fax machine terminated the call.	Try to fax or receive again or call the other party to see what happened.

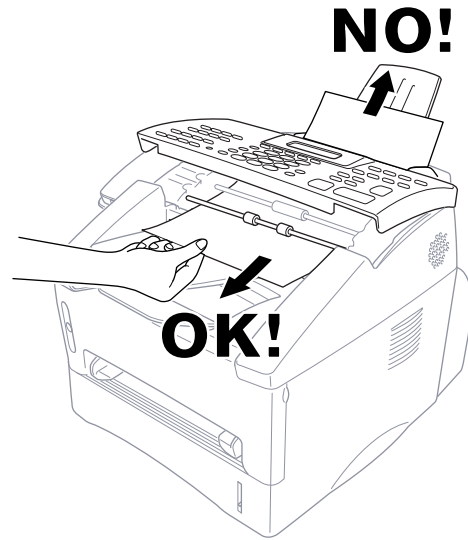
Error Messages		
Error Message	Cause	Action
DOCUMENT JAM	Documents were not inserted properly or document was too long.	Do not pull paper out until you see page 17-5.
DOWNLOAD FULL (May occur when the machine is used as a printer.)	The download buffer is full.	Press [FF/Cont] . Printing will resume (the downloading is canceled).
MACHINE ERROR XX	Machine has a mechanical problem.	Turn the power off. Then call Brother Customer Service at USA: 1-800-284-4329 From within Canada: 1-800-853-6660 From within Montreal: 1-514-685-6464
MEMORY FULL	Machine memory capacity has been exceeded.	<ul style="list-style-type: none"> • Press [FF/Cont] to print the data remaining in the machine. • If you have installed the Windows® driver, try again after setting the True Type mode to “Print as Graphics” in the PRINT menu of your application software. • Reduce the print resolution or reduce the complexity of your document. • Expand the memory with the optional memory board. (ME8000 or ME16000)
NO RESPONSE / BUSY	The number you called does not answer or is busy. Or, you may have reached a number that is not connected to a fax machine.	Check the number and try again.
NOT REGISTERED	You tried to access a One Touch or Speed Dial number that is not programmed.	Set up the One Touch or Speed Dial number. (See pages 7-1~2.)

Error Messages		
Error Message	Cause	Action
PLS CLEAN DRUM	The primary corona wire of drum unit is dirty.	Clean the primary corona wire of drum unit. (See page 17-22.)
PLS OPEN COVER	A page, piece of paper or paper clip, etc. may be jammed inside the machine.	Open the front cover. If you see any jammed paper or other item, gently pull it out, then close the scanner unit. If the error message remains, open and close the front cover again. If the machine cannot reset itself and return to the date and time prompt, it will display MACHINE ERROR XX. Please call Brother Customer Service and tell them the Machine Error number, at: USA: 1-800-284-4329 From within Canada: 1-800-853-6660 From within Montreal: 1-514-685-6464
PRINTER JAM	The paper is jammed in the machine.	Do not pull the paper out until you see page 17-5.
TONER EMPTY	Toner cartridge is not installed. —OR— Toner is used up and printing is not possible.	Reinstall the toner cartridge. —OR— Replace the toner cartridge with a new one. (See page 17-23.)
TONER LOW	If the display shows TONER LOW and the Toner Empty LED on the control panel is blinking, you can still print. But the toner is depleted and the machine is telling you that the toner will soon run out.	Order a new toner cartridge now.

Document Jam

The documents were not inserted or fed properly, or were too long.

- 1 Lift the control panel.
- 2 Carefully pull the document toward the front of the machine.



- 3 Close the control panel.
- 4 Press **Stop**.

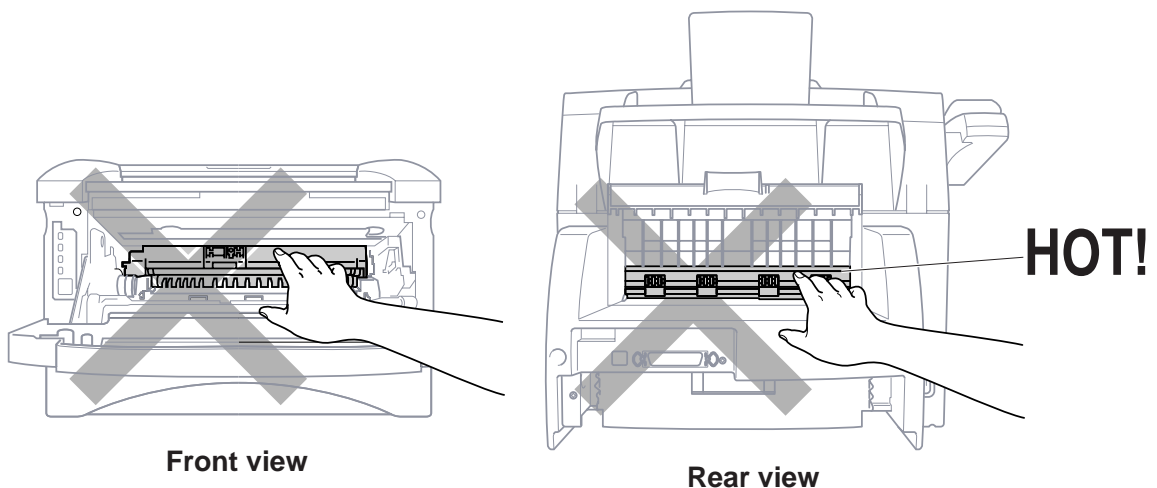
Printer Jam

Before you can clear a printer jam error, you must find out where the paper is stuck. See the following three types of paper jams.

WARNING

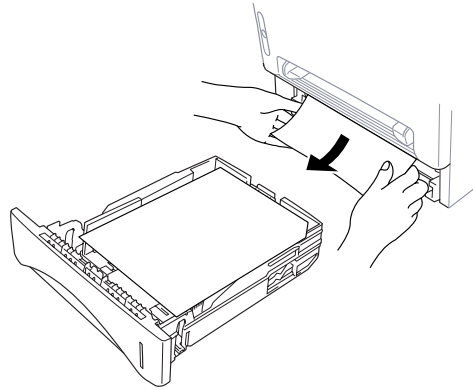
Do not use force to pull the jammed paper from the paper tray because you may damage the machine and cause toner to scatter on the next printed pages.

After you use the machine, some internal parts are extremely **HOT!** When you open the front, never touch the shaded parts shown in the following diagram.



Paper is Jammed in the Multi-purpose Paper Cassette

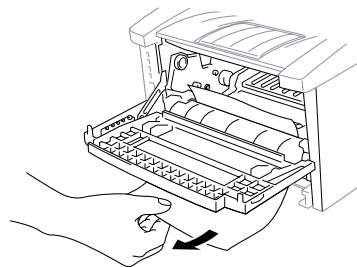
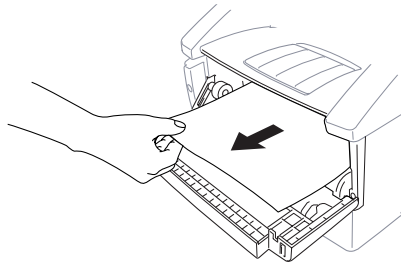
- 1 Pull the paper cassette out of the machine.
- 2 Remove any crinkled sheets.



- 3 Adjust the guides to fit.
- 4 Press down the paper to flatten it in the paper cassette.
- 5 Reinstall the paper cassette.

Paper is Jammed near the Drum Unit

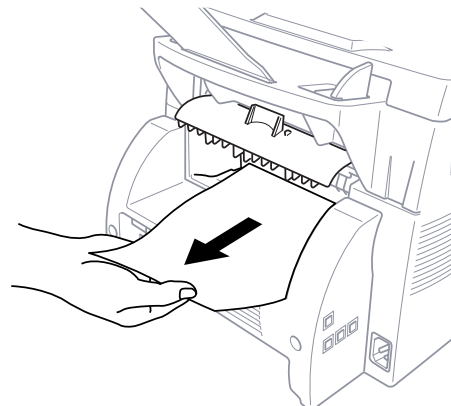
- 1 Open the front cover.
- 2 Remove the drum unit but do not force it if it cannot be removed easily. Instead, pull the edge of the jammed paper from the paper cassette.



- 3 Gently pull out the jammed paper.
- 4 Reinstall the drum unit.
- 5 Close the front cover.

Paper is Jammed in the Fuser Unit

- 1 Open the rear cover.
- 2 Pull out jammed paper. When you have to pull paper out the back of the machine, the fuser may get dirty with toner powder causing the next few printed page(s) to look messy. Print a few copies of the test page until the pages print clearly.
- 3 Close the rear cover.



If You Are Having Difficulty with Your Machine

If you think there is a problem with your machine, *make a copy first*. If the copy looks good, the problem is probably not your machine. Check the table below and follow the troubleshooting tips.

► **Printing
and
Receiving
Faxes**

Difficulty	Suggestions
Condensed print and horizontal streaks, the top and bottom of sentences are cut off.	If your copy looks good, you probably had a bad connection, with static or interference on the phone line. If the copy looks bad, call Brother Customer Service at 1-800-284-4329 (USA), 1-800-853-6660 (from within Canada) or 1-514-685-6464 (from within Montreal).
Vertical streaks/black lines appear on faxes you receive.	Sometimes you may see vertical streaks/black lines on the faxes you receive. Either your the machine's primary corona wire for printing may be dirty, or the sending party's fax scanner may be dirty. Clean your primary corona wire (see page 17-21), or ask the sender to make a copy to see if the problem is with the sending machine. Try receiving from another fax machine. If the problem continues, call Brother Customer Service at 1-800-284-4329 (USA) or 1-800-853-6660 (From within Canada) or 1-514-685-6464 (From within Montreal).
Machine "hears" voice as CNG tone.	If your machine is set to Easy Receive ON, and it answers voice calls by trying to receive a fax, try turning Easy Receive to OFF.
Horizontal streaks	You may get a fax with horizontal streaks or with missing lines. Usually this is caused by a poor telephone connection. Ask the other party to send the fax again.
Received faxes appear as split or blank pages.	If the received data is divided and printed on 2 pages or if you get an additional blank page, your Paper Size setting may not be correct for the paper you are using. (See page 5-5.) If you are using the fixed reduction feature, check to see if the reduction ratio is suitable for the paper in your machine. (See page 5-4.)

	Difficulty	Suggestions
► Phone Line or Connections	Dialing does not work	Check for a dial tone. Change TONE/PULSE setting. (See Tone/Pulse, page 4-1.) Check all line cord connections, and make sure the curled handset cord is not in the EXT jack. Check power cord connection. Send a manual fax by pressing [Hook] — OR —by lifting the handset, and dialing the number. Wait to hear fax receiving tones before pressing [Start] .
	Machine does not answer when called	Make sure the machine is in the correct receiving mode for your setup (either FAX, FAX/TEL, TAD). Check for dial tone. If possible, call your machine to hear it answer. If there is still no answer, check the telephone line cord connection. Connect a standard telephone handset to the machine's telephone jack. If there is no ringing when you call your machine, call your Telephone Company to check the line.
	No dial tone on the handset	Press [Hook] — OR —Lift the handset. If you hear no dial tone, check telephone line cord connections at the machine and wall jack. Check that the handset curled cord is connected to the machine's handset jack. Test the wall jack with another single line telephone. If no dial tone on the wall outlet, call your Telephone Company.
► Sending Faxes	Poor transmitting quality	Try changing your resolution to FINE or SUPERFINE. (See Resolution, page 6-8.) Make a copy to verify the machine's scanner operation.
	Transmission report prints "Results:NG"	There is probably temporary noise or static on the phone line. Try sending the fax again. If the problem continues, call the Telephone Company to check your phone line.
	When the receiving party says the picture is not clear	Sometimes the resolution mode you chose when you sent your fax may not have been appropriate. Send the fax again, but try using the FINE or SUPERFINE mode. Also, your machine's scanner may be dirty, so try cleaning it. (See page 17-21.)
	When the receiving party says vertical streaks appear on the faxes they receive	Your machine's scanner may be dirty or the party receiving party's print head may be dirty. Clean your scanner, (see page 17-21) and make a copy to check if the receive problem was caused by your machine.

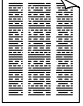
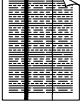

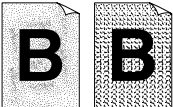
	Difficulty	Suggestions
► Handling Incoming Calls	Double-ring in FAX/TEL Mode	The machine knows the incoming call is not a fax so it is signaling you to answer the telephone call. Pick up the machine's handset or answer from an extension or external phone and press your machine's Telephone Answer Code (default setting is #51).
	Transferring a fax call to the machine	If you answered at the machine, press [Start] and hang up immediately. If you answered at an extension or external phone, press your machine's Remote Activation Code (default setting is *51). When your machine answers, hang up.
	The Caller ID does not display after the Call Waiting Signal (For FAX 4750, MFC 8300, MFC 8600 and MFC 8700 only)	The Caller ID signal is sent ten seconds after the Call Waiting Signal and speaking may interfere with it. When you hear the Call Waiting signal, ask the other party to hold while you catch the other call. Then stop speaking until you see the Caller ID on the LCD.
	I have difficulty with custom features on a single line (For FAX 4750, MFC 8300, MFC 8600 and MFC 8700 only)	<p>If you have Call Waiting, Caller ID, Call Waiting/Caller ID, Ring Master, Voice Mail, an answering machine, alarm system or any other custom features on a single phone line with your fax machine, it may create a problem sending or receiving fax data.</p> <p>Example #1: If you are having a telephone conversation and a fax communication signal comes through on your Call Waiting Caller ID feature, you can verify that the second call is a fax by switching to it. You have the option to receive the fax call, by asking the first caller to hang up to clear the line.</p> <p>Example #2: If you are sending or receiving a fax message while a Call Waiting Caller ID (or other custom feature) signal comes through on the line, the signal can temporarily interrupt or disrupt the fax data. Brother's ECM feature should help overcome this problem. This condition is related to the telephone system industry, and is common to all devices that send and receive information on a single, shared line with custom features. If avoiding a slight interruption is crucial to your business, a separate line with no custom features is recommended.</p>
► Copy Quality Difficulties	Vertical streaks appear in copies.	Sometimes you may see vertical streaks on your copies. Either the scanner or the primary corona wire for printing is dirty. Clean them both. (See pages 17-21 and 17-22.)

► **General
Printing
Difficulties**




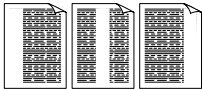
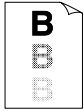
Difficulty	Suggestions
The machine does not print.	Check the following: <ul style="list-style-type: none"> • The machine is plugged in. (See page 2-8.) • The toner cartridge and drum unit are installed properly. (See page 2-3.) • The interface cable is securely connected between the machine and computer. (See page 12-3 or 12-9 for MFC 8300, or See MFC Software Manual page 2-3 or 2-10 for MFC 8600 and MFC 8700.) • Check to see if LCD is showing an error message. (See page 17-2.)
The machine prints unexpectedly or it prints garbage.	Reset the machine or unplug the electrical cord and plug it back in. Check the primary settings in your application software to make sure it is set up to work with your machine.
The machine cannot print full pages of a document.	The machine received a very complex print job and could not process part of the page. This print may be solved in several ways. If you are using Windows® 3.1x, Windows® 95/98 or Windows NT® Workstation Version 4.0 with the supplied printer driver, see the “Windows® Setup Printing Problems” section. Try to reduce the complexity of your document or reduce print resolution.
The machine prints first couple of pages correctly, then some pages have text missing.	Your computer is not recognizing the printer’s input buffer full signal. Please make sure to connect the printer cable correctly.
The machine cannot print full pages of a document. A MEMORY FULL message occurs.	<ul style="list-style-type: none"> • Reduce the printer resolution. Reduce the complexity of your document and try again. Reduce the graphic quality or the number of font sizes within your application software. • Expand the printer memory by installing one of the optional memory boards (ME8000 or ME16000).
My headers or footers appear when I view my document on the screen but do not up when I print them.	Most laser printers have a restricted area that will not accept print. Usually these are the first two lines and last two lines, leaves 62 printable lines. Adjust the but do not show up when show top and bottom margins in your document to allow for this.
I cannot print from my application software.	Make sure the Windows® printer driver is installed and you select it in your application software.

► **Windows®
Setup
Printing
Difficulties**

	Difficulty	Suggestions
► DOS Setup Printing Difficulties	I cannot print from my application software.	Check that the DOS application software interface settings match those of your printer: for example, if you are using a parallel printer cable, you would probably set your DOS software printer port to LPT1. Check for an error message on the LCD.
	The machine prints, but it prints incorrect information. Sometimes it prints a couple of characters and then ejects the pages, etc.	This is an indication that your application printer emulation Prints setting and the machine's printer emulation do not match. Check your application software to make sure you selected the correct printer driver. The machine emulates HP LaserJet IIP. Try setting the machine to HP emulation in Remote Printer Console and then select the HP LaserJet IIP printer in your application software.
	The machine prints the part of my document but does not print the last page (The LCD shows REMAINED DATA).	This is common problem first with database software and part of spreadsheet software when they are not correctly set up. The data has been sent to the printer but the printer did not receive the Page Eject command. Press [FF/Cont] to eject the page. Then ask your software supplier how to add a Page Eject (or Form Feed) command to the end of your print job.
	How can I change the user settings or default settings on the machine?	Use the Remote Printer Console (RPC) program.
► Paper Handling Difficulties	The machine does not load paper. The LCD shows CHECK PAPER or PRINTER JAM.	Check to see if the CHECK PAPER or PRINTER JAM message appears on the LCD. If so, the multi-purpose paper cassette may be out of paper or not properly installed. If it is empty, load a new stack of paper into the feeder. If there is paper in the multi-purpose paper cassette, make sure it is straight. If the paper is curled, you should straighten it. Sometimes it is helpful to remove the paper, turn the stack over and put it back into the multi-purpose paper cassette. Reduce the amount of paper in the multi-purpose paper cassette, then try again. Check the manual feed mode is not selected in the printer driver.
	The machine does not feed paper from the manual feed slot.	Reinsert the paper firmly, load one sheet at a time. Make sure that manual feed mode is selected in the printer driver.
	How can I load envelopes?	You can load envelopes from the manual feed slot. Your application software must be set up to print the envelope size you are using. This is usually done in the Page Setup or Document Setup menu of your software. Refer to your software application manual.

	Difficulty	Suggestions
► Paper Handling Difficulties (Cont.)	What paper can I use?	You can use plain paper, envelopes, transparencies, labels and organizer paper. (For information on paper you can use, see Acceptable Paper, on page 2-5.)
	How can I clear paper jams?	See Printer Jams, on page 17-6.
► Print Quality Difficulties	Printouts are too dark or light.	Adjust the print conditions by setting the Print Density function. It has been factory set to the middle position. (See Setting the Print Density, on page 5-6.)
	Printed pages contain white stripes.  White Stripes or Faint Images	You may fix this by wiping the scanner windows with a clean soft cloth. (See Routine Maintenance and Cleaning the Drum Unit, on pages 17-21 and 17-22.) If you still see white stripes or faint images and the display shows CHANGE DRUM SOON, replace the drum unit with a new one. Check the machine's environment. Conditions such as humidity, high temperatures, etc. may cause this print defect to occur.
	Printed pages are stained corona with toner or have vertical stripes.  Dark Stripes or Toner Stains	Clean the machine's interior and the primary wire of the drum unit. (See Routine Maintenance and Cleaning the Drum Unit, on pages 17-21 and 17-22.) Make sure that the tab of the corona wire is at the home position. If after cleaning, you still see dark stripes or toner stains and the display shows CHANGE DRUM SOON, replace the drum unit with a new one.
	Printed pages have white spots in black text and graphic areas.  White Spots	Make sure that you use paper that meets the specifications. Rough surface or thick media can cause the problem. If you still see white spots and the display shows CHANGE DRUM SOON, replace the drum unit with a new one. Check the machine's environment; conditions such as high humidity may cause this situation to occur.
	Toner scatters and stains the printed page.  Scattering Toner	Adjust the print conditions by setting the Print Density function. Remove the drum unit and clean the machine's interior. (See Routine Maintenance, Cleaning the Printer and Cleaning the Drum Unit, on pages 17-21 and 17-22.) Make sure that you use paper that meets specifications. (See page 2-6.) If you still have scattered toner and the display shows CHANGE DRUM SOON, replace the drum unit with a new one. Check the machine's environment; high temperature and high humidity conditions may cause this condition to occur.

► **Print Quality Difficulties (Cont.)**

Difficulty	Suggestions
<p>The whole page is printed black.</p>  <p>Black Page</p>	<p>Clean the machine's interior and the primary corona wire of the drum unit. (See pages 17-21~22.) Also, do not use heat-sensitive paper as it will cause this problem. After cleaning, if the printed pages are still black or the display shows CHANGE DRUM SOON, replace the drum unit with a new one. The drum unit may be damaged.</p>
<p>Nothing is printed on the page.</p>  <p>White Page</p>	<p>Make sure that the toner cartridge is not empty. Wipe electric terminals referring to Routine Maintenance, Cleaning the Printer and Cleaning the Drum Unit, on pages 17-21 and 17-22. Make sure that a torn piece of paper does not remain on the scanner window.</p>
<p>Printed pages are marked at regular intervals.</p>  <p>Example of Regular Marking</p>	<p>Markings may disappear by themselves. Try copying multiple pages to clear this problem. Markings may occur if the machine has not been used for a long time. A possible cause is that the surface of the drum is scratched. You must then replace the drum unit with a new one. If the markings do not disappear, it may be that the drum was marked or damaged by excessive exposure to light. In this case, replace the drum unit with a new one.</p>
<p>Printed pages are blurred at the center or at either edge.</p>  <p>Blurred Page</p>	<p>Certain environmental conditions such as humidity, high temperatures, etc. may cause this condition to occur. Make sure the machine is placed on a flat, horizontal surface. Remove the drum unit with the toner cartridge installed. Try rocking them from side to side. You may clear a blurred page by wiping the scanner windows with a clean soft cloth. (See Routine Maintenance, Cleaning the Printer and Cleaning the Drum Unit, on pages 17-21 and 17-22.) If a blurred page occurs after cleaning and the display shows CHANGE DRUM SOON, replace the drum unit with a new one.</p>
<p>Ghost images appear on printed page.</p>  <p>Ghost Images</p>	<p>Adjust the print conditions by setting the Print Density function. Make sure that you use paper that meets the specifications. Rough surfaces or thick media can cause a ghost image. Make sure that you select the appropriate media type in the printer driver.</p>



The drum unit is a consumable item and it is necessary to replace it periodically.

Difficulties Setting up the Software

(For Windows® 3.1x Users)

Graphics or Text Is Missing in the Printout

This could be caused by your Display Driver software. Contact your reseller to inquire about the latest Display Driver software. Another solution is to change your Windows® Setup Display selection from the current selection to the standard VGA or SVGA selection. Contact your reseller or Microsoft Support if you need help modifying your Windows® Display selection or installing new Display Driver software.

Problem Using the HP Pavilion PC and the “HP DEMO” Screen Saver

If you select the “HP Demo” screen saver on your HP Pavilion PC after you have installed the Multi-Function Link® Pro software, the System.ini file is overwritten and you cannot use the Brother machine to print, scan, or for Remote Setup.

If you have used the HP Demo screen saver already, you must edit the System.ini file as follows:

```
[boot]
```

```
;comm.drv=comm115.drv
```

```
comm.drv=brmfcomm.drv
```

```
[386Enh]
```

```
DEVICE=C:\WINDOWS\SYSTEM\Bi-Di.386
```

If you do not want to edit the System.ini file, please change the screen saver to another one and Re-install Multi-Function Link® Pro again.

Bi-Directional Parallel Ports (nibble and byte modes)

The machine supports both nibble (AT) and byte (Bi-directional) mode parallel ports. If your PC supports byte mode, scanning and fax reception will be at a faster speed. To verify or change the parallel port mode, please check your system BIOS in the CMOS Setup or *contact your computer manufacturer for assistance*.



Some older PC models support only nibble mode. Generally, newer models support both nibble and byte modes.

Machine Connect Failure or Bi-Directional Communication Error

Recently, some printers have included a function that shows the printer status on the PC display. Such printers use the bi-directional communication parallel port between the printer and the PC. Our machines have a bi-directional parallel port function. Since Windows® 3.1x does not support bi-directional communication on the parallel port, each peripheral vendor has developed and supplied a bi-directional device driver, which will be installed into Windows® 3.1x. If you install two or more different bi-directional device drivers into Windows®, they may conflict with each other and cause problems.

Please make sure you have installed the Brother printer driver, by executing SETUP.EXE from your CD-ROM drive, following the instructions on the CD-ROM label. The bi-directional communication may be disabled when the driver is installed from the Add menu in “Printers” of the Control Panel. Please restart Windows®.

Remove the conflicting situation caused by one of the following printer drivers. Review the following sections that apply to any additional printer drivers you may have installed into your Windows® software.

Brother HL-6/6V/10h/630series/660series/960/1260/WL-660
HP LaserJet series II, IID, IIP, IIP+, III, IIID, IIIP or IV Plus
NEC SuperScript 610/660
EPSON ActionLaser 1100/1400
LexMark WinWriter 200

Brother HL-6/6V/10h/630series/660series/960/1260/WL-660:

The Resource Manager for your machine’s Brother printer drivers may not work if the printer drivers for the above laser printers models are installed *after* the installation of the Brother printer drivers.

In this case, please install the Brother printer drivers again or copy BI-DI.386 from the CD-ROM to the Windows/System directory. (NOTE: BI-DI.386 on the CD-ROM is not compressed.)

EPSON ActionLaser 1100 / 1400:

Please remove the EPSON Action Laser 1100/1400 driver by running the EPDELETE.EXE file in the Windows® Printer Driver for these models.

HP LaserJet series II, IID, IIP, IIP+, III, IIID or IIIP:

If Microsoft Windows® Printing System is used for the above models, you must modify the “win.ini” file in the Windows® directory to turn the machine’s bi-directional function off.

We recommend that you do a back-up before you modify the WIN.INI or SYSTEM.INI files, just in case.

Open the “win.ini” file using the “Notepad” application. Look for the following statement in the [spooler] section:

```
[spooler]
QP.LPT1 = wpsljqp.dll
```

Then disable this function, by adding a semicolon at the beginning of the above sentence as follows:

```
[spooler]
;QP.LPT1 = wpsljqp.dll
```

Then, open the “system.ini” file using the “Notepad” application. Look for the following statement in the [386Enh] section:

```
[386Enh]
device=wpsljvpd.386
:
:
```

```
WPSLPT1=1
```

Then disable this function, by adding a semicolon at the beginning of the above sentences as follows:

```
;device=wpsljvpd.386
:
:
;WPSLPT1=1
```



You must restart Windows® to make these modifications effective.

These modifications disable the printer status reporting on your PC; however, you will be able to use the machine without further problems.

HP LaserJet 4 Plus:

Please uninstall the Main Status window by double-clicking the Un-install Status window in HP LaserJet group.

NEC SuperScript 610/660:

Please remove the NEC SuperScript driver by running the NECDELET.EXE file in Disk 1 that is included with NEC printers.

Lexmark WinWriter 200:

You must modify the “win.ini” and “system.ini” files in the Windows® directory to turn off the printer's bi-directional function.

We recommend that you backup the WIN.INI and SYSTEM.INI files before you modify them.

Open the “win.ini” file using the “Notepad” application. Look for the following statement in the [windows] section:

```
[windows]
run=C:/WINDOWS/SYSTEM/WPSIOMON
```

Then disable this function, by adding a semicolon at the beginning of the above sentence as follows:

```
[windows]
;run=C:/WINDOWS/SYSTEM/WPSIOMON
```

Look for the following statement in the [spooler] section:

```
[spooler]
QP.LPT1=wpslbq.dll
```

Then disable this function, by adding a semicolon at the beginning of the above sentence as follows:

```
[spooler]
;QP.LPT1=wpslbq.dll
```

Then, open the “system.ini” file using the “Notepad” application. Look for the following statement in the [386Enh] section:

```
[386Enh]
device=wpscomd.386
device=wpsljvpd.386
:
:
```

```
WPSLPT1=1
```

Then disable this function, by adding a semicolon at the beginning of above sentences as follows:

```
[386Enh]
;device=wpscomd.386
;device=wpsljvpd.386
:
:
;WPSLPT1=1
```



You must restart Windows® to make these modifications effective.

These modifications disable the printer status reporting on your PC; however, you will be able to use the machine without further problems.

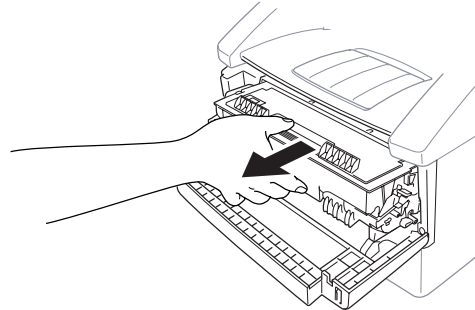
Packing and Shipping the Machine

Whenever you transport the machine, use the packing materials that came with your machine. Also, follow the steps below to pack the machine so it won't be damaged, which would void the machine's warranty.

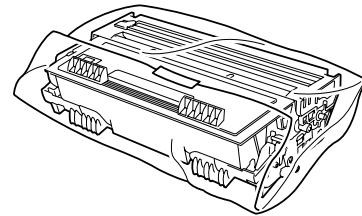
- 1 Remove the telephone line cord and unplug MFC from the AC outlet.
- 2 Open the front cover.
- 3 Remove the drum unit.

! Caution

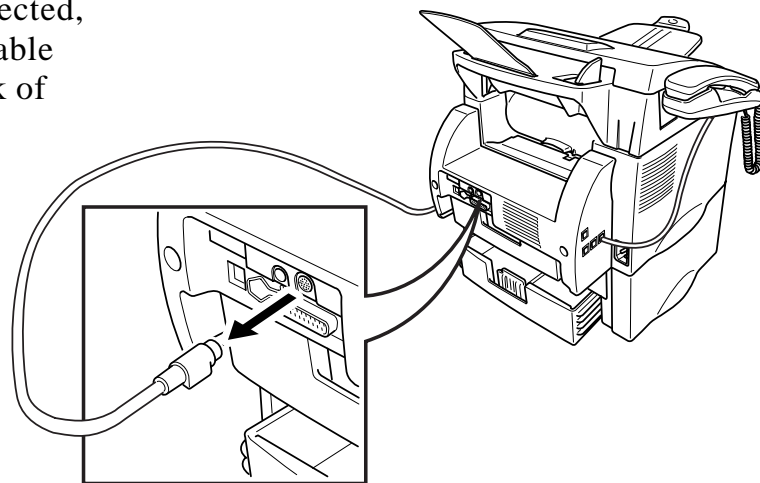
Remove the drum unit and toner cartridge assembly. Leave the toner cartridge installed in the drum unit.



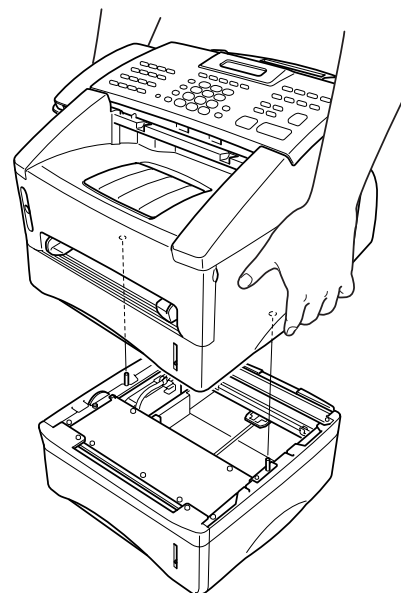
- 4 Place the drum unit and toner cartridge assembly into the plastic bag and seal the bag.



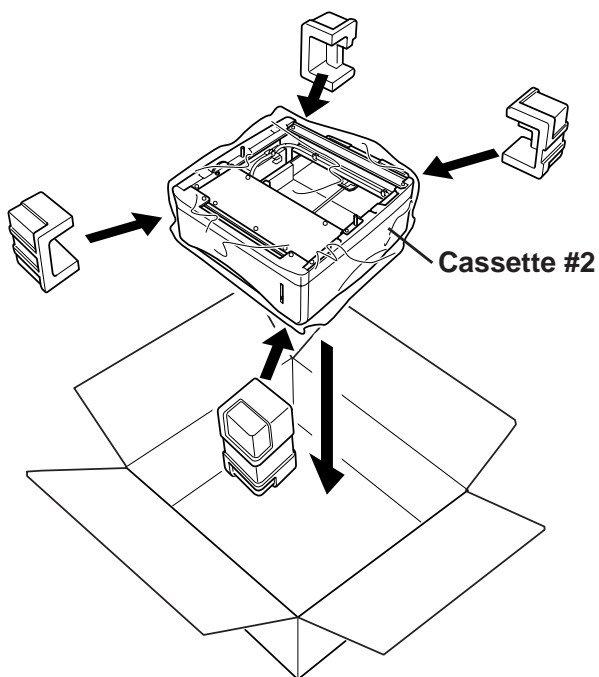
- 5 Close the front cover. Fold down the front output bin extension. Remove the telephone line cord, document tray, document support, handset, and handset cord, and pack them.
- 6 If Cassette #2 is connected, unplug the modular cable from the modular jack of the Brother machine.



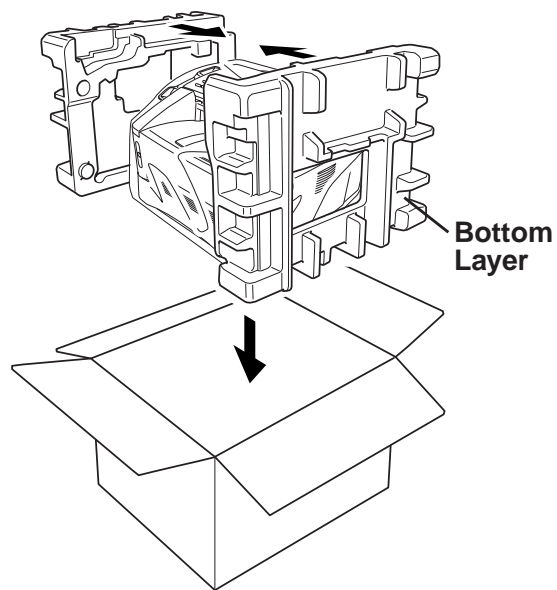
- 7** Carefully pick up the machine and remove Cassette #2 to pack it *separately*.



- 8** Wrap the machine in the plastic bag and place it in the separate original carton with the original packing material.

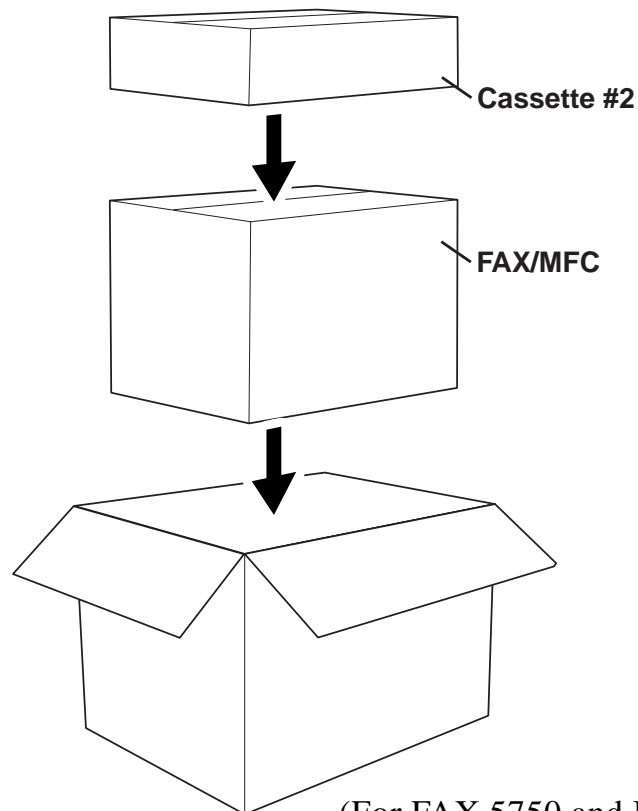
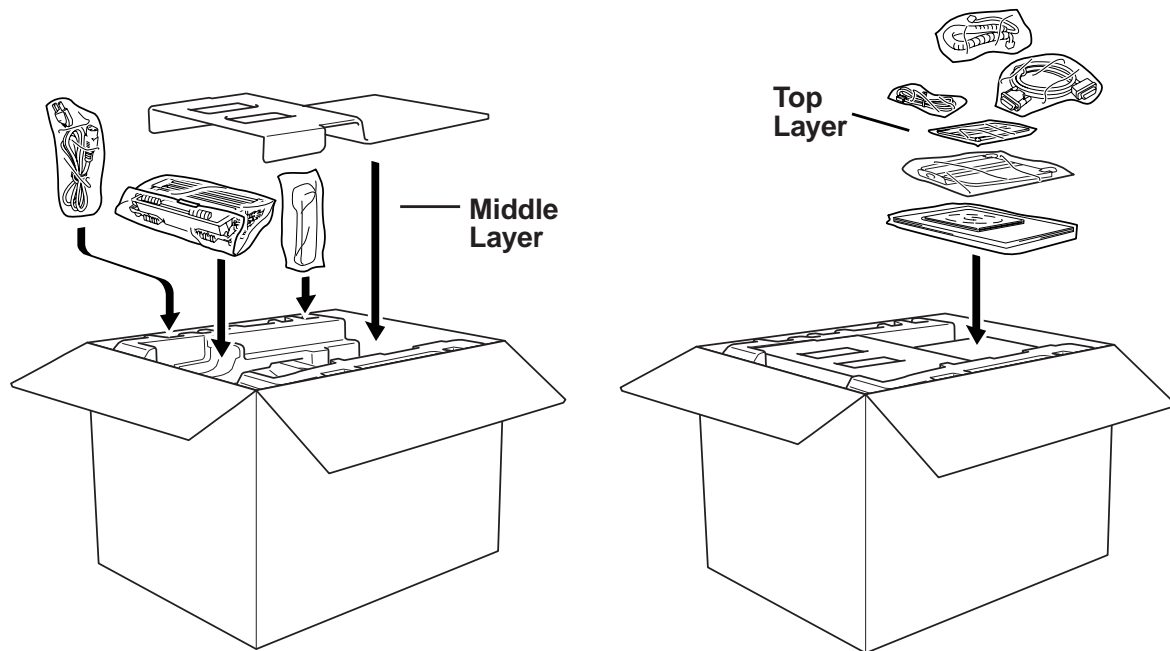


(For FAX 5750 and MFC 8700 only)



(For all models)

- 9** Place documents (manual and printed material) and the drum unit and toner cartridge assembly into the original carton as shown below:



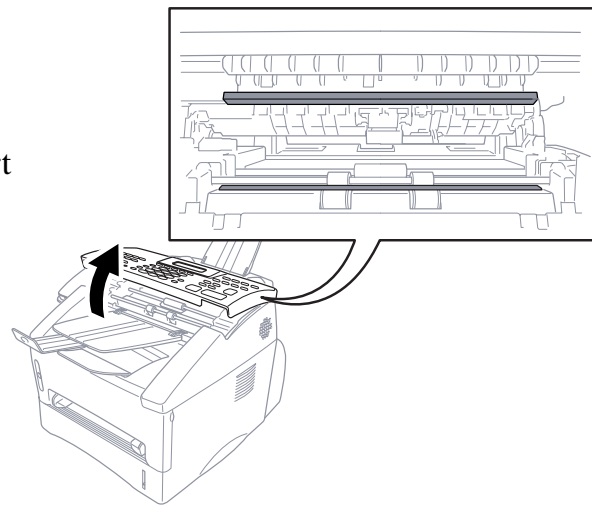
- 10** Close the carton and tape it shut.

Routine Maintenance

Keep your machine in optimum condition by cleaning it on a regular basis. It is a good idea to clean the drum unit during this routine. Avoid using thinners or other organic solvents and do not use water.

Cleaning the Document Scanner

- 1 Unplug the telephone line and then the power cord.
When you reconnect these lines later, connect the power cord *first*, then the telephone line.
- 2 Lift the control panel cover.
- 3 Clean the white bar and glass cover under the white bar.
Moisten a small, clean, soft, lint-free cloth with isopropyl alcohol and carefully remove dirt from the glass cover and the white bar.



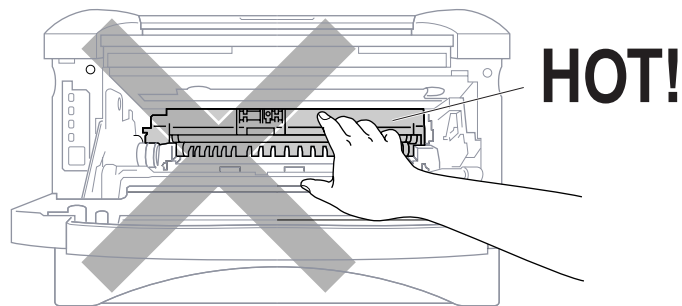
Cleaning the Printer

! Caution

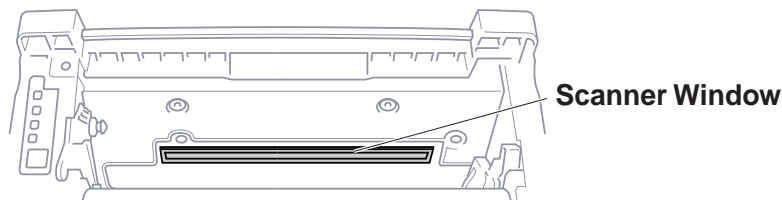
- Do *not* use isopropyl alcohol to remove dirt from the control panel. It may crack the panel.
 - Do *not* use isopropyl alcohol to clean the scanner window.
 - Do *not* touch the scanner window with your finger.
 - The drum unit contains toner, so handle it carefully. If toner scatters and your hands or clothes get dirty, immediately wipe or wash it off with cold water.
- 1 Open the front cover.
 - 2 Remove the drum unit assembly.

WARNING

Just after you have used the machine, some internal parts of the machine are extremely **HOT!** When you open the front cover of the machine, never touch the shaded parts as shown in the diagram below.



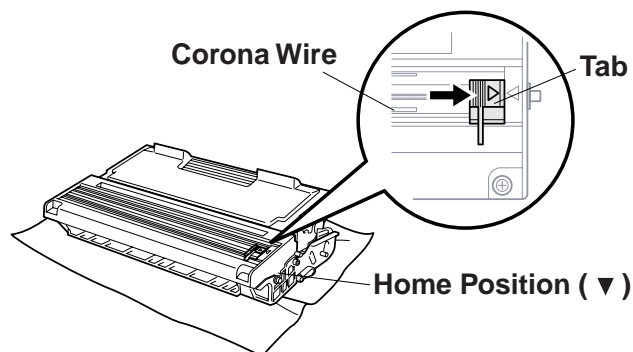
- 3 Gently clean the scanner window by wiping with a clean soft dry cloth. Do *not* use isopropyl alcohol.



Cleaning the Drum Unit

We recommend placing the drum unit on a drop cloth or large disposable paper to avoid spilling and scattering toner.

- 1 Clean the primary corona wire inside the drum unit by gently sliding the tab from right to left several times.
- 2 Return the tab and snap it into the home position (▼).



Caution

If the tab is not at the home position, printed pages may have vertical stripes.

- 3 Reinstall the drum unit into the machine.
(See Replacing the Drum Unit on page 17-26.)
- 4 Close the front cover.
- 5 Plug in the power cord *first*, then the telephone cord.

Replacing the Toner Cartridge

The machine can print *up to* 6,000 pages using a *high yield* toner cartridge. When the toner cartridge is running low, the display shows **TONER LOW**. The machine is supplied with a *standard* toner cartridge that must be replaced after approximately 3,000 pages. Actual page count will vary depending on your average document type (i.e., standard letter, detailed graphics).

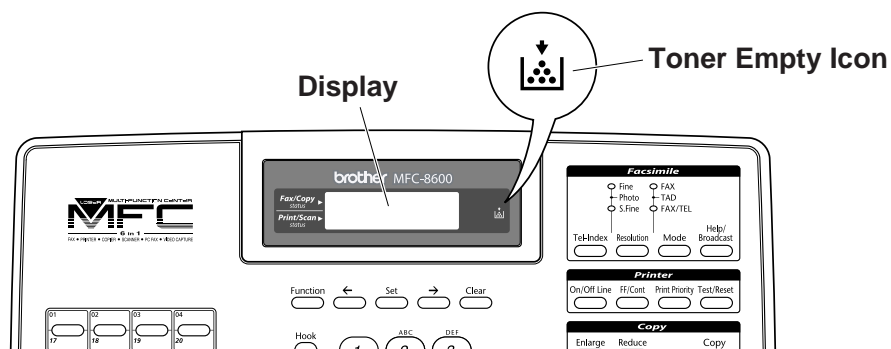
It is a good idea to keep a new toner cartridge ready for use when you see the toner low warning.

Discard the used toner cartridge according to local regulations. If you are not sure of them, consult Brother Customer Service. Be sure to seal the toner cartridge tightly so toner powder does not spill out of the cartridge. When discarding used toner cartridges, keep them separate from domestic garbage.

We recommend that you clean the machine when you replace the toner cartridge.

Toner Empty Indicator

When the toner cartridge is running low, the display shows **TONER LOW** and the Toner Empty icon on the control panel flashes on and off to indicate the toner is low.

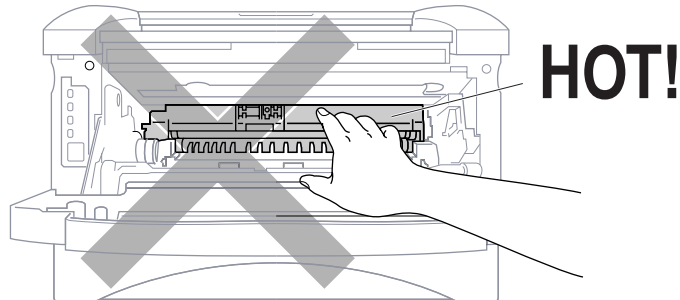


The Toner Empty icon appears and the display shows **TONER EMPTY**. Once this icon appears, your machine will not resume printing until you install a new toner cartridge.

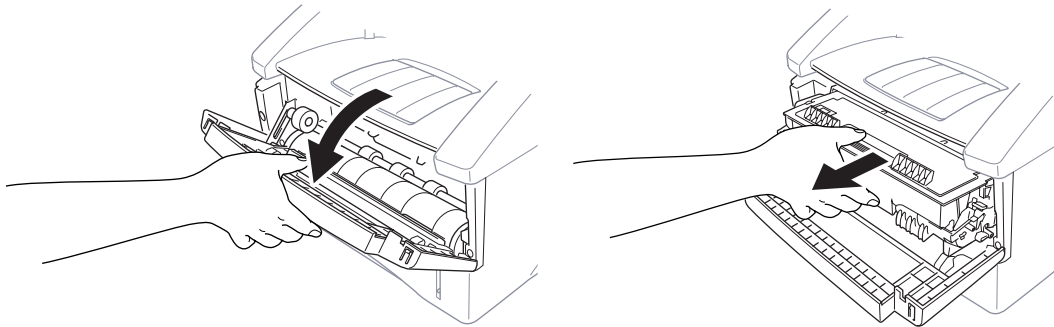
Replacing the Toner Cartridge

WARNING

Just after you use the machine, some internal parts of the machine will be extremely **HOT!** So, never touch the shaded parts shown in the illustration.

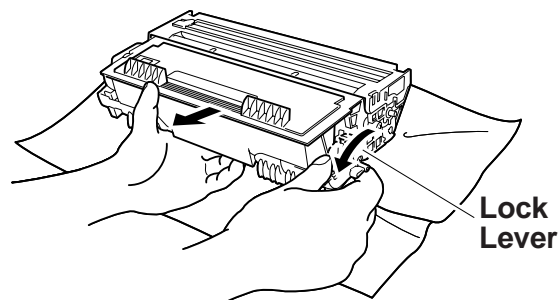


- 1 Open the front cover and pull out the drum unit.



Place the drum unit on a drop cloth or large piece of disposable paper to avoid spilling and scattering the toner.

- 2 Hold down the lock lever on the right and pull the toner cartridge out of the drum unit assembly.



Caution

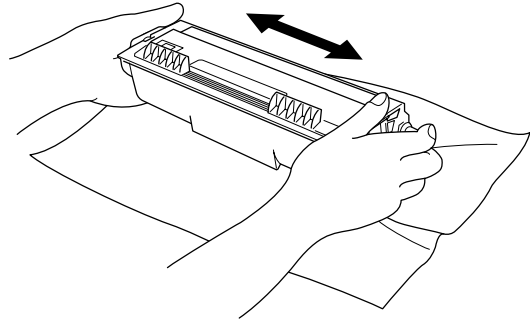
Handle the toner cartridge carefully. If toner scatters on your hands or clothes, immediately wipe it off or wash it with cold water.

- 3 Unpack the new toner cartridge. Place the used toner cartridge into the aluminum bag and discard it according to local regulations.

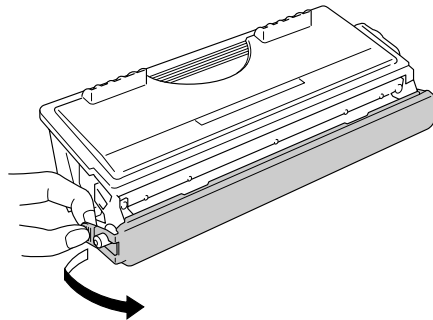
! Caution

- Wait to unpack the toner cartridge until immediately before you install it into the machine. If a toner cartridge is left unpacked for a long period of time, the toner life is shortened.
- You can use only a genuine Brother toner cartridge (**TN-430 or TN-460**), which is specially formulated to ensure top print quality. Using another brand of toner cartridge may void your machine's warranty.

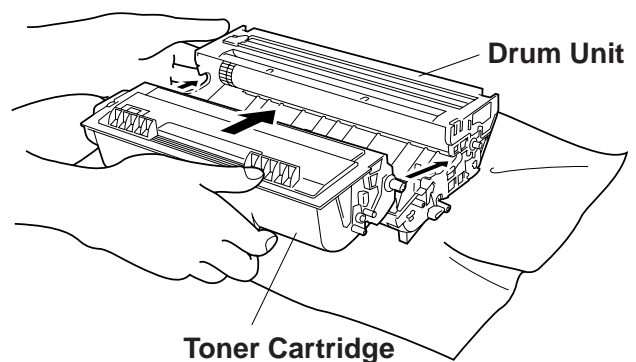
- 4** Gently rock the toner cartridge from side to side five or six times to distribute the toner evenly inside the cartridge.



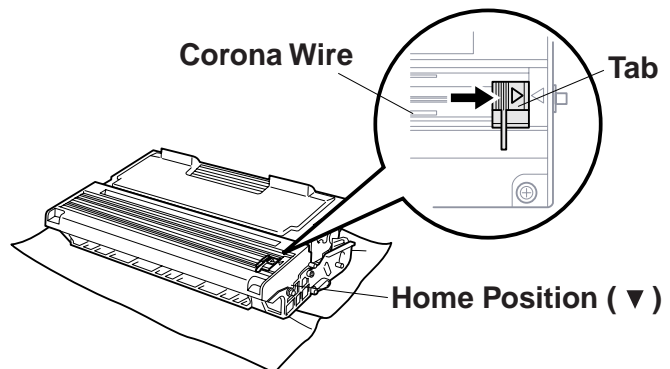
- 5** Remove the protective cover.



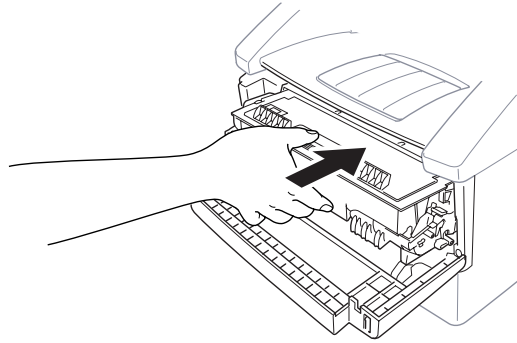
- 6** Install the new toner cartridge into the drum unit until it clicks into place.



- 7** Clean the primary corona wire inside the drum unit by gently sliding the blue tab from right to left several times. Return the blue tab to the home position before reinstalling the drum unit assembly.



- 8 Reinstall the drum unit and close the front cover.



Replacing the Drum Unit

The machine uses a drum unit to create print images on paper. If the screen displays **CHANGE DRUM SOON**, the drum unit is near the end of its life and it is time to purchase a new one.

Even if the display shows **CHANGE DRUM SOON**, you may be able to continue printing without having to replace the drum unit for a while. However, if there is a noticeable deterioration in the output print quality (even before **CHANGE DRUM SOON** is shown), then the drum unit should be replaced. You should clean the machine when you replace the drum unit. (See page 17-22.)

! Caution

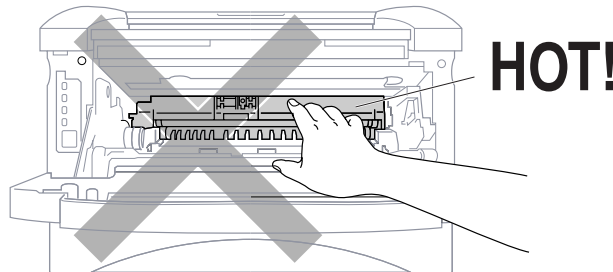
When removing the drum unit, handle it carefully because it contains toner. If toner scatters and your hands or clothes get dirty, immediately wipe or wash with cold water.



The drum unit is a consumable, and it is necessary to replace it periodically. There are many factors that determine the actual drum life, such as temperature, humidity, type of paper and how much toner you use for the number of pages per print job, etc. The estimated drum life is *up to 20,000 pages*. The actual number of pages your drum will print may be significantly less than these estimates. Because we have no control over the many factors that determine the actual drum life, we cannot guarantee a minimum number of pages that will be printed by your drum.

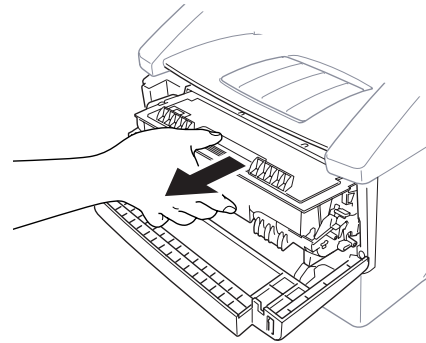
! WARNING

Just after you have used the machine, some internal parts of the machine are extremely **HOT!** So please be careful.

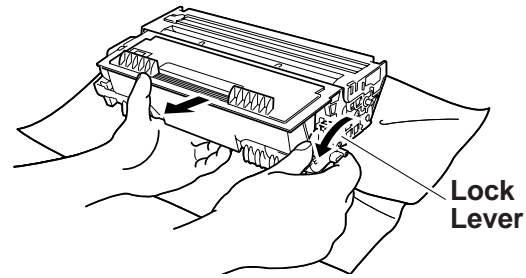


Follow these steps to replace the drum unit:

- 1 Open the front cover.
- 2 Remove the old drum unit.
Place the drum unit on a drop cloth or disposable paper to avoid scattering toner.



- 3 Hold down the lock lever on the right and pull the toner cartridge out of the drum unit assembly. (See Replacing the Toner Cartridge, page 17-23.)



- 4 Discard the used drum unit according to local regulations. If you are not sure of them, call your local Sanitation Department. Be sure to seal the drum unit tightly so toner powder does not spill out of the unit. When discarding used drum units, keep them separate from domestic garbage.
- 5 Wait to unpack the new drum unit until immediately before installing it. Place the old drum unit into the aluminium bag and discard it according to local regulations.
- 6 Reinstall the toner cartridge into the new drum unit. (See Replacing the Toner Cartridge, page 17-23.)
- 7 Reinstall the new drum unit, keeping the front cover *open*.
- 8 Press **Clear**.
- 8 Press **1** and when the display shows ACCEPTED, and close the front cover.

```
REPLACE DRUM?  
1.YES 2.NO
```

! Caution

If toner scatters and your hands or clothes get dirty, immediately wipe off or wash with cold water.

Checking the Drum Life

You can see the percentage of the drum's life that remains available.

- 1 For the FAX, press **Function**, **0**, **4**.
For the MFC, press **Function**, **1**, **0**, **4**.
- 2 For five seconds, the screen displays the available percentage of drum life.

```
DRUM LIFE  
REMAINING: 70%
```

- 4 Even if the remaining drum life is 0%, you may continue to use the drum unit until you have a print quality problem.

Using Your Brother Machine with Your Apple® New Power Macintosh® G3 or iMac™

(For MFC 8300 Only)

For USB equipped Apple New Power Macintosh G3 or iMac with Mac OS 8.5/8.6

.....



This chapter is for the MFC 8300. If you have a MFC 8600 or MFC 8700, please see the Multi-Function Center Software Manual.


The connection, installation and operation instructions are available on the bundled CD-ROM for your USB equipped Apple Macintosh or iMac with Mac OS 8.5/8.6.

- 1 Set up your MFC and make sure that it is working properly.
- 2 Unplug the MFC's AC power cord and turn off the AC power to your Macintosh or iMac.
- 3 Connect a standard USB cable to both the MFC and Macintosh or iMac.

Install Brother Printer Driver for MFC 8300

- 1 Turn on the power to your Macintosh G3 or iMac and wait for the startup process to be completed.
- 2 Plug in the MFC power cord to turn it on.
- 3 Insert the Brother CD-ROM into your CD-ROM drive. The Brother icon will appear on the desk top.
- 4 Double-click the Brother icon to open the CD.
- 5 Double-click the Brother icon again to run Start. The screen of Brother options will appear:



- 6 Click **Install MFC Print Driver** to begin the installation and follow the instructions on the screen.
 - 7 After you have installed the Driver, click **View On-Line Documentation** for operation instructions.
-  Restart your Macintosh/iMac so it recognizes the new drivers.

Specifications



Product Description

Six performance modes are available for the 6in1 model MFC8600 and MFC 8700: Fax, Printer, Copier, Scanner, PC Fax and Video Capture.




The MFC 8300 is a 3in1 model: Fax, Printer, Copier.

The FAX 4750 and FAX 5750 are a plain paper fax models.

Fax Specifications

Coding System	MH/MR/MMR/JBIG: FAX 5750 and MFC 8700 MH/MR/MMR: FAX 4750, MFC 8300 and MFC 8600
Modem Speed	33600-2400 bps; Automatic Fallback: FAX 5750 14400-2400 bps; Automatic Fallback: FAX 4750, MFC 8300, MFC 8600 and MFC 8700
Document Input Width	5.8 inches to 8.5 inches (148 mm to 216 mm)
Document Input Length	3.9 inches to 14.1 inches (100 mm to 360 mm)
Printing Width	8.2 inches (208 mm)
Scanning Width	8.15 inches (207 mm)
Paper Size	Letter/Legal/A4
Multi-purpose Paper Cassette	250 sheets (20 lbs)
Gray Scale	64 levels
Polling Types	Standard or Sequential
Contrast Control	Automatic/Super Light/Super Dark (manual setting)
Resolution	<ul style="list-style-type: none">• Horizontal Standard, Fine, Superfine 203dot/inch• Vertical Standard 98dot/inch Fine, Photo 196dot/inch Superfine 391dot/inch
One Touch dial	32 stations
Speed Dial	100 stations
Automatic Redial	3 times at 5 minute intervals
Speaker Type	Monitor
Auto Answer	0, 1, 2, 3 or 4 rings
Communication Source	Public switched telephone network

Printer Specifications

Emulation	Brother Printing System for Windows® and emulation mode of HP LaserJet IIP (PCL level 4, only for MFC models)
Printer Driver	Windows® 3.1x, Windows® 95/98 and Windows NT® Workstation Version 4.0 driver supporting Brother Native Compression mode and bi-directional capability
Interface	Bi-directional parallel (IEEE-1284); USB (Universal Serial Bus) Interface Using Windows® 98 Only: (MFC 8300, MFC 8600 and MFC 8700 only)
Memory Capacity	4 MB: FAX 4750, FAX 5750, MFC 8600 and MFC 8700 2 MB: MFC 8300
Print Method	Electrophotography by semiconductor laser beam scanning
Resolution	600 dots/inch
Print Quality	Normal printing mode Economy printing mode (saves up to 50% of the normal toner usage)
Print Speed	Up to 12 pages/minute (when loading letter size or A4 paper from paper cassette)
Print Media	Toner cartridge Life Expectancy: Up to 6,000 pages/ <i>high yield</i> toner cartridges Up to 3,000 pages/ <i>standard</i> toner cartridges (when printing letter size or A4 paper at 5% print coverage)
	Toner life expectancy will vary depending upon the type of average print job.
	Drum Unit Life Expectancy: up to 20,000 pages
	There are many factors that determine the actual drum life, such as a temperature, humidity, type of paper, toner you use, number of pages per print job, etc.
True Type Fonts on CD-ROM	TrueType compatible soft-fonts for Windows® on the bundled CD-ROM

Electrical and Environment

Temperature	(Allowable) 50 - 90.5° F (10 - 32.5° C) (Storage) 32 - 104° F (0 - 40° C)
Warm-Up	Max. 45 seconds at 73.4° F (23° C)
First Print	15 seconds (using Letter size paper in paper cassette)
Power Source	120V AC 50/60Hz (U.S.A, Canadian Version Only)
Power Consumption	Operating (Copying); 850 W or less (25° C) Sleep Mode: 9 W or less Stand by: 30 W or less (25° C)
Noise	Operating: 50 dB A or less Stand by: 39 dB A or less
Humidity	Operating: 20 to 80% (without condensation) Storage: 20 to 80% (without condensation)
Dimensions	17.1 x 17.4 x 17.0 inches/(435 x 442 x 432 mm); FAX 5750 and MFC 8700 17.1 x 17.4 x 12.7 inches/(435 x 442 x 323 mm); FAX 4750, MFC 8300 and MFC 8600
Weight	34.2 lbs/(15.5 kg); FAX 5750 and MFC 8700 26.4 lbs/(12 kg); FAX 4750, MFC 8300 and MFC 8600

Parallel Interface Specifications

Interface Connector Printer Side: Amphenol FCN-685J036-L/X or equivalent
A shielded cable should be used.

Pin Assignment

Pin No.	Signal	Direction	Pin No.	Signal	Direction
1	DATA STROBE	Input	19	0V(S.G.)	-
2	DATA 1	Input	20	0V(S.G.)	-
3	DTAT 2	Input	21	0V(S.G.)	-
4	DATA 3	Input	22	0V(S.G.)	-
5	DATA 4	Input	23	0V(S.G.)	-
6	DATA 5	Input	24	0V(S.G.)	-
7	DATA 6	Input	25	0V(S.G.)	-
8	DATA 7	Input	26	0V(S.G.)	-
9	<u>DATA 8</u>	Input	27	0V(S.G.)	-
10	<u>ACKNLG</u>	Output	28	0V(S.G.)	-
11	BUSY	Output	29	0V(S.G.)	-
12	PE	Output	30	<u>0V(S.G.)</u>	-
13	<u>SLCT</u>	Output	31	<u>INPUT PRIME</u>	Input
14	<u>AUTO FEED</u>	Input	32	<u>FAULT</u>	Output
15	N.C.	-	33	N.C.	-
16	0V (S.G.)	-	34	N.C.	-
17	0V (S.G.)	-	35	<u>N.C.</u>	-
18	+5V	-	36	<u>SLCT IN</u>	Input

USB (Universal Serial Bus) Interface Specifications

Pin Assignment

Pin No.	Signal	
1	Vol (+5V)	
2	- Data	Serial Data -
3	+ Data	Serial Data +
4	Ground	

Resident Fonts

The following bitmapped fonts are resident in the machine.

Brougham 10 (12 point) upright/normal

Brougham 12 (10 point) upright/normal

Letter Gothic 16.66 (8.5 point) upright/normal

(Portrait and Landscape are available for the above.)

Symbol Sets/Character Sets

*HP mode

- ISO14 JIS ASCII
- ISO57 Chinese
- ISO11 Swedish
- HP Spanish
- ISO17 Spanish
- ISO10 Swedish
- ISO16 Portuguese
- ISO84 Portuguese
- ISO85 Spanish
- PC-8
- PC-8 D/N
- PC-8 Turkish
- PC-850
- PC-852
- PC-860
- PC-865
- Roman 8
- ISO Latin 1
- (ECMA-94)
- ISO60 Norwegian 1
- ISO61 Norwegian 2
- ISO4 UK
- ISO25 French
- ISO69 French
- HP German
- ISO21 German
- ISO15 Italian
- ISO6 ASCII
- Legal
- ISO2 IRV
- PC-863



If you want to know which characters are in each symbol/character set, print the CHARSETS.PRN file from “The Print Form” option in the Direct Access Menu of the Remote Printer Console Program.

☐ HP LaserJet IIP

Roman 8											ISO Latin1																				
0	1	2	3	4	5	6	7	8	9	A	B	C	D	E	F	0	1	2	3	4	5	6	7	8	9	A	B	C	D	E	F
		0	@	P	'	p				À	Á	Â	Ã	Ä	Å			0	@	P	'	p			À	Á	Â	Ã	Ä	Å	
1		1	A	Q	a	q				Â	Ë	Ê	Ë	Ì	Í	1		1	A	Q	a	q			À	Á	Â	Ã	Ä	Å	
2		"	2	B	R	b	r			Ë	Ë	Ë	Ë	Ë	Ë	2		"	2	B	R	b	r			À	Á	Â	Ã	Ä	Å
3		#	3	C	S	c	s			Ë	Ë	Ë	Ë	Ë	Ë	3		#	3	C	S	c	s			À	Á	Â	Ã	Ä	Å
4		\$	4	D	T	d	t			Ë	Ë	Ë	Ë	Ë	Ë	4		\$	4	D	T	d	t			À	Á	Â	Ã	Ä	Å
5		%	5	E	U	e	u			Ë	Ë	Ë	Ë	Ë	Ë	5		%	5	E	U	e	u			À	Á	Â	Ã	Ä	Å
6		&	6	F	V	f	v			Ë	Ë	Ë	Ë	Ë	Ë	6		&	6	F	V	f	v			À	Á	Â	Ã	Ä	Å
7		'	7	G	W	g	w			Ë	Ë	Ë	Ë	Ë	Ë	7		'	7	G	W	g	w			À	Á	Â	Ã	Ä	Å
8		(8	H	X	h	x			Ë	Ë	Ë	Ë	Ë	Ë	8		(8	H	X	h	x			À	Á	Â	Ã	Ä	Å
9)	9	I	Y	i	y			Ë	Ë	Ë	Ë	Ë	Ë	9)	9	I	Y	i	y			À	Á	Â	Ã	Ä	Å
A		*	:	J	Z	j	z			Ë	Ë	Ë	Ë	Ë	Ë	A		*	:	J	Z	j	z			À	Á	Â	Ã	Ä	Å
B		+	;	K	[k	{			Ë	Ë	Ë	Ë	Ë	Ë	B		+	;	K	[k	{			À	Á	Â	Ã	Ä	Å
C		,	<	L	\	l				Ë	Ë	Ë	Ë	Ë	Ë	C		,	<	L	\	l				À	Á	Â	Ã	Ä	Å
D		-	=	M]	m	}			Ë	Ë	Ë	Ë	Ë	Ë	D		-	=	M]	m	}			À	Á	Â	Ã	Ä	Å
E		.	>	N	^	n	-			Ë	Ë	Ë	Ë	Ë	Ë	E		.	>	N	^	n	-			À	Á	Â	Ã	Ä	Å
F		/	?	O	_	o	~			Ë	Ë	Ë	Ë	Ë	Ë	F		/	?	O	_	o	~			À	Á	Â	Ã	Ä	Å

The following table shows characters available only in the corresponding character set. The numbers at the top of the table are code values with which characters are to be replaced in the Roman 8 character set. For other characters, see character set of Roman 8.

SYMBOL SET	23	24	40	5B	5C	5D	5E	60	7B	7C	7D	7E
ISO2 IRV	#	¤	@	[\]	^	`	{		}	~
ISO4 UK	£	\$	@	[\]	^	`	{		}	~
ISO6 ASCII	#	\$	@	[\]	^	`	{		}	~
ISO10 Swedish	#	¤	@	Ä	Ö	Å	^	`	ä	ö	å	~
ISO11 Swedish	#	¤	É	Ä	Ö	Å	Ü	é	ä	ö	å	ü
ISO14 JIS ASCII	#	\$	@	[¥]	^	`	{		}	~
ISO15 Italian	£	\$	§	°	ç	é	^	ù	à	ò	è	ì
ISO16 Portuguese	#	\$	§	À	Ç	Õ	^	`	ã	ç	õ	°
ISO17 Spanish	£	\$	§	¡	Ñ	¿	^	`	•	ñ	ç	~
ISO21 German	#	\$	§	Ä	Ö	Ü	^	`	ä	ö	ü	ß
ISO25 French	£	\$	à	°	ç	§	^	`	é	ù	è	¨
ISO57 Chinese	#	¥	@	[\]	^	`	{		}	~
ISO60 Norwegian1	#	\$	@	Æ	Ø	Å	^	`	æ	ø	å	~
ISO61 Norwegian2	§	\$	@	Æ	Ø	Å	^	`	æ	ø	å	
ISO69 French	£	\$	à	°	ç	§	^	μ	é	ù	è	¨
ISO84 Portuguese	#	\$	`	À	Ç	Õ	^	`	ã	ç	õ	~
ISO85 Spanish	#	\$	·	¡	Ñ	Ç	¿	^	•	ñ	ç	¨
HP German	£	\$	§	Ä	Ö	Ü	^	`	ä	ö	ü	ß
HP Spanish	#	\$	@	¡	Ñ	¿	°	`	{	ñ	}	~

Glossary

- Activity Report** Lists information about the last 50 incoming and outgoing faxes. TX means Transmit. RX means Receive.
- ADF (Automatic Document Feed)** Refers to the number of pages that can be placed in the document feeder and fed one at a time automatically.
- All Dial List** Listing of names and numbers stored in One Touch and Speed Dial memory, in numerical order.
- Automatic E-Mail Printing** Software application that automatically prints incoming e-mail messages on the machine (on CD-ROM).
- automatic fax transmission** Sending a fax without picking up the handset or pressing **Hook**.
- Automatic Redial** Feature enabling your machine to redial the last fax number if the original fax did not go through because the line was busy.
- batch transmission** As a cost savings feature, all delayed faxes to the same fax number will be sent as one transmission.
- beeper** The sound the keys make when they are pressed, an error occurs, or a document has been received or transmitted (programmable).
- broadcasting** Sending the same fax message to more than one location.
- Call Back Message** Allows you to send a fax and then leave a message for the other party to call you back.
- Call Reservation** Allows you send a fax and then speak with the other party at the end of transmission.
- Caller ID** Service purchased from the Telephone Company that lets you see the number (or name) of the party calling you.
- Call Waiting Caller ID (For FAX 4750, MFC 8300, MFC 8600 and MFC 8700 Only)** Subscribers to this service from the Telephone Company can see the Caller ID of a second call while on the telephone and can switch back and forth between two calls.
- Cancel Job** Cancels a programmed job, like Delayed Fax or Polling.
- CNG tones** Special tones (beeps) sent by fax machines during automatic transmission telling the receiving machine the caller is a fax machine.
- communication error (or Comm. Error)** An error during fax sending or fax receiving, usually caused by line noise or static.
- Coding Method** Method of coding the information contained in a document. All fax machines must use a minimum standard of Modified Huffman (MH). Your machine is capable of greater compression methods, Modified Read (MR) and Modified Modified Read (MMR), if the receiving machine has the same capability.
- Compatibility Group** The ability of one fax unit to communicate with another. Compatibility is assured between ITU-T Groups.

- Contrast** Setting to compensate for dark or light documents, by lightening dark documents or darkening light documents.
- Cover Page** Prints a page at the other party's machine that contains the sender and recipient's name and fax number, number of pages and comment. You can generate an electronic cover page at the other end with pre-programmed information from memory or you can print a sample cover page to fax with your document.
- Cover Page Message** The comment on the Cover Page (programmable).
- Delayed Fax** Sends your fax at a later time that day.
- Delayed Timer** You can program a certain time each day that all delayed faxes will be sent.
- Distinctive Ring** A service purchased from the Telephone Company that provides another phone number on an existing phone line. The Brother machine uses the new number to simulate a dedicated fax line.
- drum unit** A printing device for your machine.
- Dual Access** Your machine can scan outgoing faxes or scheduled jobs into memory at the same time it is sending, receiving or printing a fax.
- Easy Receive** Enables your machine to respond to CNG tones if you interrupt a fax call by answering.
- ECM (Error Correction Mode)** Detects errors during fax transmission and resends the page(s) of the document that had an error.
- Electronic Cover Page** Preprogrammed cover page sent from the machine's memory, eliminating the need for writing cover pages.
- extension phone** A telephone on the fax number that is plugged into a separate wall jack.
- external phone** A TAD (Telephone Answering Device) or telephone that is plugged into the EXT jack of your machine.
- F/T Ring Time** The length of time the machine rings (when the answer mode setting is FAX/TEL) to notify you to pick up a voice call that it answered.
- Fax Forwarding** Sends a fax received into memory to another preprogrammed fax number.
- Fax Receive** Press this code (*51) when you answer a fax call from an extension or external phone.
- Fax Storage** The machine can store faxes in memory for remote retrieval.
- FAX/TEL** You can receive faxes and telephone calls. Do not use this mode if you are using a telephone answering device (TAD).
- fax tones** The signals sent by sending and receiving fax machines while communicating information.
- Fine Mode** Resolution is 196 x 203 dpi. It is used for small print and graphs.
- Function Mode** Programming mode for changing your machine's settings.

- gray scale** The shades of gray available for copying and faxing photographs.
- group number** A combination of One Touch and/or Speed Dial numbers that are stored on a One Touch key for Broadcasting.
- Interrupt** Temporarily places a waiting job on hold while you perform another operation.
- interval** The preprogrammed time period between automatically printed Activity Reports. You can print Activity Reports on demand without interrupting this cycle.
- LCD (liquid crystal display)** The display screen on the machine that shows interactive messages during On-Screen Programming and defaults to the date and time when the machine is idle.
- manual fax** When you press **[Hook]**—**OR**—lift the handset so you can hear the receiving fax machine answer before you press **[Start]** to begin transmission.
- Memory Status List** Shows how much memory is being used, how much is left, and the type of messages in memory.
- memory usage** Instructs the machine how to allocate the memory.
- Multi-Function Link® Pro** Turns your machine into a printer and scanner and enables PC faxing using the machine.
- One Touch** Keys on the machine's control panel where you can store numbers for easy dialing. You must use a separate key for each number.
- Out of Paper Reception** Receives faxes into the machine's memory when the machine is out of paper.
- Overseas Mode** Makes temporary changes to the fax tones to accommodate noise and static on overseas phone lines.
- Paging** This feature enables your fax unit to call your pager when a fax is received into its memory.
- Pause** Allows you to place a 3.5 second delay in the dialing sequence stored in One Touch and Speed Dial numbers.
- Photo mode** A resolution setting that uses varying shades of gray for the best representation of photographs.
- polling** The process of a fax machine calling another fax machine to retrieve waiting fax messages.
- print reduction** Reduces the size of incoming faxes.
- Pulse** A form of dialing on a telephone line.
- Remaining Jobs** You can check which jobs are waiting in memory and cancel jobs individually.
- remote activation** Allows you to transfer a fax call, answered at an external or extension phone, to the machine.
- remote retrieval access code** The four-digit code (159✳) that allows you to call and access your machine from a remote location.

resolution The number of vertical and horizontal lines per inch. See: Standard, Fine, Super Fine and Photo.

Ring Delay Number of rings before your machine answers an incoming call.

Ring Volume Volume setting for the machine's ring.

Rotary A form of dialing on a telephone line.

scanning The process of sending an electronic image of an original paper document into your computer.

Speaker Volume You can set the volume when your machine is on Hook.

speed dial A preprogrammed number for easy dialing. You must press the Speed dial button and then two digit code to start the dialing process.

Standard resolution 98 x 203 dpi. For quickest transmission of regular size text.

Station ID The stored information that appears on the top of faxed pages. It includes the sender's name and fax number.

Super Fine resolution 392 x 203 dpi. Best for very small print and line art.

Telephone Answer Code (FAX/TEL mode only) When the machine answers a voice call, it double-rings. You can pick up at an extension or external phone by pressing this code (#51).

Tel Index An electronic, alphabetical listing of stored One Touch, Speed Dial and Group numbers.

Temporary Setting You can select certain options for each fax transmission without changing the default settings.

Tone A form of dialing on the telephone line used for Touch Tone telephones.

toner cartridge Accessory that holds toner for the drum unit on Brother laser models.

Toner Save A process of affixing less toner to the page to extend the life of the toner cartridge. This will make the print on received documents significantly lighter.

transmission The process of sending documents over the phone lines from your machine to the receiving fax machine.

True Type Fonts The fonts that are used in the Windows® operating systems. If you install the Brother True Type Fonts, more types of fonts will be available for Windows® applications.

User Option List Printed report showing your machine's settings.

Xmit Report (Transmission Report) A listing of each transmission, showing caller ID, date, time, and number of pages.

Index



A

- access codes, storing 8-2
- accessories and supplies ii
- ADF (automatic document feeder) 6-1
- answer mode 5-1
 - FAX 5-1
 - FAX/TEL 5-1. *See also FAX/TEL mode*
 - MANUAL 5-1
 - TAD, external 2-10, 5-1
- answering machine. *See TAD*
- Apple iMac computer, using with 18-1
- assembly 2-3
 - document tray 2-4
 - document wire 2-4
 - drum unit assembly 2-3
 - grounded 3-prong plug 2-9
 - handset 2-9
 - loading paper 2-8
 - power cord 2-9
 - telephone line cord 2-9
 - toner cartridge 2-3
- automatic
 - dialing 8-1
 - fax receive 5-1
 - fax redial 6-2
 - transmission 6-2

B

- beeper 4-4
- bi-directional parallel cable 12-9
- broadcasting 6-11
 - setting up groups for 7-3
- Brother
 - accessories and supplies ii
 - Bulletin Board i
 - contact numbers i
 - Customer Service i
 - fax-back system i
 - on the World Wide Web i
 - test sheet, sending 1-1
 - warranty
 - Notice-Disclaimer of Warranties iii

C

- Call Back message 6-9
 - print sample 6-10
- Call Reservation 6-9
- Call Waiting Caller ID 5-14
- Caller ID 5-13
- canceling
 - fax forwarding 9-1, 9-4, 9-6
 - fax jobs in memory 5-10
 - jobs awaiting redial 6-4
 - paging 9-4
 - print jobs 14-7
- cleaning
 - drum unit 17-22
 - printer 17-21
 - scanner 17-21
- CNG tones 1-6
- computer
 - Apple iMac 18-1
 - connection to Brother machine 12-3
 - requirements 12-2
- contrast 6-8
- control panel
 - FAX 4750 1-2
 - MFC 8300 1-4
 - MFC 8600 1-4
- converting telephone wall outlets 2-12
- copy(ies)
 - contrast 11-1
 - enlarging 11-3
 - multiple 11-2
 - photographs 11-3
 - quality 17-9
 - reducing 11-3
 - scannable area 11-1
 - single 11-1
 - sorting/collating 11-2
- cover page
 - composing 6-5
 - custom comments 6-6
 - for all faxes 6-7
 - for next fax only 6-6
 - printed form 6-7
- credit card numbers, storing 8-2
- custom telephone features 2-14, 17-9
- Customer Service i

D

- date and time setting 4-1
- delayed fax 6-10
 - interrupting 6-13
- dialing
 - access codes 8-2
 - automatic fax redial 6-2
 - credit card numbers 8-2
 - Groups 6-11
 - manually 8-1
 - mode 4-1
 - One Touch numbers 8-1
 - pulse (rotary) 8-3
 - Speed Dial numbers 8-2
 - telephone index 8-3
 - tone 8-3
- difficulties with machine. *See Troubleshooting*
- Distinctive Ring 5-11
- document jam 17-5
- drivers
 - installing for MFC 8300
 - iMac 18-1
 - Windows® Parallel 12-10
 - Windows® USB 12-4
 - printing 14-1
- drum unit
 - cleaning 17-22
 - installing 2-3
 - life remaining 17-27
 - replacing 17-26
- dual access 6-3

E

- Easy Receive 5-3
- ECM (Error Correction Mode) 1-6
- emergency numbers 16-1
- enlarge. *See copy(ies)*
- entering text 4-2
- envelopes
 - printing 14-2
 - size 2-6
- error messages on LCD 17-2~17-4
 - CHECK PAPER 17-2
 - COMM. ERROR 17-2
 - MEMORY FULL 17-3
 - while scanning a document 11-2
 - NOT REGISTERED 17-3
- extension telephones, using 5-7
- external TAD. *See TAD*
- external telephone 2-10

F

- fax codes
 - Fax Receive Code 5-7
 - Remote Access Code 9-3
 - Telephone Answer Code 5-7
 - troubleshooting 5-7
- Fax Forwarding
 - changing remotely 9-4, 9-6
 - programming a number 9-1
- Fax Receive Code 5-7
- Fax Storage
 - printing from 5-8
 - setting 9-2
- fax tones 1-6
- fax(es) in PC. *See Multi-Function Link® Pro*
- fax(es), stand-alone
 - receiving 5-1
 - difficulty 17-7
 - erasing from memory 9-4
 - forwarding 9-1, 9-4
 - polling 5-8. *See also polling*
 - reducing to fit on paper 5-4
 - retrieving from a remote site 9-5
 - sending 6-1
 - automatic fax redial 6-2
 - automatic transmission 6-2
 - broadcasting 6-11
 - canceling from memory 6-4
 - contrast 6-8
 - delayed 6-10
 - from memory (dual access) 6-3
 - in real time 6-3
 - manual transmission 6-2
 - overseas 6-9
 - polling 6-13
 - resolution 6-8
 - timer for delayed sending 4-6
- fax-back system i
- FAX/TEL mode
 - answering at extension phones 5-7
 - double ringing (voice calls) 5-2
 - F/T Ring Time, setting 5-2
 - Fax Receive Code 5-7
 - receiving faxes 5-7
 - Ring Delay, setting 5-2
 - Telephone Answer Code 5-7
- FCC notices 16-1~16-6
- FF/Cont key 14-7
- Fine. *See resolution*
- fixed reduction 5-4
- function(s)
 - mode 3-1
 - programming at-a-glance 3-2

G

- gray scale S-1
- Groups
 - dialing 6-11
 - setting up 7-3

H

- handset
 - connecting 2-9
 - volume 4-4
- hearing aid compatible 16-1
- Help List, printing 1-1
- hold 8-2

I

- improving print quality 17-21
- inserting spaces 4-3
- Internet address i

J

- jack(s)
 - converting wall jacks. *See triplex adapter*
 - EXT. jack
 - external telephone 2-10
 - TAD (answering machine) 2-10

L

- LCD (Liquid Crystal Display) 3-1
- location, choosing 2-2

M

- maintenance, routine 17-21
- manual
 - dialing 8-1
 - mode 5-1
 - transmission 6-2
- manual feed slot 2-6
- memory, additional 15-1
- memory full 17-3. *See error messages*
- Memory Status List 9-5
- Multi-Function Link[®] Pro
 - MF Link mode, turning on 5-10
 - printing 14-1
 - driver 14-1
 - receiving faxes
 - if you are having difficulty 17-7
 - sending faxes
 - if you are having difficulty 17-8
- multi-line connections (PBX) 2-14
- multi-purpose sheet feeder
 - capacity 2-8
 - loading paper 2-8

O

- OGM (outgoing message) 2-11
- On-Screen Programming 3-1
- On/Off Line key 14-7
- One Touch numbers
 - accessing with Shift key 7-1
 - changing 7-3
 - dialing 8-1
 - listing 10-1
 - storing 7-1
- optional accessories
 - memory 15-1
- overseas, sending faxes 6-9

P

- packing list 2-1
- paging
 - programming a number 9-2
- paper
 - size 2-6
 - setting 5-5
 - specifications S-1
- paper jam 17-5
- parallel interface cable 12-9
- pause 8-3
- PBX 2-14
- phone book. *See On-Line Documentation*
- phone line difficulties 17-8
- photo. *See resolution*
- polling
 - receiving 5-8
 - sending 6-13
 - interrupting 6-13
 - sequential receiving 5-9
- power
 - cord 2-9
 - electrical outlet 2-9
 - failure 4-5
- Print Priority key 14-7
- printer, cleaning 17-21
- printer emulation 14-1
- printer jam 17-5
- printing 14-1
 - density 5-6
 - difficulties 17-7
 - drivers for MFC 8300
 - iMac 18-1
 - Windows® 14-1
 - envelopes. *See envelopes*
 - PC software settings 14-1
 - quality 17-21
 - resolution S-2
 - specifications S-2
 - speed S-2
 - status 14-7
 - two-sided (manual duplexing) 14-2
 - Windows® 14-1

Q

- questions. *See Brother Fax-Back System*

R

- Real Time Transmission 6-3
- receiving faxes. *See fax(es), stand-alone and Multi-Function Link® Pro*
- redial 8-3
- redialing 6-2
- reducing
 - copies 11-3
 - long faxes 5-4
- remote codes for extension phones 5-7
- remote fax options 9-1
- remote printer console 14-1
- remote retrieval 9-3
 - access code
 - changing 9-3
 - using 9-3
 - checking what's in memory 9-5
 - commands 9-4
 - getting your faxes 9-5
 - Memory Status List 9-5
- reports 10-1
 - how to print 10-1
 - list of last 50 faxes 10-2
 - list of your stored numbers 10-1
 - proof fax was sent 10-2
 - types of 10-1
- Reset key (clear printer memory) 14-7
- resolution
 - fax (standard, Fine, Super Fine, Photo) S-1
 - multiple 6-12
 - printing S-2
 - setting for next fax 6-8
- ring volume 4-5
- rings, setting number of 5-2
- roll over phone lines 2-12

S

- safety instructions 16-4
- scanner, cleaning 17-21
- scanning into PC. *See Multi-Function Link® Pro*
- sending faxes. *See fax(es), stand-alone*
- sending to groups. *See broadcasting*
- setup
 - assembly. *See assembly*
 - date and time 4-1
 - Daylight Savings Time 4-6
 - station ID (fax header) 4-2
- shipping the machine 17-18
- simultaneous printing/fax 14-6
- Sleep Mode 4-6
- software. *See also Multi-Function Link® Pro*
 - for DOS users 13-1
 - True Type Fonts 12-8
- speaker volume 4-5
- Speed Dial
 - changing 7-3
 - dialing 8-2
 - storing 7-2
- Standard. *See resolution*
- Station ID (fax header) 4-2
 - Federal regulation 4-3
- suggestions. *See troubleshooting*
- Super Fine. *See resolution*

T

- TAD (telephone answering device),
 - external
 - answer mode 5-1
 - connecting 2-10
 - recording outgoing message 2-11
- Telephone Answer Code 5-7
- telephone, external 2-10
- telephone index (Tel-index) 8-3
- test
 - faxing 1-1
- text, entering 4-2
- timer 4-6
- toner cartridge
 - installing 2-3
 - replacing 17-23
- toner saver 5-6
- Transmission Verification 10-2
- transparencies 2-5
- triplex adapter 2-12
- troubleshooting
 - document jam 17-5
 - error messages on LCD 17-2
 - if you are having difficulty
 - DOS setup printing 17-11
 - incoming calls 17-9
 - paper handling 17-11
 - phone line connections 17-8
 - printer difficulties 17-10
 - printing or receiving faxes 17-7
 - sending faxes 17-8
 - Windows® setup printing 17-10
- machine 17-1
 - software 17-14. *See MFC manual*
- two-line phone system 2-12, 2-13
 - converting wall jacks 2-12

U

USB Interface 12-3
User Settings 10-1

V

video capture. *See Multi-Function Link® Pro*
voice calls
 FAX/TEL (double ring) 5-2
volume, setting
 beeper 4-4
 handset 4-4
 amplify 4-5
 ring 4-5
 speaker 4-5

W

Warranties
 Canada
 FAX and MFC viii
 USA
 FAX iv, v
 MFC vi, vii
Warranties-Notice of Disclaimer iii
World Wide Web i

Remote Retrieval Access Card

If you plan to receive fax messages while away from your machine, carrying the Remote Retrieval Access Card printed below will serve as a convenient reminder of the retrieval procedures. Simply cut out the card and fold it to fit your wallet or organizer. Keeping it handy will help you derive the full benefit of your machine's forwarding, paging and remote retrieval features.

REMOTE RETRIEVAL ACCESS CARD

CHECK RECEIVING STATUS
Press **9** **7** **1**
1 long beep — Fax message(s)
No beeps — No messages

CHANGE ANSWER MODE
Press **9** **8**
then for **TAD**, press **1**.
for **FAX/TEL (Fax/Telephone)**, press **2**.
for **FAX**, press **3**.

EXIT REMOTE OPERATION
Press **9** **0**.

Using Remote Access Code

- 1 Dial your fax number from a fax machine using touch tone.
- 2 When your machine answers and beeps, immediately enter your Remote Retrieval Access Code (159*).
- 3 Your machine signals the kinds of messages received:
1 long beep — Fax message(s)
No beeps — No messages.
- 4 After 2 short beeps, enter a command.
- 5 Press **9** **0** to reset your machine when you finish.
- 6 Hang up.

Fold →

← Fold

1

4

Changing Remote Retrieval Access Code

- 1 For the FAX, press [Function], [8], [3].
For the MFC, press [Function], [1], [8], [3].
- 2 Enter a three-digit number from 000 to 999.
The * cannot be changed.
- 3 Press [Sel].
- 4 Press [Stop] to exit.

Remote Commands

CHANGE PAGING/FAX FORWARDING SETTING

- Press [9] [5].
- then to Turn feature off, press [1].
Select Fax Forwarding, press [2].
Select Paging, press [3].

Program Fax Forwarding Number press [4].

- Enter the new fax number where you want your fax messages forwarded, and press [#] [#]. To retrieve a Memory Status List to check the new number, after two short beeps, press [9] [6] [1]. Enter the number of the remote fax machine, and press [#] [#].
- Turn Fax Storage on, press [6].
Turn Fax Storage off, press [7].

RETRIEVE A FAX

- Press [9] [6].
- then to Print a Memory Status List, press [1].
then enter the number of remote fax machine, and press [#] [#]. After the beep, hang up and wait.
- Retrieve all faxes, press [2].
then enter the number of remote fax machine, and press [#] [#]. After the beep, hang up and wait.
- Erase all fax messages, press [3].

Fold →

← Fold

2

3



Brother International Corporation
100 Somerset Corporate Boulevard
P.O. Box 6911
Bridgewater, NJ 08807-0911 USA

Brother International Corporation (Canada) Ltd.
1 rue Hôtel de Ville,
Dollard-des-Ormeaux, QC, CANADA H9B 3H6

Visit us on the World Wide Web
<http://www.brother.com>

These machines are made for use in the USA and CANADA only. We cannot recommend using them overseas because it may violate the Telecommunications Regulations of that country and the power requirements of your Multi-Function Center may not be compatible with the power available in foreign countries. **Using USA or CANADA models overseas is at your own risk and will void your warranty.**

UU2086001②
Printed in China