

PC800s/900s

SERVICE MANUAL

REVISION 0

| | | | |
|---|--|---------------------------------|---|
| PC860 (F13-8491 | TYA00001-) | PC940 (F13-8436 | TVD00001-) |
| PC880 (F13-8291 | TZA00001-) | PC941 (F13-8437 | TVE00001-) |
| PC890 (F13-8242 | UAA00001-) | PC950 (F13-8231 F13-8241 | TVF00001-) PUF00001-) PUG00001-) |
| PC920 (F13-8431 F13-8441 F13-8461 | TVB00001-) PUD00001-) PUE00001-) PUH00001-) | PC960 (F13-8434 | TVG00001-) |
| PC921 (F13-8432 | TVC00001-) | PC980 (F13-8232 | TVH00001-) |
| | | PC981 (F13-8233 | TVJ00001-) |

Canon

AUG. 1999

FY8-13GA-000

IMPORTANT

THIS DOCUMENTATION IS PUBLISHED BY CANON INC., JAPAN, TO SERVE AS A SOURCE OF REFERENCE FOR WORK IN THE FIELD.

SPECIFICATIONS AND OTHER INFORMATION CONTAINED HEREIN MAY VARY SLIGHTLY FROM ACTUAL MACHINE VALUES OR THOSE FOUND IN ADVERTISING AND OTHER PRINTED MATTER.

ANY QUESTIONS REGARDING INFORMATION CONTAINED HEREIN SHOULD BE DIRECTED TO THE COPIER SERVICE DEPARTMENT OF THE SALES COMPANY.

THIS DOCUMENTATION IS INTENDED FOR ALL SALES AREAS, AND MAY CONTAIN INFORMATION NOT APPLICABLE TO CERTAIN AREAS.

COPYRIGHT © 1999 CANON INC.

***Printed in Japan
Imprimé au Japon***

| |
|---|
| Use of this manual should be strictly supervised to avoid disclosure of confidential information. |
|---|

Prepared by

OFFICE IMAGING PRODUCTS TECHNICAL SUPPORT DIVISION

CANON INC.

5-1, Hakusan 7-chome, Toride-shi, Ibaraki 302-8501 Japan

INTRODUCTION

This service manual has been prepared for the PC800/900 Series machines, providing basic information used for servicing the machines in the field so as to ensure their quality and performance.


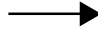
This service manual consists of the following chapters:

- Chapter 1 *General Description* introduces the machine's features, specifications, names of parts, and how originals are reproduced.
- Chapter 2 *Basic Operation* explains how copies are made on a step-by-step basis.
- Chapter 3 *Exposure System* discusses the principles of operation used for the machine's exposure system. It also explains the timing at which exposure-related mechanisms are operated, and shows how they may be disassembled/assembled and adjusted.
- Chapter 4 *Image Formation System* discusses the principles of operation used for the machine's image formation system. It also explains the timing at which image formation-related mechanisms are operated, and shows how they may be disassembled/assembled and adjusted.
- Chapter 5 *Pick-Up/Feeding System* discusses the principles of operation used for the machine's pickup/feeding system. It also explains the timing at which pickup/feeding-related mechanisms are operated, and shows how they may be disassembled/assembled and adjusted.
- Chapter 6 *Fixing System* discusses the principles of operation used for the machine's fixing system. It also explains the timing at which fixing-related mechanisms are operated, and shows how they may be disassembled/assembled and adjusted.
- Chapter 7 *Externals/Auxiliary Mechanisms* discusses the principles of operation used for the machine's externals/auxiliary mechanisms. It also explains the timing at which auxiliary mechanism-related mechanisms are operated, and shows how they may be disassembled/assembled and adjusted.
- Chapter 8 *ADF* explains the principles of operation of the ADF in view of electrical and mechanical functions and in relation to their timing of operation. It also shows how the unit may be disassembled/assembled and adjusted.
- Chapter 9 *Installation* introduces requirements for the site of installation, and shows how the machine may be installed using step-by-step instructions.
- Chapter 10 *Maintenance and Servicing* provides tables of periodically replaced parts and consumables/durables and scheduled servicing charts.
- Chapter 11 *Troubleshooting* provides tables of maintenance/inspection, standards/adjustments, and problem identification (image fault/malfunction).

Appendix contains a general timing chart and general circuit diagrams.

The following rules apply throughout this Service Manual:

1. Each chapter contains sections explaining the purpose of specific functions and the relationship between electrical and mechanical systems with reference to the timing of operation.

In the diagrams,  represents the path of mechanical drive—where a signal name accompanies the symbol , the arrow indicates the direction of the electric signal.

The expression “turn on the power” means flipping on the power switch, closing the front door, and closing the delivery unit door, which results in supplying the machine with power.

2. In the digital circuits, ‘1’ is used to indicate that the voltage level of a given signal is “High,” while ‘0’ is used to indicate “Low.” (The voltage value, however, differs from circuit to circuit.)

In practically all cases, the internal mechanisms of a microprocessor cannot be checked in the field. Therefore, the operations of the microprocessors used in the machines are not discussed: they are explained in terms of from sensors to the input of the DC controller PCB and from the output of the DC controller PCB to the loads.

The descriptions in this Service Manual are subject to change without notice for product improvement or other reasons, and major changes will be communicated in the form of Service Information bulletins.

All service persons are expected to have a good understanding of the contents of this Service Manual and all relevant Service Information bulletins and be able to identify and isolate faults in the machine.

- This service manual covers the models shown in the following table. Be sure to have a good understanding of the difference from model to model before referring to this manual.

| Model | Type code | Multi-feeder | Single feeder | Zoom | Default ratio | Density correction switch (SW101) | ADF as standard | Cassette | Copying speed (cpm) at Direct |
|-------|-----------|--------------|---------------|------|---------------|-----------------------------------|-----------------|------------|-------------------------------|
| PC860 | TYA | | √ | √ | 2R2E | √ | | 250 sheets | 12 |
| PC880 | TZA | √ | | √ | 2R2E | √ | | 250 sheets | 12 |
| PC890 | UAA | √ | | √ | 2R2E | √ | √ | 250 sheets | 12 |
| PC920 | PUD | | √ | √ | 2R2E | √ | | Universal | 10 |
| PC920 | PUE | | √ | √ | 2R2E | √ | | Universal | 10 |
| PC920 | PUH | | √ | √ | 2R2E | √ | | Universal | 10 |
| PC920 | TVB | | √ | √ | 3R1E | | | Universal | 10 |
| PC921 | TVC | | √ | | 3R1E | | | Universal | 10 |
| PC940 | TVD | | √ | √ | 3R1E | | | Universal | 13 |
| PC941 | TVE | | √ | | 3R1E | | | Universal | 13 |
| PC950 | PUF | √ | | √ | 2R2E | √ | | Universal | 12 |
| PC950 | PUG | √ | | √ | 2R2E | √ | | Universal | 12 |
| PC950 | TVF | √ | | √ | 3R1E | | | 500 sheets | 13 |
| PC960 | TVG | √ | | √ | 3R1E | | √ | Universal | 10 |
| PC980 | TVH | √ | | √ | 3R1E | | √ | 500 sheets | 13 |
| PC981 | TVJ | √ | | | 3R1E | | √ | 500 sheets | 13 |

The notation “√” indicates that the item in question is available.



CONTENTS

CHAPTER 1 GENERAL DESCRIPTION

| | | | |
|---------------------------|------|-----------------------------|------|
| I. FEATURES | 1-1 | IV. USING THE MACHINE | 1-15 |
| II. SPECIFICATIONS | 1-2 | A. Control Panel..... | 1-15 |
| A. Copier | 1-2 | V. ROUTINE MAINTENANCE | |
| B. ADF | 1-8 | BY THE USER | 1-17 |
| III. NAMES OF PARTS | 1-10 | VI. IMAGE FORMATION | 1-20 |
| A. External View | 1-10 | A. Outline | 1-20 |
| B. Cross Section | 1-13 | | |

CHAPTER 2 BASIC OPERATION

| | | | |
|----------------------------------|-----|-------------------------------|-----|
| I. BASIC OPERATIONS | 2-1 | D. Controlling the Main Motor | |
| A. Functional Construction | 2-1 | (M1) | 2-5 |
| B. Outline of Electrical | | E. Inputs to and Outputs from | |
| Circuitry | 2-2 | the DC Controller | 2-7 |
| C. Basic Sequence of | | | |
| Operations | 2-3 | | |

CHAPTER 3 EXPOSURE SYSTEM

| | | | |
|-------------------------------|-----|---------------------------------|------|
| I. OPERATIONS | 3-1 | A. Controlling the Scanning | |
| A. Outline | 3-1 | Lamp | 3-9 |
| B. Varying the Reproduction | | III. DISASSEMBLY/ASSEMBLY | 3-12 |
| Ratio | 3-2 | A. Scanner Drive Assembly | 3-13 |
| C. Lens Drive System | 3-3 | B. Lens Drive Assembly | 3-31 |
| D. Scanner Drive System | 3-4 | C. Exposure System | 3-37 |
| II. EXPOSURE SYSTEM | 3-9 | | |

CHAPTER 4 IMAGE FORMATION SYSTEM

- I. IMAGE FORMATION SYSTEM ... 4-1
 - A. Outline 4-1
 - B. Timing Chart for the Image Formation System 4-3
 - C. Controlling the Primary Charging Roller Bias 4-4
 - D. Controlling the Transfer Roller Bias 4-8
 - E. Controlling the Developing/ Separation Static Eliminator Bias 4-11
 - F. Measuring the Density of Originals 4-16
 - G. Controlling the Side Blanking Mechanism 4-21
- II. DISASSEMBLY/ASSEMBLY 4-22
 - A. Cartridge 4-23
 - B. Transfer Charging Assembly 4-25
 - C. Blank Exposure 4-26

CHAPTER 5 PICK-UP/FEEDING SYSTEM

- I. PICKUP/FEEDING SYSTEM..... 5-1
 - A. Outline 5-1
 - B. Controlling the Pickup Roller 5-3
 - C. Controlling the Movement of Paper 5-9
 - D. Detecting Jams 5-12
- II. DISASSEMBLY/ASSEMBLY 5-18
 - A. Pickup Assembly 5-19
 - B. Multifeeder Assembly 5-28
 - C. Single-feeder Assembly 5-31
 - D. Feeding Assembly 5-33
 - E. Registration Roller Assembly 5-34
 - F. Delivery Assembly 5-36

CHAPTER 6 FIXING SYSTEM

- I. OPERATIONS 6-1
 - A. Outline 6-1
 - B. Controlling the Fixing Temperature 6-3
- II. DISASSEMBLY/ASSEMBLY 6-10
 - A. Fixing Assembly 6-11

CHAPTER 7 EXTERNALS/AUXILIARY MECHANISMS

- I. FANS 7-1
- II. POWER SUPPLY SYSTEM 7-3
 - A. Outline of the Power Supply System 7-3
 - B. Power Supply Circuit 7-4
 - C. Detecting an Error on the Composite Power Supply PCB 7-6
 - D. Protecting the Power Supply Circuit 7-6
- III. DISASSEMBLY/ASSEMBLY 7-7
 - A. External Covers 7-8
 - B. Control Panel 7-15
 - C. Copyboard Glass 7-16
 - D. Main Motor/Main Drive Assembly 7-17
 - E. Electrical System 7-21

CHAPTER 8 ADF

- I. ADF 8-1
 - A. Outline 8-1
 - B. Basic Construction 8-2
 - C. Basic Operations 8-4
 - D. Detecting an Original 8-6
 - E. Pickup Operation 8-8
 - F. Delivery 8-12
 - G. Controlling the Pickup Motor 8-14
 - H. Controlling the Belt Motor .. 8-15
 - I. Detecting Original Jams 8-16
 - J. Power Supply 8-17
- II. DISASSEMBLY/ASSEMBLY 8-18
 - A. Removing the ADF 8-19
 - B. External Covers 8-21
 - C. Drive System 8-23
 - D. Feeding System 8-26
 - E. Electrical System 8-33

CHAPTER 9 INSTALLATION

- I. SELECTING A SITE 9-1
- II. UNPACKING AND INSTALLATION 9-2
 - A. Unpacking and Installation 9-2
 - B. Placing Copy Paper 9-9
- III. MOVING THE MACHINE 9-12

CHAPTER 10 MAINTENANCE AND SERVICING

- I. PERIODICALLY REPLACED PARTS 10-1
- II. DURABLES AND CONSUMABLES 10-1
- III. SCHEDULED SERVICING 10-1
- IV. STORING AND HANDLING THE CARTRIDGE 10-2
 - A. Storing the Cartridge with the Packaging Seal Intact 10-2
 - B. Storing and Handling the Cartridge with the Packaging Seal Removed 10-3

CHAPTER 11 TROUBLESHOOTING

| | | | |
|---|-------|---|-------|
| I. MAINTENANCE AND INSPECTION | 11-3 | A. Troubleshooting Malfunctions | 11-61 |
| A. Image Adjustment Basic Procedure | 11-3 | V. TROUBLESHOOTING FEEDING PROBLEMS | 11-75 |
| B. Points to Note for Servicing | 11-4 | A. Copy Paper Jam | 11-75 |
| II. STANDARDS AND ADJUSTMENTS | 11-5 | B. Faulty Feeding | 11-78 |
| A. Mechanical | 11-5 | VI. ARRANGEMENT AND FUNCTIONS OF ELECTRICAL PARTS | 11-79 |
| B. ADF | 11-30 | A. Sensors and Solenoids | 11-79 |
| C. Electrical | 11-41 | B. Switches | 11-80 |
| III. TROUBLESHOOTING IMAGE FAULTS | 11-48 | C. Lamp, Heater, Motor, Etc. | 11-81 |
| A. Making Initial Checks | 11-48 | D. PCBs | 11-82 |
| B. Sample Image Faults | 11-52 | E. ADF | 11-83 |
| C. Troubleshooting Image Faults | 11-53 | F. Variable Resistors (VR) and Check Pins by PCB | 11-84 |
| IV. TROUBLESHOOTING MALFUNCTIONS | 11-61 | VII. SELF DIAGNOSIS | 11-86 |

APPENDIX

| | | | |
|---|------|---|------|
| A. GENERAL TIMING CHART | A-1 | I. SENSOR CIRCUIT DIAGRAM | A-30 |
| B. SIGNALS AND ABBREVIATIONS | A-3 | J. NOISE FILTER CIRCUIT DIAGRAM | A-31 |
| C. GENERAL CIRCUIT DIAGRAM | A-5 | K. HIGH VOLTAGE CONTACT CIRCUIT DIAGRAM | A-32 |
| D. DC CONTROLLER CIRCUIT DIAGRAM | A-7 | L. BLANK EXPOSURE (front) CIRCUIT DIAGRAM | A-33 |
| E. ADF CONTROLLER CIRCUIT DIAGRAM | A-15 | M. BLANK EXPOSURE (rear) CIRCUIT DIAGRAM | A-34 |
| F. COMPOSITE POWER SUPPLY CIRCUIT DIAGRAM | A-19 | N. SPECIAL TOOLS | A-35 |
| G. CONTROL PANEL CIRCUIT DIAGRAM | A-27 | O. SOLVENTS/OILS | A-36 |
| H. AE SENSOR CIRCUIT DIAGRAM | A-29 | | |

CHAPTER 1

GENERAL DESCRIPTION

This chapter provides specifications of the machine, instructions on how to operate the machine, and an outline of copying process.

| | | | |
|---------------------------|------|-----------------------------|------|
| I. FEATURES | 1-1 | IV. USING THE MACHINE | 1-15 |
| II. SPECIFICATIONS | 1-2 | A. Control Panel..... | 1-15 |
| A. Copier | 1-2 | V. ROUTINE MAINTENANCE | |
| B. ADF | 1-8 | BY THE USER | 1-17 |
| III. NAMES OF PARTS | 1-10 | VI. IMAGE FORMATION | 1-20 |
| A. External View | 1-10 | A. Outline | 1-20 |
| B. Cross Section | 1-13 | | |

I. FEATURES

1. Personal Copier with a Zoom Function and a Fixed Copyboard

- You can choose either a default enlargement/reduction ratio or any ratio between 70% and 141% in 1% increments.

2. Ecology-Conscious

- The use of a roller charging method has resulted in a considerable reduction of ozone: 0.01 ppm or less on the average, 0.02 ppm or less at maximum (1/100 to 1/1000 compared with existing Canon machines).

3. SURF Fixing Assembly

- The wait time is 0 sec (at 20°C room temperature), enabling speedy copying work immediately after power-on.

4. Various Paper Sizes

- The paper may be between A4 (LGL) and A5 (STMT) (*Using the universal cassette).
- In manual feed mode, paper may be as large as A4 (LGL) or as small as a business card.

5. All-in-One Cartridge for Simple Maintenance

- The photosensitive drum, toner case, charging roller, developing assembly, and cleaning assembly are constructed as a single entity (cartridge).
The user may expect quality copy images at all times as long as he/she performs simple replacement/cleaning work.

6. Large Paper Source

- The source of paper may contain as many as 550 sheets of paper (500-sheet cassette + multifeeder; multifeeder type).

7. Separate top unit

- The machine's top unit may be opened to make jam removal easy.

8. ADF Type

- Continuous copying is possible with the use of the ADF.

II. SPECIFICATIONS

A. Copier

1. Type

| Item | Descriptions |
|-----------------------|---|
| Body | Desk top |
| Copyboard | Fixed |
| Source of light | Halogen lamp (80 V/110 W for 120V-model; 150 V/160 W for 220/240 V-model) |
| Lens | Fixed focal point lens |
| Photosensitive medium | OPC drum (24-mm dia.) |

Table 1-201

2. Mechanisms

| Item | Descriptions |
|-------------------------|--|
| Reproduction | Indirect static reproduction |
| Charging | Roller (direct charging) |
| Exposure | Slit (moving light source) |
| Copy density adjustment | Auto or manual |
| Development | Dry (toner projection) |
| Pickup | Cassette (1 pc.) Single-feeder (single-feeder type) Multifeeder (multifeeder type) |
| Separation | Curvature separation + static eliminator |
| Fixing | Flat heater |
| Cleaning | Blade |
| Original orientation | Center reference (copyboard) |

Table 1-202

3. Performance

| Item | Descriptions |
|-----------------------|--|
| Original type | Sheet, book, 3-D object (2kg max.) |
| Maximum original size | A4 (297 × 210 mm)/LGL (216 × 356 mm) |
| Reproduction ratio | Inch/AB-configuration: 2R2E Inch-configuration: 3R1E |
| Zoom | 70% to 141% (in 1% increments*1) |
| Wait time | 0 sec (at 20°C room temperature) |
| First copy time | 10 sec or less (at 20°C room temperature; Direct, non-AE, from the cassette) |
| Continuous copying | 100 (max.) |
| Copy size | A4/LGL (297 × 210 mm/216 × 356 mm max.) Business card (90 × 55 mm, min.) |
| Copy paper type | Cassette: Plain paper (64 to 80 g/m ²), tracing paper (SM-1, A4R/B5R), colored paper, recycled paper (64 to 80 g/m ² ; A4R/B5R), eco paper (80 g/m ² ; A4R) Manual Feeder: Plain paper (52 to 128 g/m ²), tracing paper (SM-1, GNT-80*2; A4R/B5R), transparency*2,*4 (A4R/LTRR*3), colored paper, business card (200 g/m ² or less), label sheet*2 (A4R/LTRR), recycled paper (64 to 80 g/m ² ; A4R/B5R), eco paper (80 g/m ² ; A4R), postcard*3 Double-Sided/Overlay Copying*5: Plain paper (64 to 128 g/m ²), colored paper, business card (200 g/m ² or less), recycled paper (64 to 80 g/m ² ; A4R/B5R), eco paper (80 g/m ² ; A4R), postcard*3 |
| Cassette | With claws Universal cassette (250 sheets of 80 g/m ² paper; A4/LGL to A5/STMT) 250-sheet cassette (250 sheets of 80 g/m ²) 500-sheet cassette (500 sheets of 80 g/m ²) |
| Multifeeder tray | 5 mm deep (approx.; 50 sheets of 80 g/m ²) |
| Copy tray | 100 sheets (A4; 80 g/m ²) |
| Non-image width | Leading edge: 2.0 ±1.5 mm (Direct; 4.0 mm or less otherwise) Left/right: 0.0 +2.0, -0.0 mm (0 +4.0, -0.0 mm for LTR) |
| Auto power-off | Provided (5 min, approx.; fixed)*6 |

Table 1-203

- *1. Applies only to models with a zoom function.
- *2. Applies only to single pickup if the multifeeder is used.
- *3. Applies only to vertical feeding.
- *4. Upon delivery, be sure to remove each from the copy tray.
- *5. Be sure to remove any curling before feeding for a second time.
- *6. If stopped because paper ran out during copying operation, 1 hr.

4. Others

| Item | Descriptions |
|---------------------------------|--|
| Operating condition | |
| Temperature | 7.5°C to 32.5°C/44.5°F to 90.5°F |
| Humidity | 5% to 85% RH |
| Atmospheric pressure | 607.95 to 1013.25 hPa (0.6 to 1 atm) |
| Power source | 120 V 60 Hz 220/240 V 50 Hz, 60 Hz |
| Serial number | TVBxxxxx PUDxxxxx PUHxxxxx TVCxxxxx PUExxxxx TVDxxxxx PUFxxxxx TVExxxxx PUGxxxxx TVFxxxxx TYAxxxxx TVGxxxxx TZAxxxxx TVHxxxxx UAAxxxxx TVJxxxxx |
| Maximum power consumption | 0.9 kW or less Standby: 1.2W (approx.; about 5min; reference only) Copying: 0.4kWh (approx.; reference only) |
| Noise | Standby: -(sound power level by ISO) Copying: (sound power level by ISO) • Single-feeder type: 68 dB or less • Multifeder type: 66 dB or less |
| Ozone | 0.01 ppm or less (average; 0.02 ppm or less, max.) |
| Dimensions (WxDxH) | Copyboard Type 484.9 × 448.2 × 297.5 mm ^{*1} / 329.0 mm ^{*2} 19.1 in. × 17.6 in × 11.7 in ^{*1} / 13.0 in ^{*2} ADF Type 484.9 × 448.2 × 358.3 mm ^{*1} / 389.8 mm ^{*2} 19.1 in × 17.6 in × 14.1 in ^{*1} / 15.3 in ^{*2} |
| Weight (including the cassette) | Copyboard Type Single-feeder type: 19.3 kg ^{*1} / 42.5 lb ^{*1} , 20.9 kg ^{*2} / 46.0 lb ^{*2} Multifeeder type: 19.5 kg ^{*1} / 42.9 lb ^{*1} , 21.1 kg ^{*2} / 46.4 lb ^{*2} ADF Type Single-feeder type: 23.8 kg ^{*1} / 52.4 lb ^{*1} , 25.2 kg ^{*2} / 55.4 lb ^{*2} Multifeeder type: 24.0 kg ^{*1} / 52.8 lb ^{*1} , 25.4 kg ^{*2} / 55.9 lb ^{*2} |
| Consumables | Copy paper: Keep wrapped, and protect against humidity. Toner: Avoid direct sunlight, and store at 40°C/104°F, 85% or less. |

Table 1-204

- *1. 250-sheet cassette type
- *2. 500-sheet cassette type

5. Default Ratios

| Item | 2R2E (Inch/AB-configuration) | 3R1E (Inch-configuration) |
|------------|------------------------------|---------------------------|
| Direct | 1:1.000 | 1:1.000 |
| Reduce I | 1:0.707 | 1:0.707 |
| Reduce II | | 1:0.786 |
| Reduce III | 1:0.816 | |
| Reduce IV | | 1:0.860 |
| Enlarge I | 1:1.154 | |
| Enlarge II | 1:1.414 | 1:1.414 |

Table 1-205

6. Copying Speed

| Copying speed at Direct | Reproduction ratio | Copy size | Number of copies (Multifeeder ^{*1}) (Copies / min) |
|-------------------------|---------------------|------------|--|
| 13 | Direct | LTRR | 13 (9) |
| | | LGL | 11 (8) |
| | | STMTR | 13 (9) |
| | Reduce I (70.7%) | MIN | 13 (9) |
| | Reduce II (78.6%) | LGL → LTRR | 13 (9) |
| | Reduce IV (86.0%) | MARJIN | 13 (9) |
| | Enlarge II (141.4%) | MAX | 10 (9) |
| 12 | Direct | A4R | 12 (9) |
| | | B5R | 12 (9) |
| | | A5R | 12 (9) |
| | Reduce I (70.7%) | A4R → A5R | 12 (9) |
| | Reduce III (81.6%) | B5R → A5R | 12 (9) |
| | Enlarge I (115.4%) | B5R → A4R | 12 (9) |
| | Enlarge II (141.4%) | A5R → A4R | 10 (9) |
| 10 | Direct | A4R | 10 (9) |
| | | B5R | 10 (9) |
| | | A5R | 10 (9) |
| | Reduce I (70.7%) | A4R → A5R | 10 (9) |
| | Reduce III (81.6%) | B5R → A5R | 10 (9) |
| | Enlarge I (115.4%) | B5R → A4R | 10 (9) |
| | Enlarge II (141.4%) | A5R → A4R | 10 m(9) |
| 10 | Direct | LTRR | 10 (9) |
| | | LGL | 9 |
| | | STMTR | 10 (9) |
| | Reduce I (70.7%) | MIN | 10 (9) |
| | Reduce II (78.6%) | LGL → LTRR | 10 (9) |
| | Reduce III (86.0%) | MARJIN | 10 (9) |
| | Enlarge II (141.4%) | MAX | 9 |

Table 1-206

*1. The number of copies starting with the pickup operation that follows the delivery of the 19th copy in a continuous copying job. (See p.5-8)

The specifications are subject to change for product improvement.

B. ADF

| Item | Descriptions |
|---------------------------|---|
| Original pickup | Auto pickup/delivery |
| Original orientation | Face-down |
| Original position | Center reference |
| Original separation | Top separation |
| Original type | Single-sided (50 to 128 g/m ²) |
| | A5 (STMT) to A4R (LTRR), LGL |
| | Length: 139.7 to 355.6 mm (feeding direction) |
| | Width: 139.7 to 215.9 mm |
| Stack | 30 sheets (80 g/m ² or less; about 3 mm in height) |
| Original processing mode | Single-sided original to single-sided copy |
| Original size detection | Yes (in feeding direction) |
| Mixed original sizes | No |
| Original detection | Yes |
| Original feeding speed | 446 mm/sec |
| Communication with host | IPC |
| Dimensions | Width: 474 mm/ 18.7 in. |
| | (659 mm/ 25.9 in. with the tray open) |
| | Depth: 394 mm/ 15.5 in. |
| | Height: 74 mm/ 2.9 in. (216 mm/ 8.5 in. with the tray open) |
| Weight | 5 kg/ 11 lb (approx.) |
| Power source | 24 VDC and 5 VDC (from the host) |
| Maximum power consumption | 40 W or less |
| Operating environment | Temperature: same as the host |
| | Humidity: same as the host |

Table 1-207

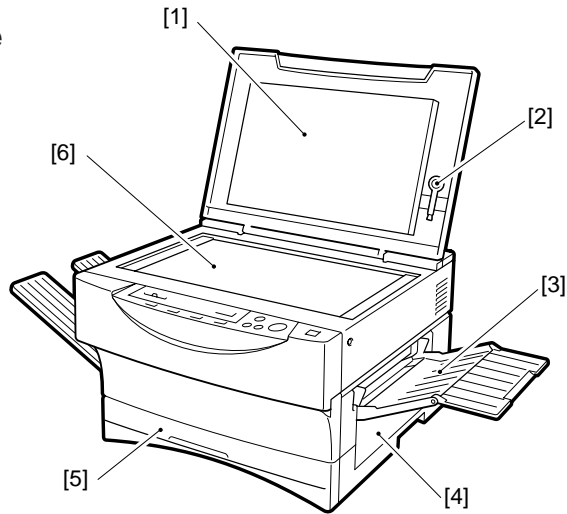
- *1. The following may not be used as an original:
- Sheet with a staple, clip, or glue.
 - Sheet with a cut, hole, or tear.
 - Sheet with holes for binding.
 - Sheet with a carbon back.
 - Sheet with a cut-and-paste piece.
 - Sheet with curling, bending, or wrinkling.

The specifications are subject to change for product improvement.

III. NAMES OF PARTS

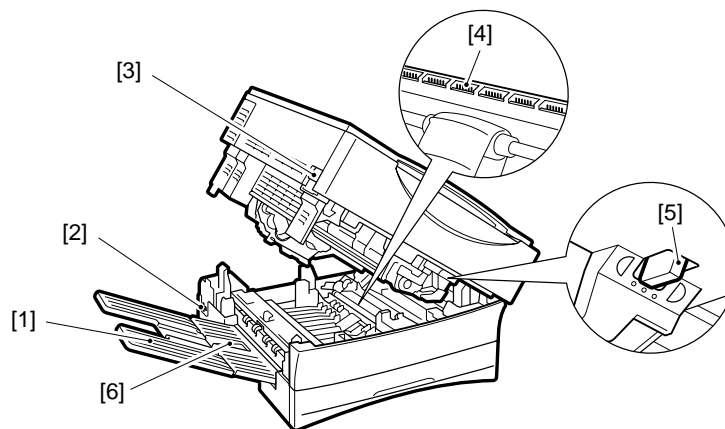
A. External View

1. Copyboard Type



- | | |
|-------------------------------|---------------------|
| [1] Copyboard cover | [4] Right door |
| [2] Static eliminator cleaner | [5] Cassette |
| [3] Manual feed tray | [6] Copyboard glass |

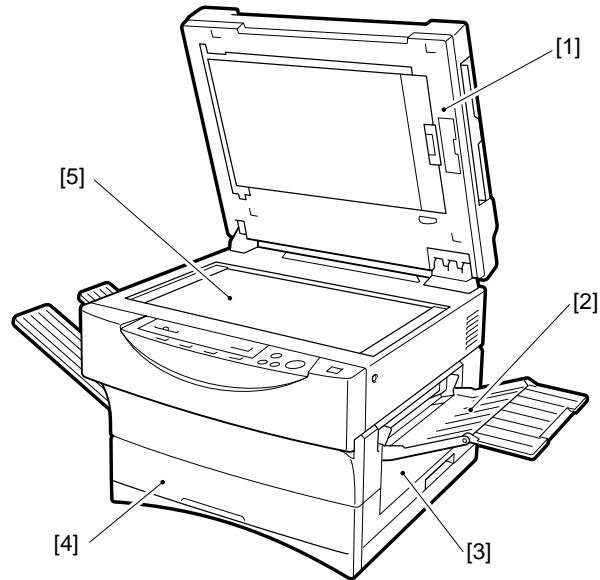
Figure 1-301



- | | |
|--------------------------|------------------------------------|
| [1] Copy tray | [4] Static eliminator |
| [2] Power cord connector | [5] Copy density correction switch |
| [3] Open/close lever | [6] Delivery guide plate |

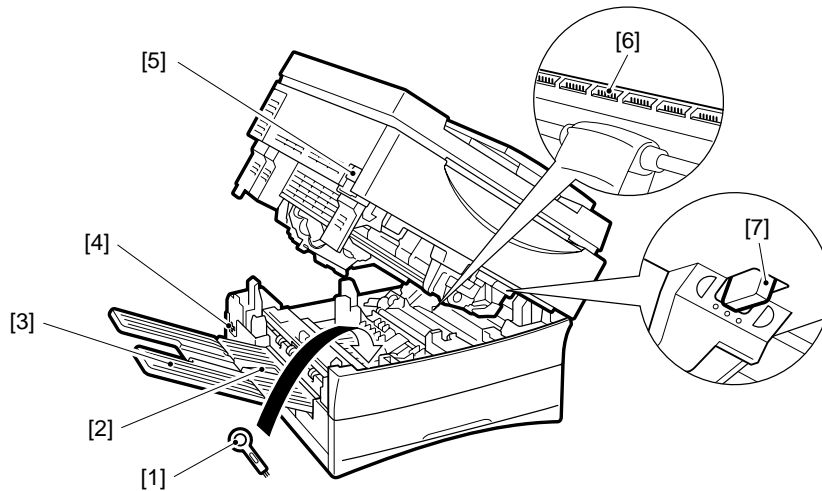
Figure 1-302

2. ADF Type



- | | |
|----------------------|---------------------|
| [1] ADF | [4] Cassette |
| [2] Manual feed tray | [5] Copyboard glass |
| [3] Right door | |

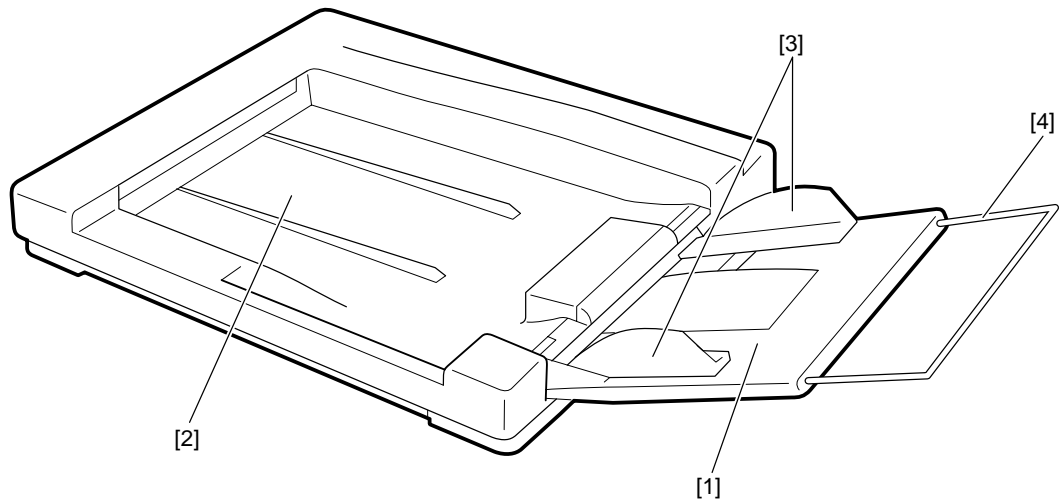
Figure 1-303



- | | |
|-------------------------------|------------------------------------|
| [1] Static eliminator cleaner | [5] Open/close lever |
| [2] Delivery guide plate | [6] Static eliminator |
| [3] Copy tray | [7] Copy density correction switch |
| [4] Power cord connector | |

Figure 1-304

3. ADF



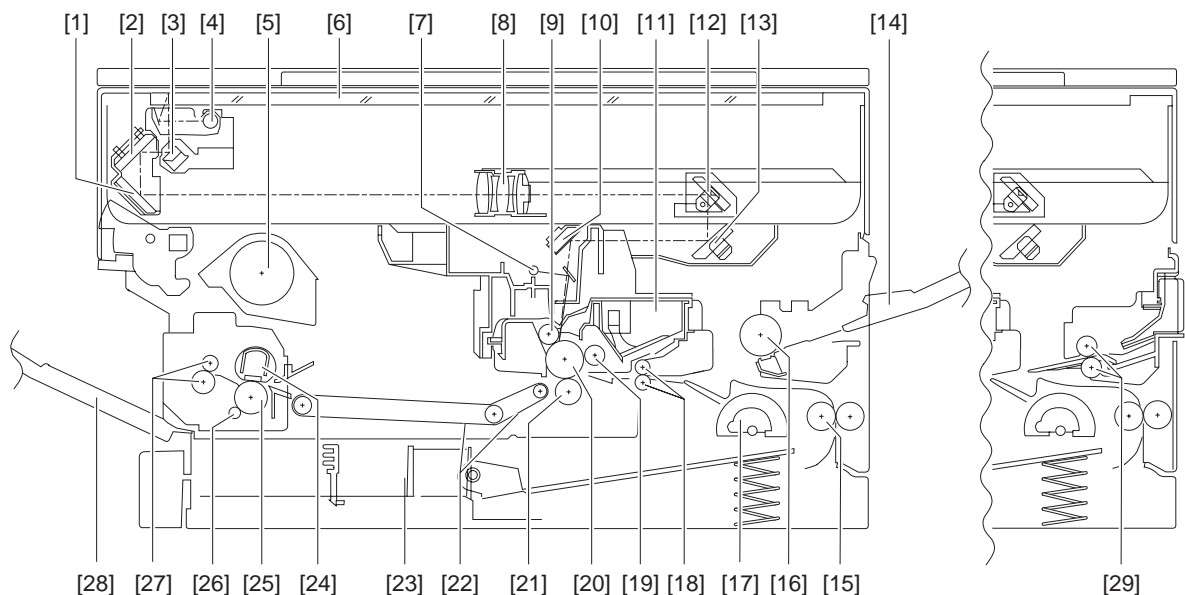
- [1] Original tray
- [2] Original delivery tray

- [3] Slide guide
- [4] Auxiliary tray

Figure 1-305

B. Cross Section

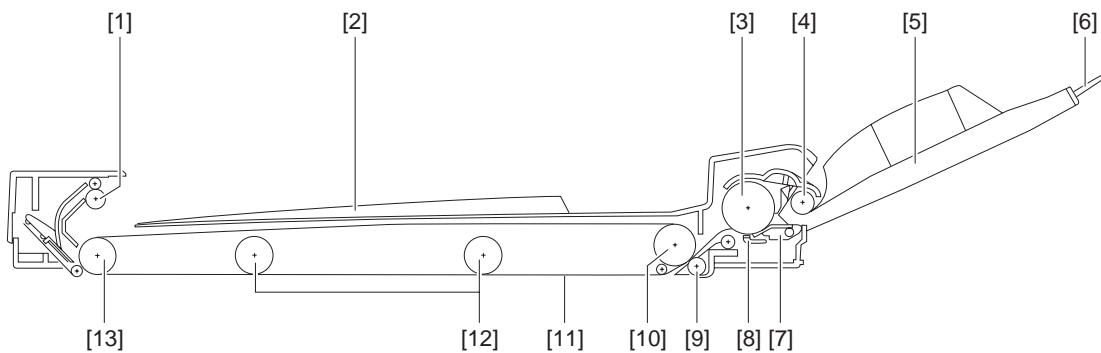
1. Body



- | | | |
|-----------------------------|-------------------------------|----------------------------------|
| [1] No. 3 mirror | [11] Cartridge | [21] Transfer roller |
| [2] No. 2 mirror | [12] No. 4 mirror | [22] Feed belt |
| [3] No. 1 mirror | [13] No. 5 mirror | [23] Cassette |
| [4] Scanning lamp | [14] Multifeder tray | [24] Fixing upper unit |
| [5] Heat exhaust fan | [15] Vertical path roller | [25] Fixing lower roller |
| [6] Copyboard glass | [16] Multifeder pickup roller | [26] Cleaning roller |
| [7] Side blanking lamp | [17] Cassette pickup roller | [27] Delivery roller |
| [8] Lens | [18] Registration roller | [28] Copy tray |
| [9] Primary charging roller | [19] Developing cylinder | [29] Single-feeder pickup roller |
| [10] No. 6 mirror | [20] Photosensitive drum | |

Figure 1-306

2. ADF



- | | |
|---------------------|----------------------------------|
| [1] Delivery roller | [8] Separation pad |
| [2] Copy tray | [9] Registration roller |
| [3] Pickup roller 2 | [10] Feed belt drive roller |
| [4] Pickup roller 1 | [11] Feed belt |
| [5] Copyboard tray | [12] Feed belt roller |
| [6] Auxiliary tray | [13] Feed belt link slave roller |
| [7] Guide plate | |

Figure 1-307

IV. USING THE MACHINE

A. Control Panel

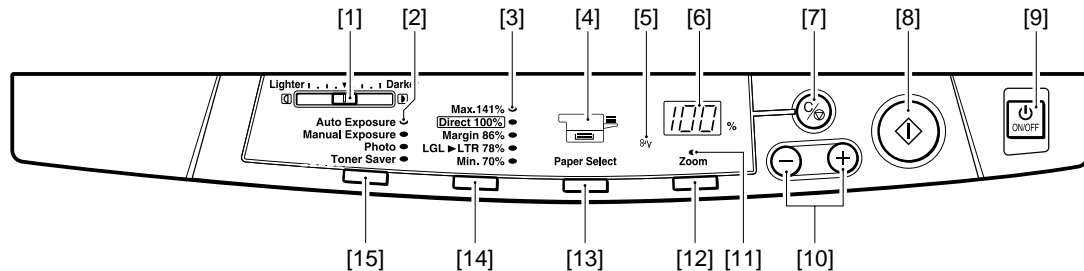


Figure 1-401

| No. | Name | Description | Remarks |
|-----|---|---|---|
| 1 | Copy density adjusting lever | Adjusts the density of copies manually. | |
| 2 | Copy density mode indicator | Indicates the selected copy density mode. | |
| 3 | Default ratio indicator | Indicates the selected default ratio. | |
| 4 | Paper selection indicator ^{*1} | Indicates the selected cassette/manual feed tray. If there is no paper loaded, it flashes. | |
| 5 | Jam indicator | Flashes in response to a jam. | |
| 6 | Count/ratio indicator | <ul style="list-style-type: none"> Indicates the number of copies or reproduction ratio. The symbol “%” turns on when indicating a ratio. | 100 (max.; continuous copying) |
| 7 | Clear/stop key | Stops copying or returns copying mode to standard mode. | Standard Mode Ratio: 100% Count: 1 Paper source: cassette Copy density: auto mode |
| 8 | Copy start key | Starts copying. | |
| 9 | Power switch | Turns on and off the power. | |

| No. | Name | Description | Remarks |
|-----|---------------------------------|--|---|
| 10 | Count/zoom set key | Sets the number of copies or a zoom ratio. | |
| 11 | Zoom indicator*2 | Turns on when zoom mode is selected. | |
| 12 | Zoom key*2 | Selects/deselects zoom mode. | May be between 70% and 141% in 1% increments. |
| 13 | Paper selection key*1 | Selects the cassette/ manual feed tray. | |
| 14 | Default ratio key | Selects a default reproduction ratio. | |
| 15 | Copy density mode selection key | Selects copying density mode. | |

Table 1-401

*1. Applies only to a multifeeder model.

*2. Applies only to a model equipped with a zoom function.

V. ROUTINE MAINTENANCE BY THE USER

Instruct the user to clean the following if images tend to be soiled or copy paper tends to jam often.

1. Soiled Images

a. Copyboard Glass/Copyboard Cover

Clean the cover with a moist cloth (with water or mild detergent solution); then, dry wipe it.

b. Feeding Belt (ADF type)

b.1 Cleaning in Feeder Cleaning Mode

1) Turn on the machine, and hold down the Copy Density Mode Selection key for 4 sec or more.

- The count/ratio indicator will indicate 'U6'.

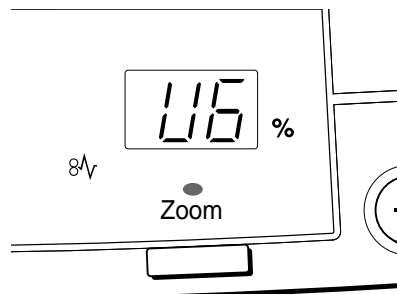


Figure 1-501

2) Place about 10 sheets of blank copy paper (A4/LTR) on the original tray of the ADF.

3) Press the Copy Start key.

- Copy paper will be fed from the original tray.
- The indicator flashes 'U6' while the feeder is being cleaned.

4) Press the Copy Density Mode Selection key to end the mode.

Caution:

- You cannot start feeder cleaning mode while the machine is making copies or if an error exists.
- The auto power-off mechanism does not operate while feeder cleaning mode is being executed.

b.2 Cleaning by Hand

- 1) Wipe the feed belt with a moist cloth (water or mild detergent solution) in the direction of the arrow in the figure; then, dry wipe it.

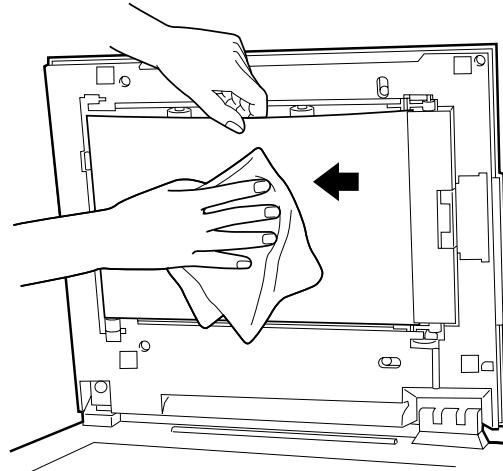


Figure 1-502

2. If Jams Occur Frequently

a. Static Eliminator

- 1) Remove the static eliminator cleaner from the machine.

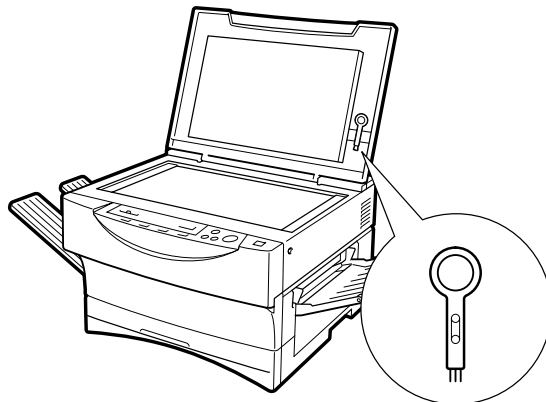


Figure 1-503 (Copyboard type)

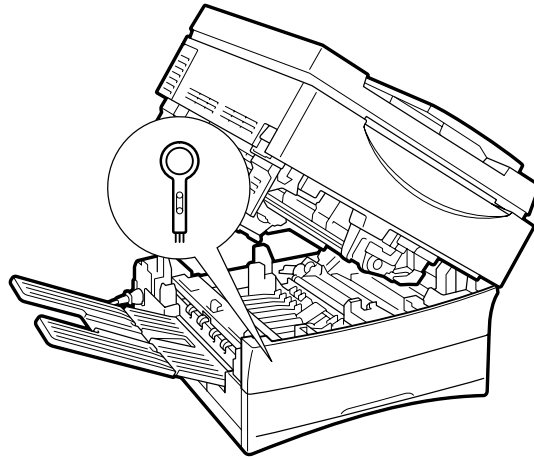


Figure 1-504 (ADF type)

- 2) Pull the open/close lever to open the machine.
- 3) Using the static eliminator cleaner, clean the static eliminator.
 - Brush out the paper lint or the like from the groove of the static eliminator.

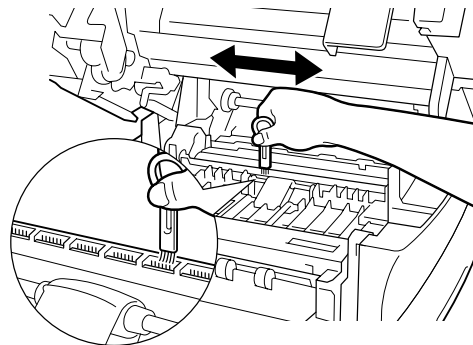


Figure 1-505

- 4) Close the machine as soon as you have finished cleaning. (Work briskly.)

VI. IMAGE FORMATION

A. Outline

The construction of the machine is as follows:

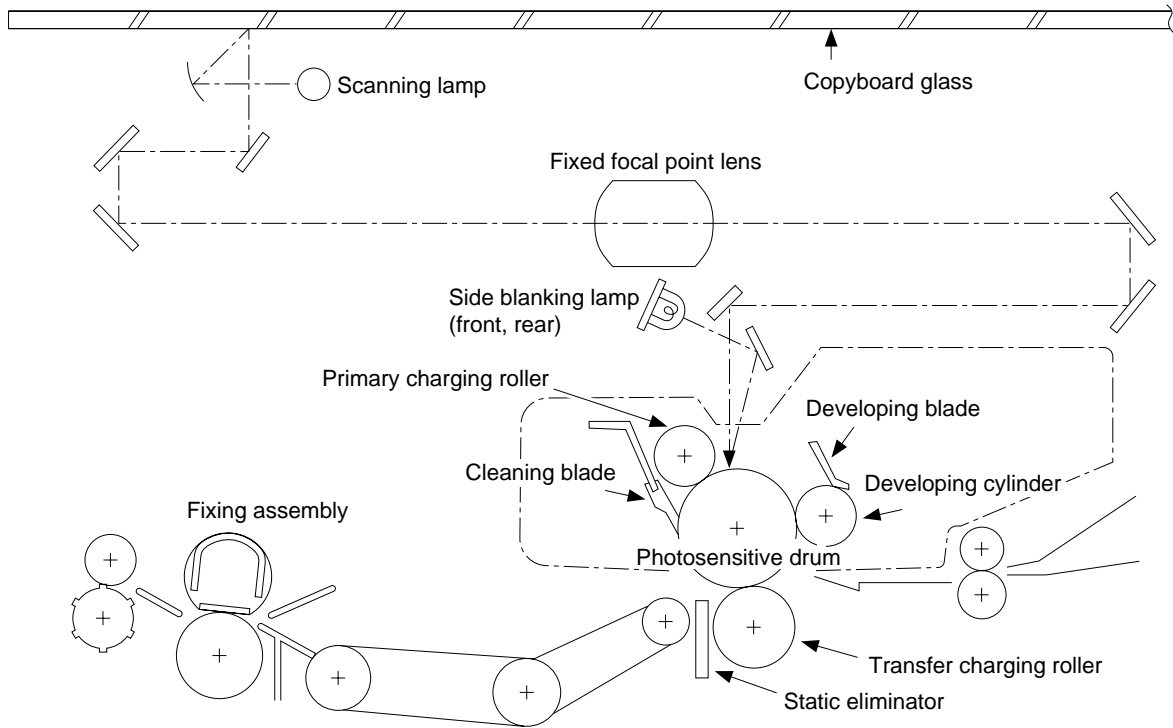


Figure 1-601

The machine's image formation process consists of the following seven steps:

- Step 1 Primary charging (AC + negative DC)
- Step 2 Image exposure
- Step 3 Development (AC + negative DC)
- Step 4 Transfer (negative DC)
- Step 5 Separation (curvature separation + static eliminator; positive DC)
- Step 6 Fixing
- Step 7 Drum cleaning

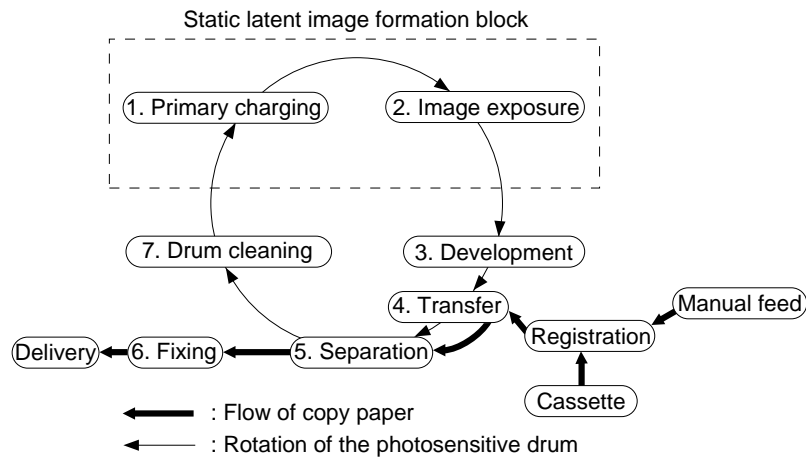


Figure 1-602

CHAPTER 2

BASIC OPERATION

This chapter provides descriptions on basic operations, functions of each operation, relationships between electrical and mechanical systems, and timing at which each associated part is turned on.

| | |
|---------------|-----------|
| Process speed | 96 mm/sec |
|---------------|-----------|

| | | | |
|--|-----|---|-----|
| I. BASIC OPERATIONS | 2-1 | D. Controlling the Main Motor (M1) | 2-5 |
| A. Functional Construction | 2-1 | E. Inputs to and Outputs from the DC Controller | 2-7 |
| B. Outline of Electrical Circuitry | 2-2 | | |
| C. Basic Sequence of Operations | 2-3 | | |

I. BASIC OPERATIONS

A. Functional Construction

The machine consists of four functional blocks: pickup/feeding system, exposure system, image formation system, and control system.

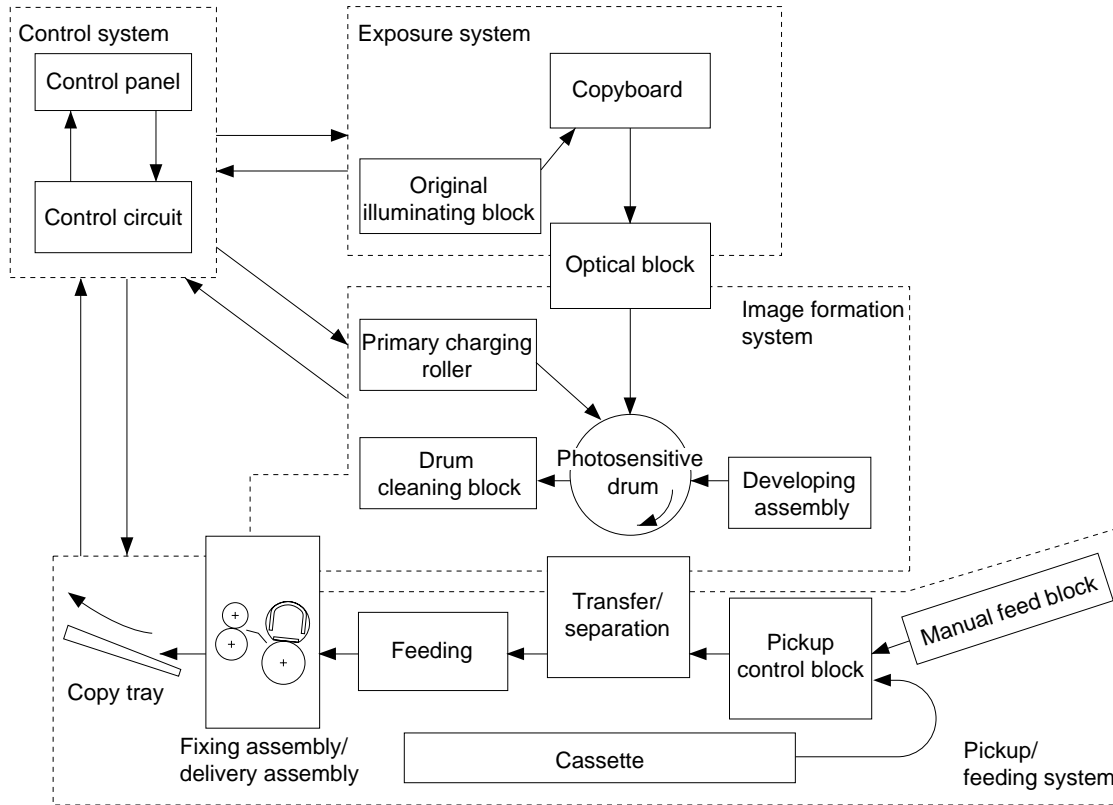


Figure 2-101

B. Outline of Electrical Circuitry

The machine's major electric mechanisms are controlled by the microprocessor mounted on the DC controller PCB, which reads input signals from sensors and operating keys according to the instructions of the program stored in advance and sends signals used to drive motors, solenoids, lamps, and other loads as needed.

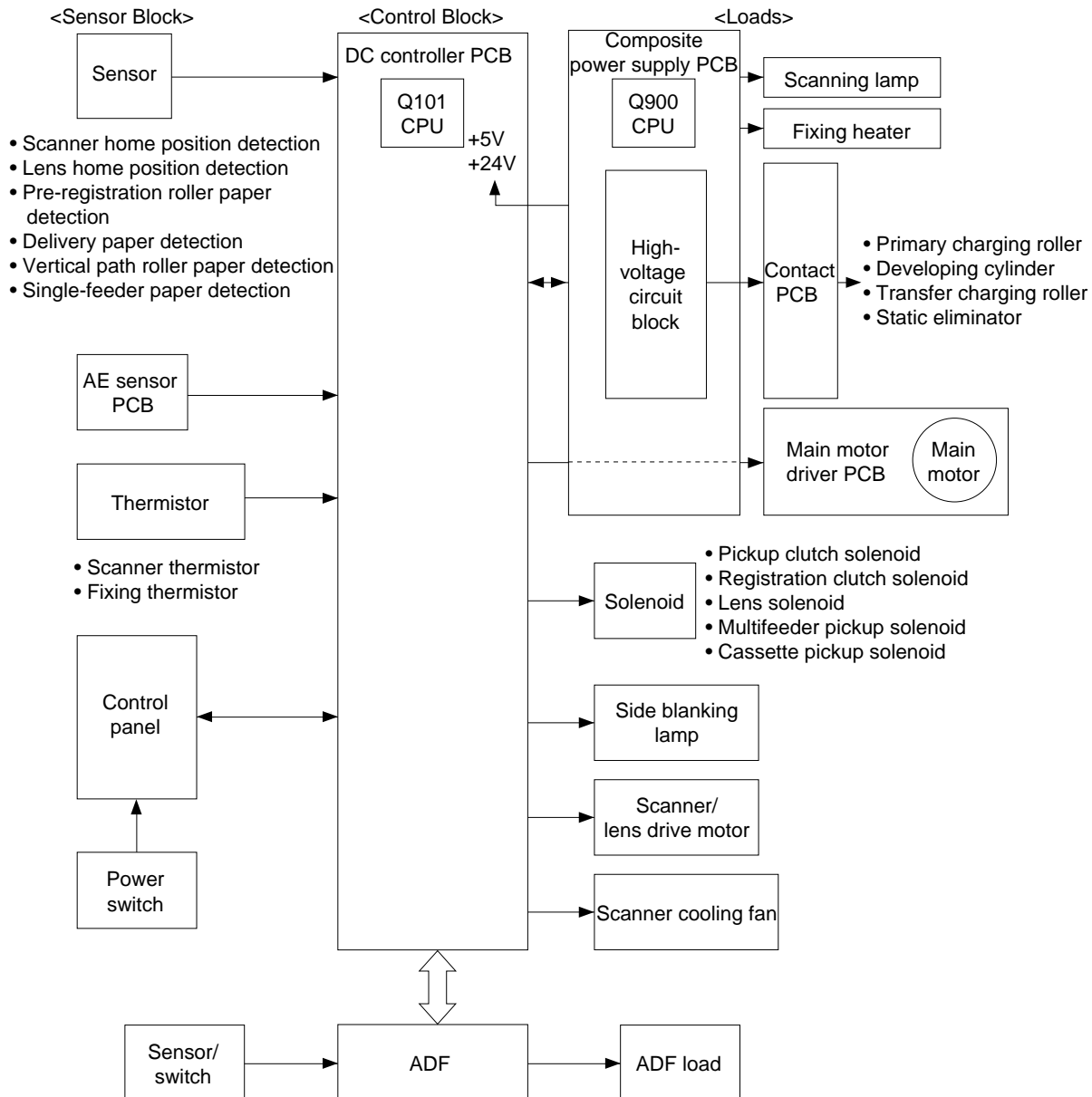
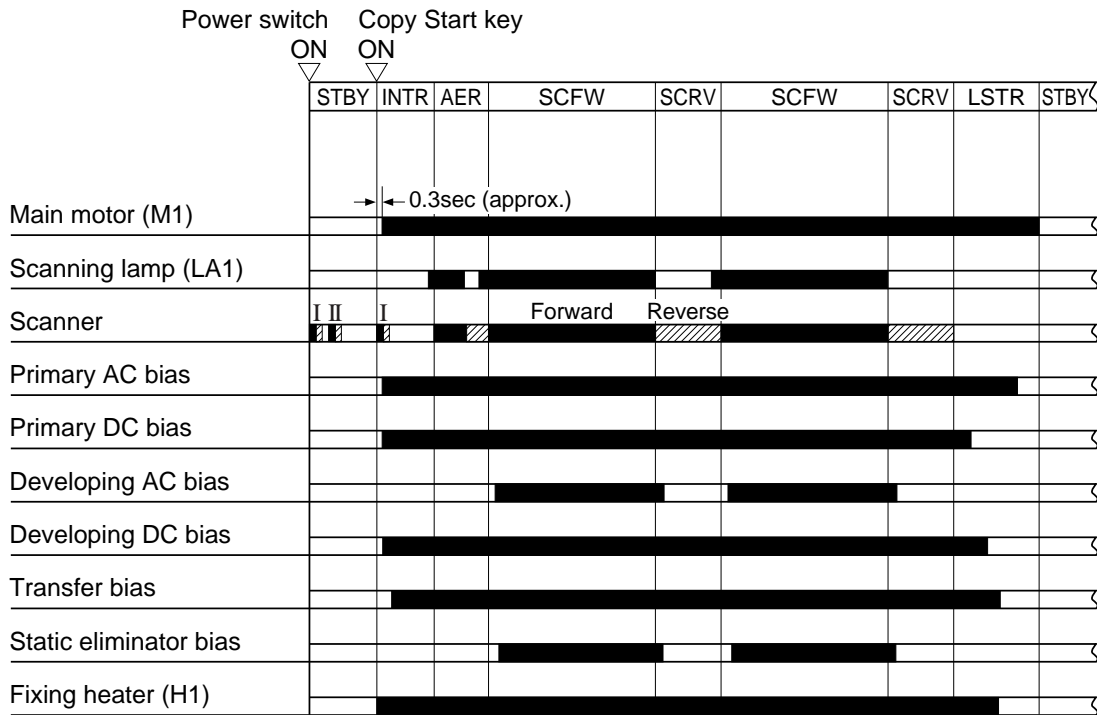


Figure 2-102

C. Basic Sequence of Operations

- A4R, Direct, 2 Copies, Continuous, Cassette



- I: Scanner home position detection
- II: Lens home position detection

Figure 2-103

| Period | Description |
|------------------------------------|---|
| <p>STBY (standby)</p> | <ul style="list-style-type: none"> • From when the power switch is turned on to when the Copy Start key is pressed. • From when LSTR ends to when the Copy Start key is pressed. |
| <p>INTR (initial rotation)</p> | <p>From when the Copy Start key is pressed to when the scanner moves forward.</p> |
| <p>AER (AE rotation)</p> | <p>While the scanner moves forward about 10 cm and then moves it in reverse.</p> |
| <p>SCFW (scanner forward)</p> | <p>While the scanner is moving forward.</p> <ul style="list-style-type: none"> • The distance varies according to the selected copy size and reproduction ratio. • The forward speed varies according to the selected reproduction ratio. |
| <p>SCRV (scanner reverse)</p> | <p>While the scanner is moving in reverse.</p> <ul style="list-style-type: none"> • The reverse speed is about 3.3 as fast as the forward speed used in Direct. |
| <p>LSTR (last rotation)</p> | <p>From when SCRV ends to when the main motor stops.</p> |

Table 2-101

D. Controlling the Main Motor (M1)

1. Outline

Table 2-102 shows the functions of the main motor control circuit, and Figure 2-104 is a block diagram of the circuit.

| Item | Description |
|--------------------|--|
| Power supply | 24 VDC from the composite power supply. |
| Drive signal | Signal (MMD) from the DC controller PCB. |
| Moving/drive parts | Photosensitive drum, primary charging roller, developing assembly, transfer charging roller, pickup roller, vertical roller, registration roller, feeding assembly, fixing assembly, delivery roller, heat exhaust fan |
| Control | Executes on/off control. Executes constant speed rotation control. |
| Error detection | Issues 'E010'. |

Table 2-102

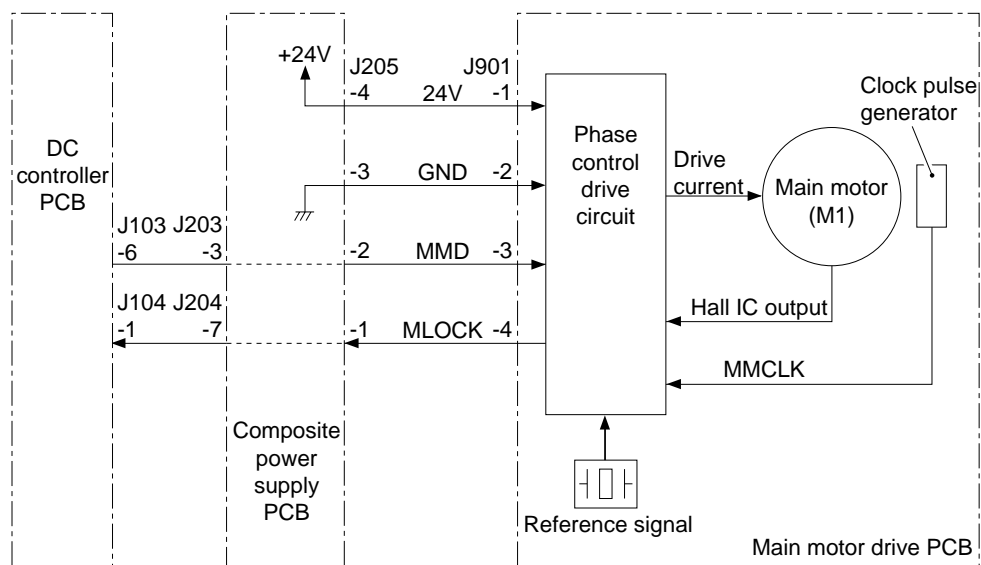


Figure 2-104

2. Operations

The main motor (M1) is a DC motor with a built-in clock pulse generator, which generates clock pulses (MMCLK) in relation to the rotation of the motor while the motor is rotating.

The speed control circuit controls the main motor (M1) so that it rotates at a specific speed by matching the frequency of these clock pulses and that of the reference signals.

When the main motor drive signal (MMD) from the DC controller circuit goes '1', the motor driver drive circuit turns on, causing the main motor (M1) to rotate at a specific speed.

While the main motor is rotating at a specific speed, the main motor driver PCB keeps sending the constant speed state signal (MLOCK=0) to the DC controller PCB. If the rotation of the motor starts to have fluctuations, the MLOCK signal goes '1'.

Related Error Code

E010

While the main motor drive signal is generated, the rotation of the main motor deviates from a specific number for 1 sec or more.

a. Turning On/Off the Main Motor

When the main motor drive signal (MMD) from the DC controller circuit goes '1', the main motor driver turns on to rotate the main motor (M1).

b. Rotating the Main Motor at a Constant Speed

The drive circuit on the motor driver PCB controls the main motor so that the phase of the frequency of the clock pulse signals (MMCLK) occurring when the motor rotates and that of the frequency of the reference signals match. The main motor driver PCB sends the constant speed state signal (MLOCK=0) to the DC controller circuit.

c. Detecting an Error (E010)

If the rotation of the main motor starts to have fluctuations for some reason, the MLOCK signal goes '1'. If the signal remains '1' for about 1 sec, the DC controller will find the condition to be a fault in the main motor, and will stop the main motor and, at the same time, indicate 'E010' in the display.

E. Inputs to and Outputs from the DC Controller

1. Inputs to the DC Control (1/2)

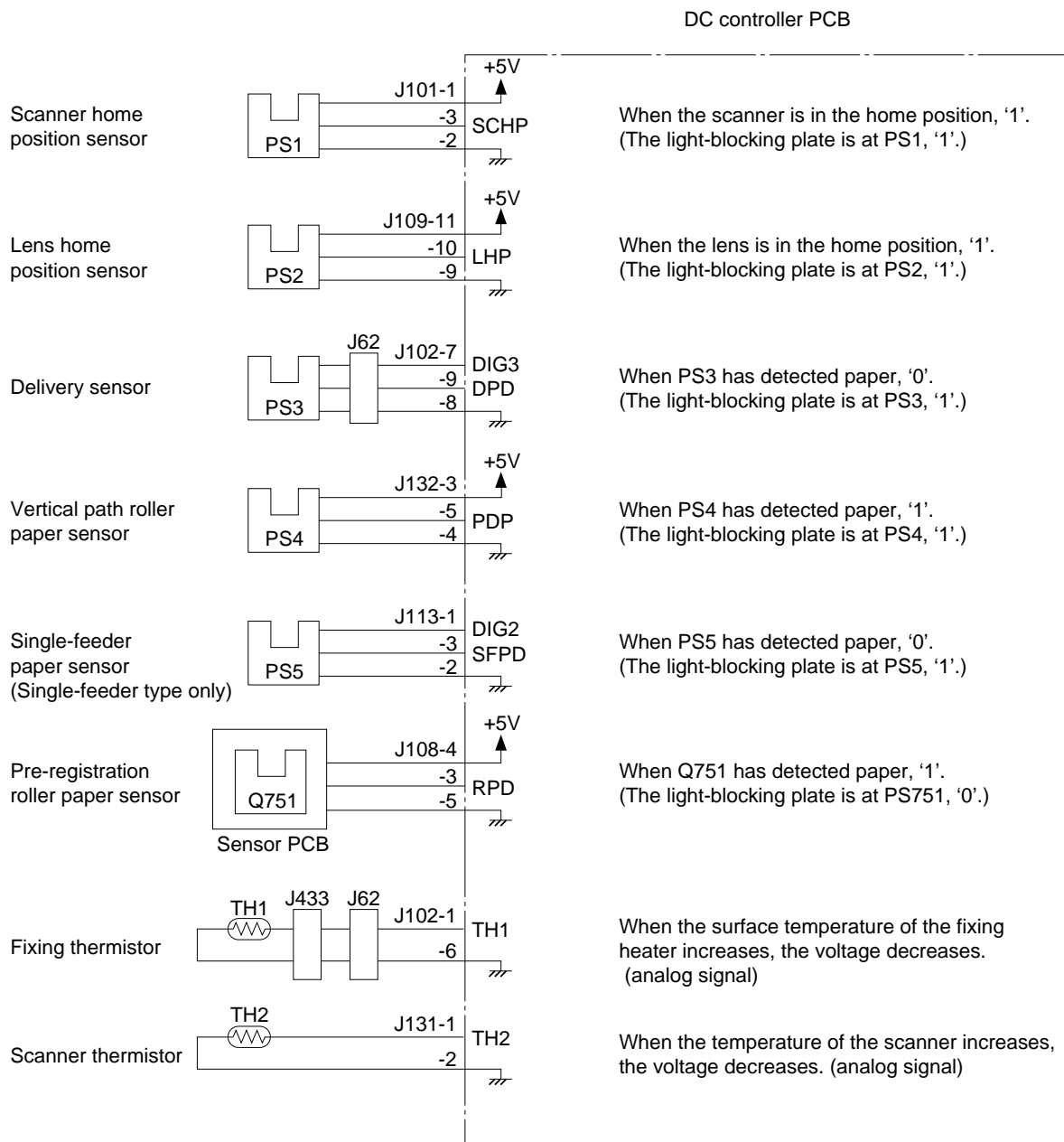


Figure 2-105

2. Inputs to the DC Controller (2/2)

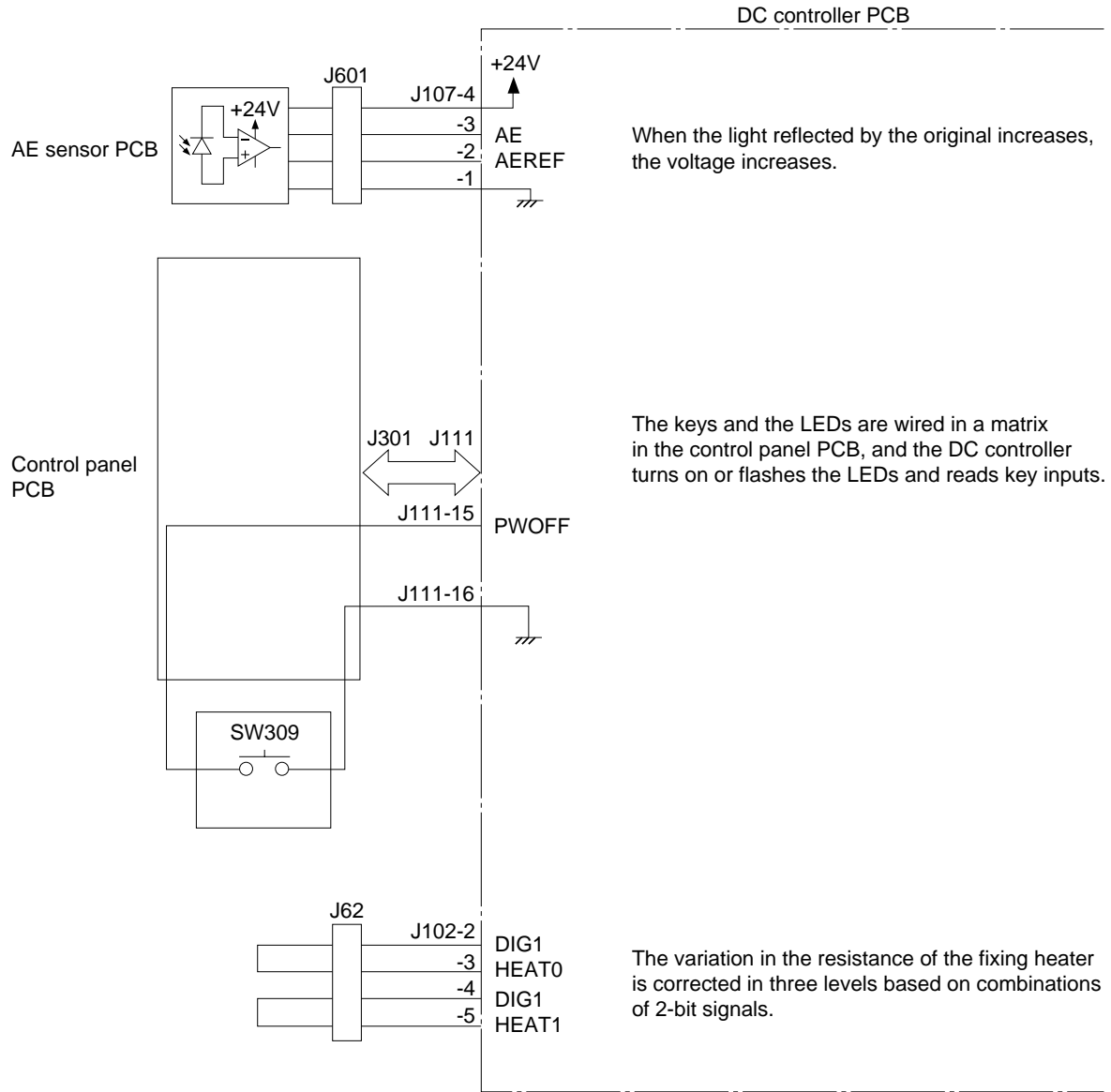


Figure 2-106

3. Outputs from the DC Controller (1/2)

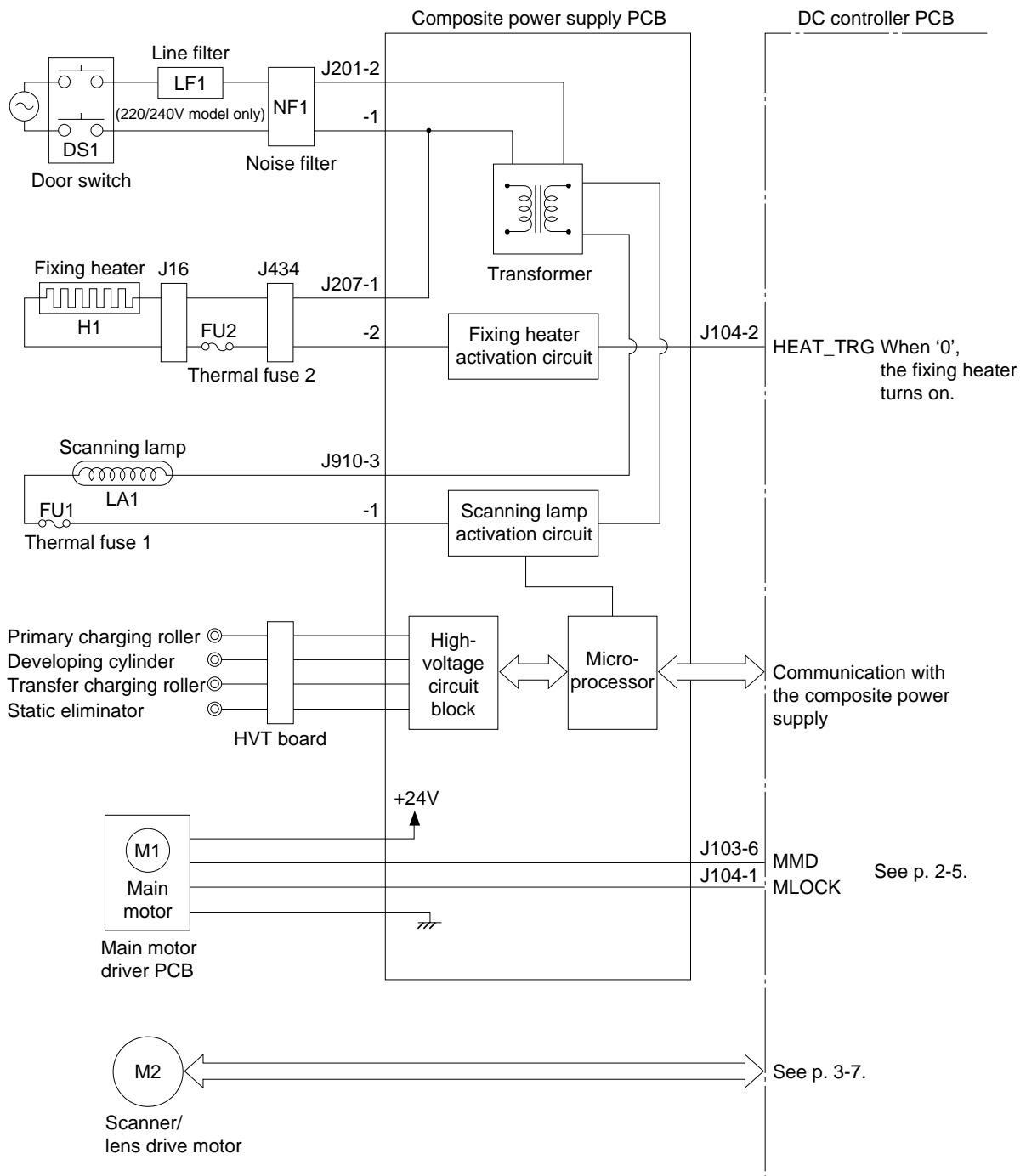


Figure 2-107

4. Outputs from the DC Control PCB (2/2)

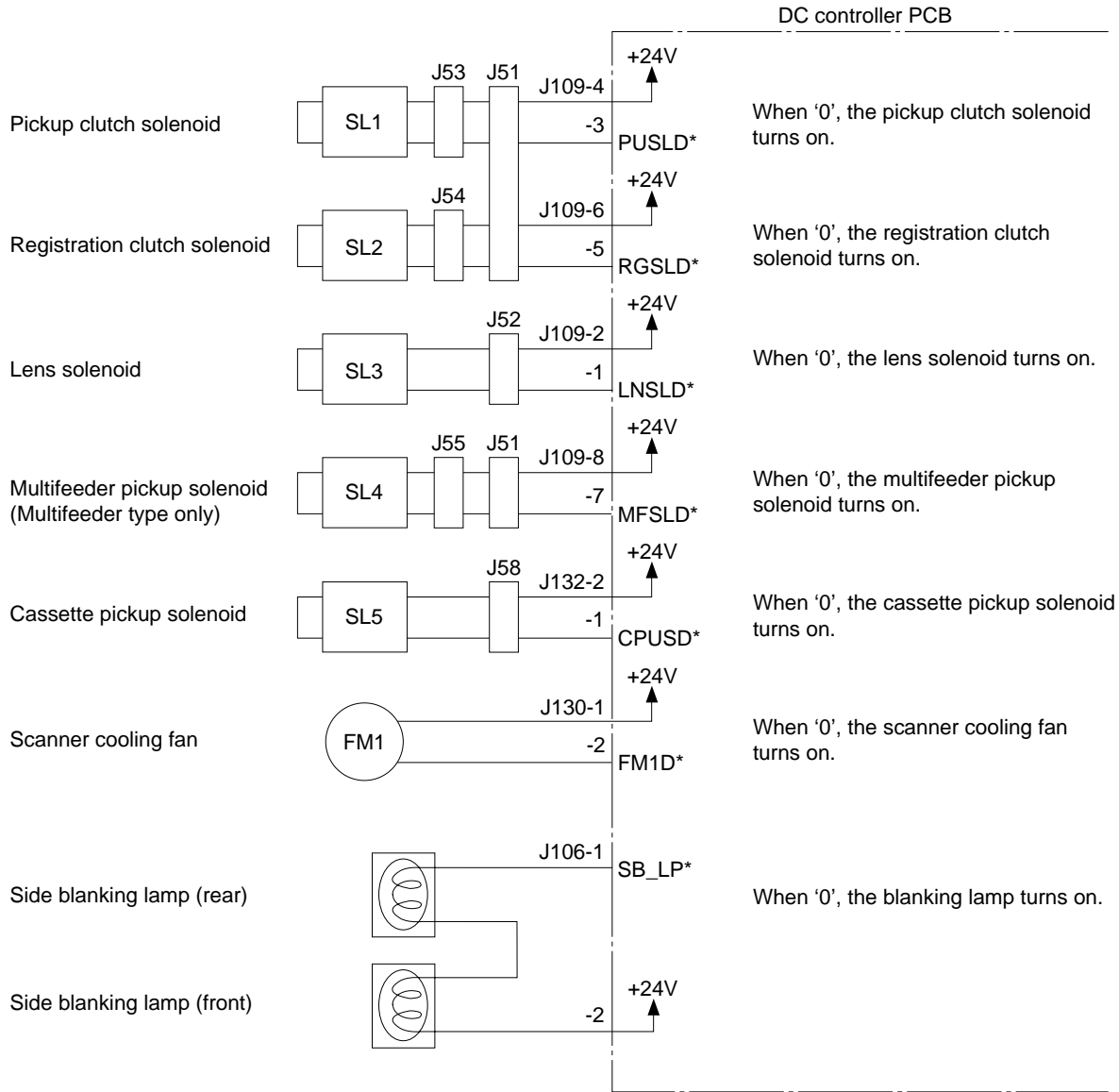


Figure 2-108

5. Inputs to and Outputs from the ADF

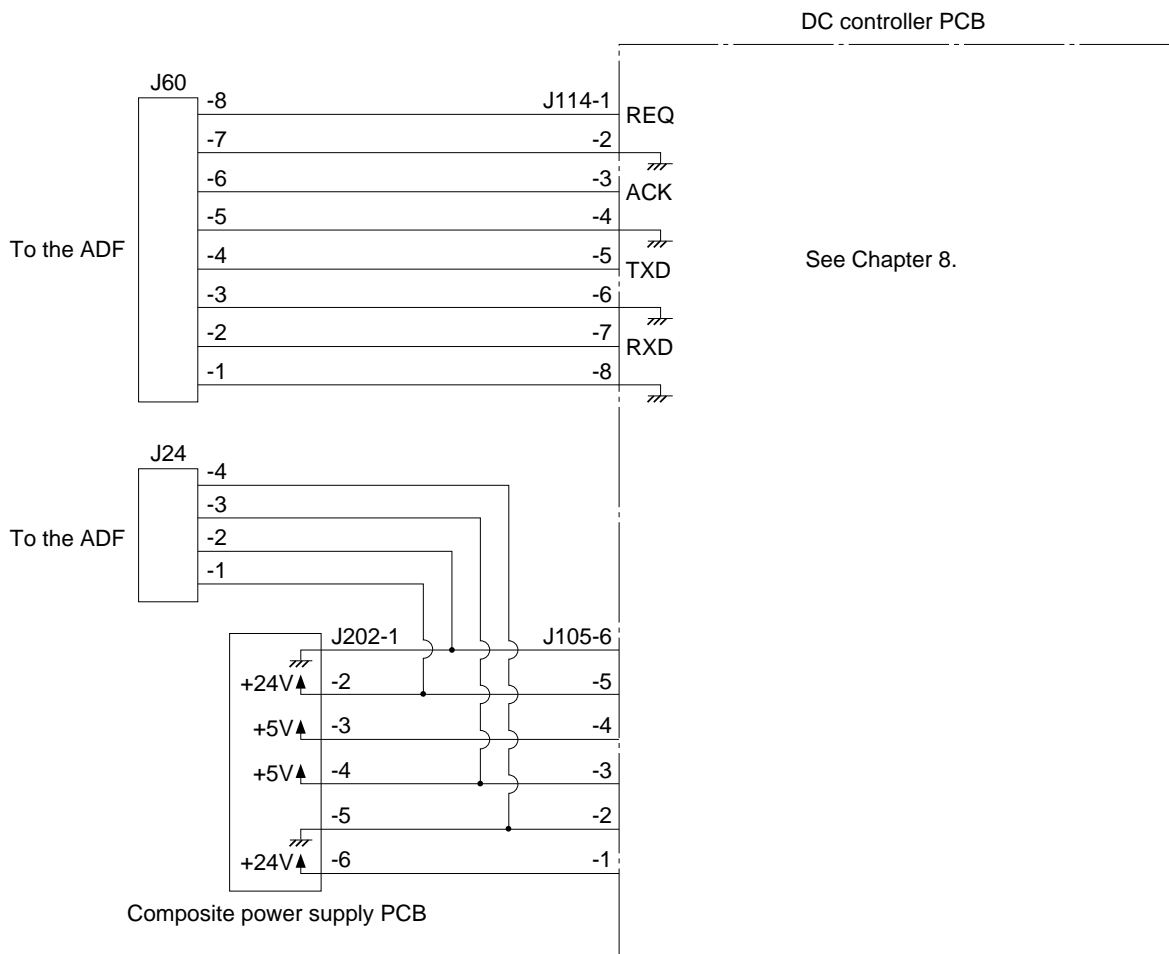


Figure 2-109

CHAPTER 3

EXPOSURE SYSTEM

This chapter discusses the principles of operation used for the machine's lens drive unit and scanner drive unit. It also explains the timing at which these drive units are operated, and shows how they may be disassembled/assmbed and adjusted.

| | | | |
|--|-----|---|------|
| I. OPERATIONS | 3-1 | A. Controlling the Scanning Lamp | 3-9 |
| A. Outline | 3-1 | III. DISASSEMBLY/ASSEMBLY | 3-12 |
| B. Varying the Reproduction Ratio | 3-2 | A. Scanner Drive Assembly | 3-13 |
| C. Lens Drive System | 3-3 | B. Lens Drive Assembly | 3-31 |
| D. Scanner Drive System | 3-4 | C. Exposure System | 3-37 |
| II. EXPOSURE SYSTEM | 3-9 | | |

I. OPERATIONS

A. Outline

Table 3-101 shows the major functions of the exposure system.

| Item | Description |
|----------------------------|--|
| Lamp | Halogen |
| Scanning | By moving the No. 1 mirror mount |
| Scanner position detection | By a sensor (scanner home position sensor; PS1) |
| Ratio variation | Main scanning direction:by varying the optical length Sub scanning direction:by varying the speed of the No. 1 mirror mount |
| Lens drive control | Scanner/lens drive motor (M2) Fixed focal point lens unit Mobile No. 4/5 mirror unit |
| Scanner drive control | Scanner/lens drive motor (M2) Scanner thermistor (TH2) |
| Protective function | By a fuse (blows in response to overheating of the scanning lamp to cut power to the lamp) • Thermal fuse (FU1; blows at 128°C) |

Table 3-101

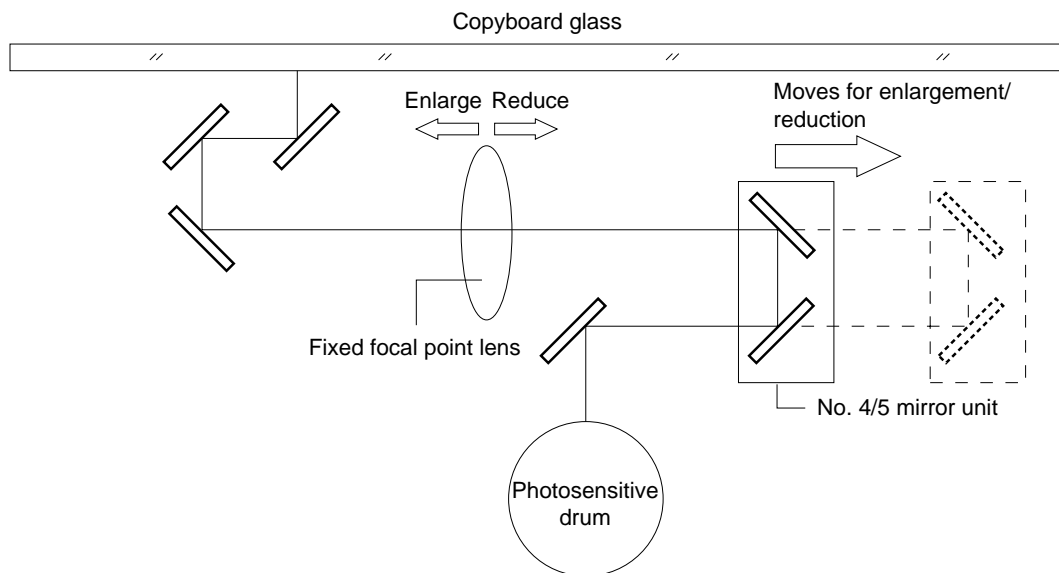


Figure 3-101

B. Varying the Reproduction Ratio

The reproduction ratio in the drum axial direction (main scanning direction) is varied by the lens drive system, and that in the drum peripheral direction (sub scanning direction) is changed by the scanner drive system.

In the lens drive system, the positions of the fixed focal point lens and the No. 4/5 mirror are changed to vary the reproduction ratio.

In the scanner system, the relative speed of the No. 1 mirror mount is made higher (for reduction) or lower (for enlargement) than the drum peripheral speed.

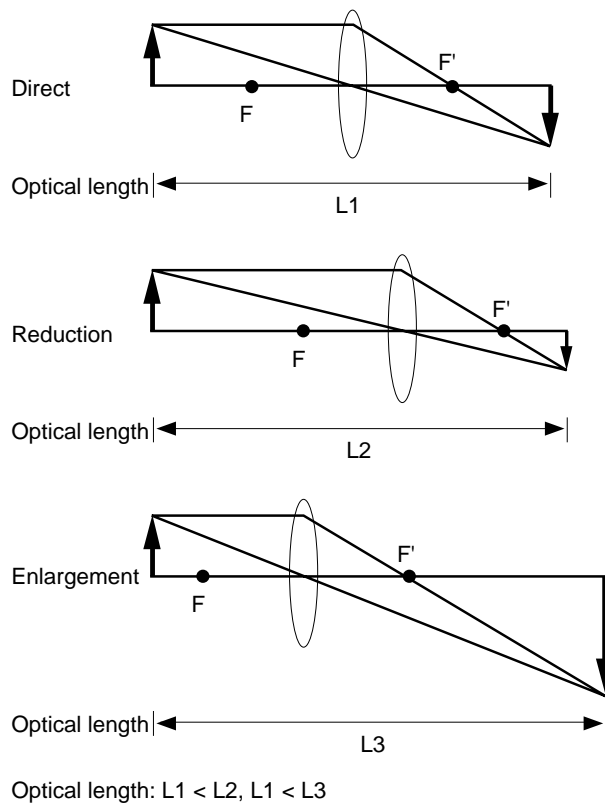


Figure 3-102

C. Lens Drive System

1. Outline

The lens drive system is driven by the scanner/lens drive motor (M2). When the lens solenoid (SL3) turns on, the switching gear is pushed in the direction of \Rightarrow . In this condition, when the scanner/lens drive motor rotates in reverse direction (\curvearrowright), the lens unit will move in the direction of reduction (\Rightarrow) by the work of the gear and the lens cable.

At the same time, the No. 4/5 mirror unit operates according to the distance over which the lens unit is moved by the work of the gear and the cam, thereby varying the optical length.

At this time, the blanking lamp also moves in conjunction with the lens to blank out the appropriate front/rear widths to suit the selected reduction ratio.

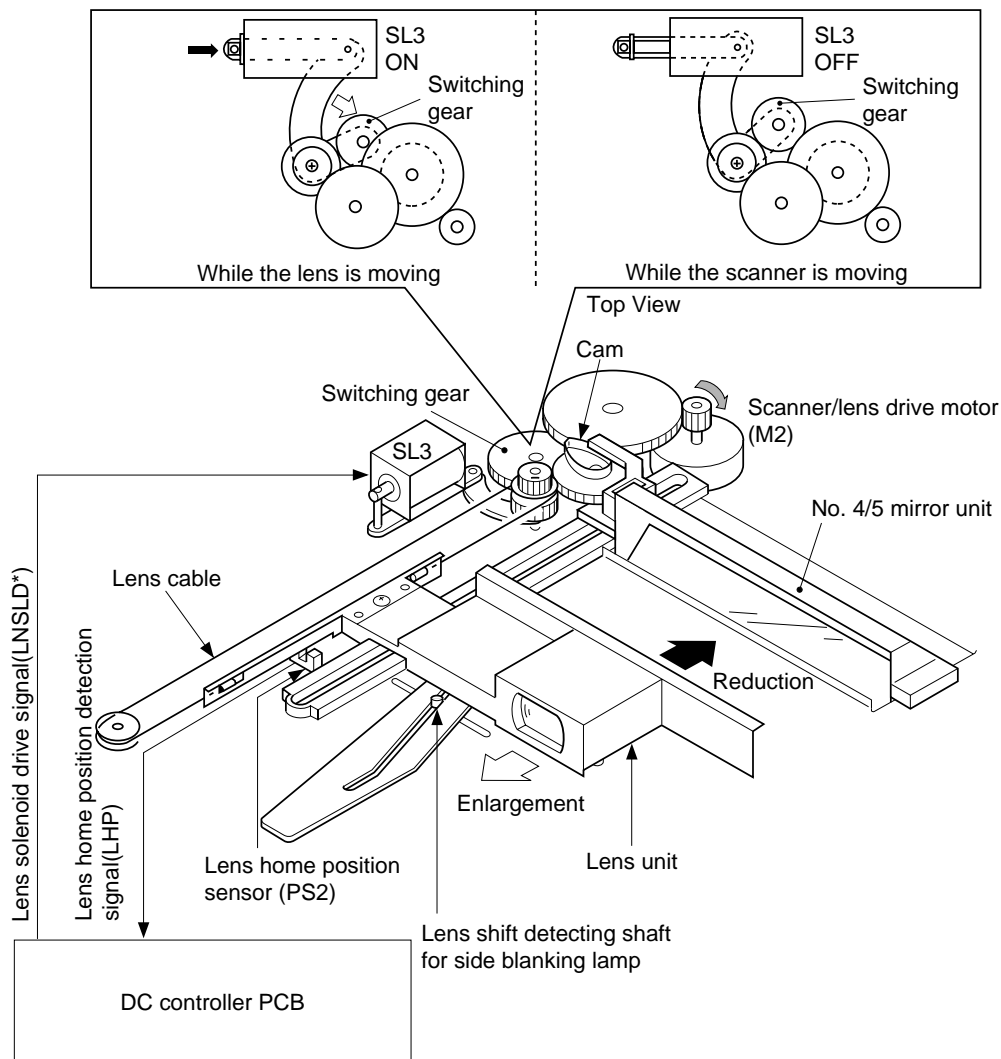


Figure 3-103

D. Scanner Drive System

1. Outline

The scanner is driven by the scanner/lens drive motor (M2), whose direction of rotation changes to move the scanner forward or in reverse.

When moving the scanner forward, the speed of rotation of the motor varies according to the selected reproduction ratio on a continuous basis; when moving the scanner in reverse, on the other hand, its speed remains the same regardless of the selected reproduction ratio in normal copying (312mm/sec, about 3.3 as fast as when moving the scanner forward in Direct).

The distance over which the scanner is moved varies according to the length of copy paper and the selected reproduction ratio.

The scanner/lens drive motor drives the lens drive system as well as the scanner.

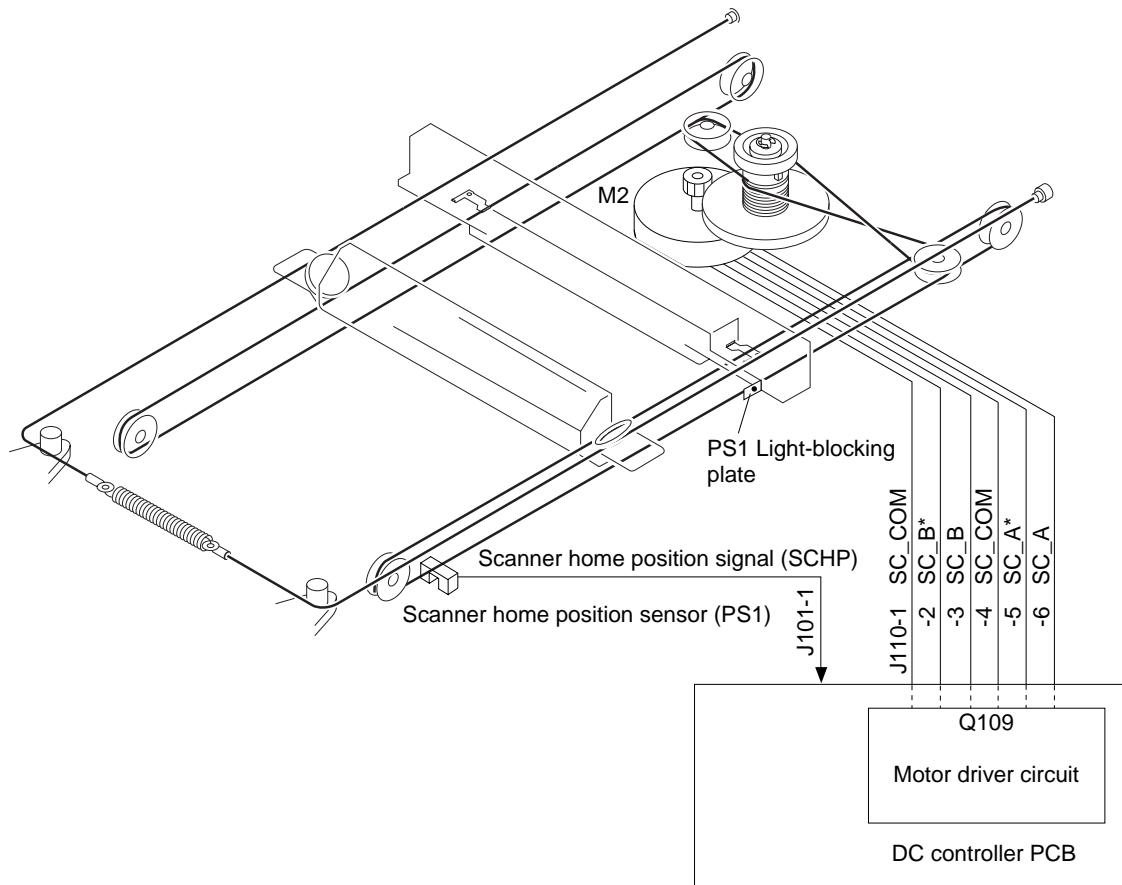


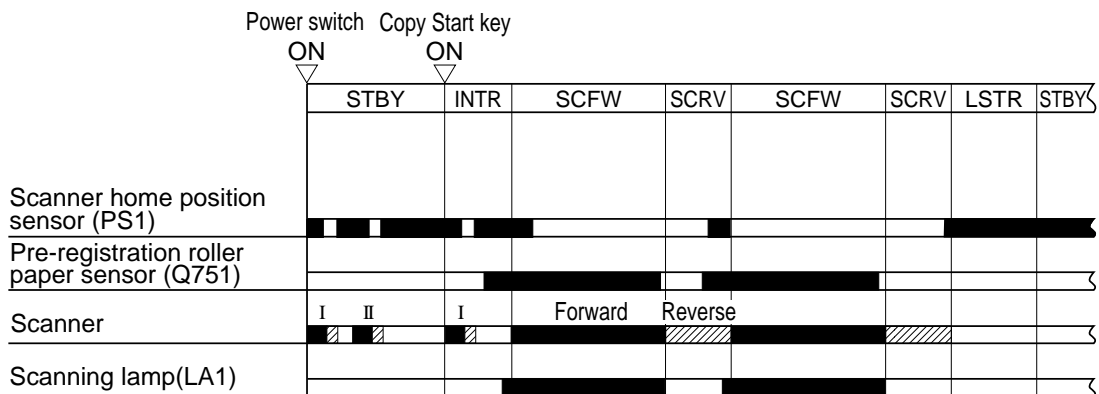
Figure 3-104

2. Relationship between Scanner Sensor and Signal

| Scanner sensor | Signal | Scanner | | Description |
|-----------------------------------|--------|---------|---------|--|
| | | Forward | Reverse | |
| PS1(scanner home position sensor) | SCHP | | | <ul style="list-style-type: none"> Provides a means of reference for determining forward movement distance. |
| | | | | <ul style="list-style-type: none"> Stops the scanner moving in reverse in 0.1 sec. |

Table 3-102

3. Basic Sequence of Operations (scanner)



- I: Scanner home position detection
- II: Lens home position detection

Figure 3-105

The microprocessor on the DC controller PCB controls the forward movement distance of the scanner with reference to the falling edge of the scanner home position signal. The forward movement distance of the scanner varies according to the length of copy paper and reproduction ratio. If the ratio is less than 130%, the scanner is moved forward as if for A4 (297 mm); if it is 130% or more, the scanner is moved forward as if for LTR (279 mm).

For descriptions on how length is detected, see p. 5-10.

4. Controlling the Copying Speed

The machine uses a halogen lamp for scanning, and the heat of the lamp increases the temperature of the copyboard.

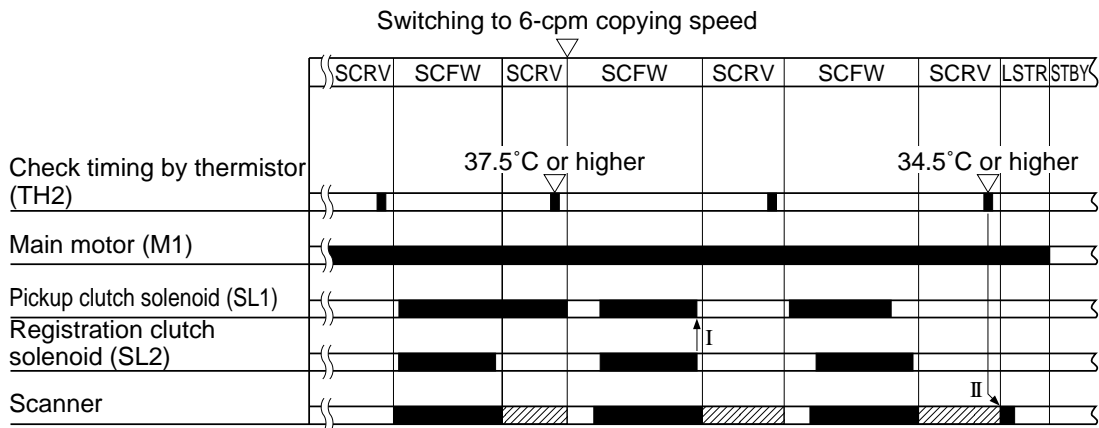
To prevent possible overheating of the copyboard glass, the temperature of the scanner is monitored by a thermistor (TH2); if its reading reaches 37.5°C or higher, the copying speed is reduced to 6 cpm.

If this mechanism turns on during continuous copying, it remains on until the end of the copying job.

At the end of copying, if the reading of the thermistor is 34.5°C or higher, the No. 1 mirror mount is moved forward 105 mm from the home position and stopped, thereby lowering the temperature of the copyboard fast.

Reference:

While the copying speed is controlled to 6 cpm, the speed of the reverse movement of the scanner is reduced to prevent overheating of the copyboard glass. (about 75 mm/sec)



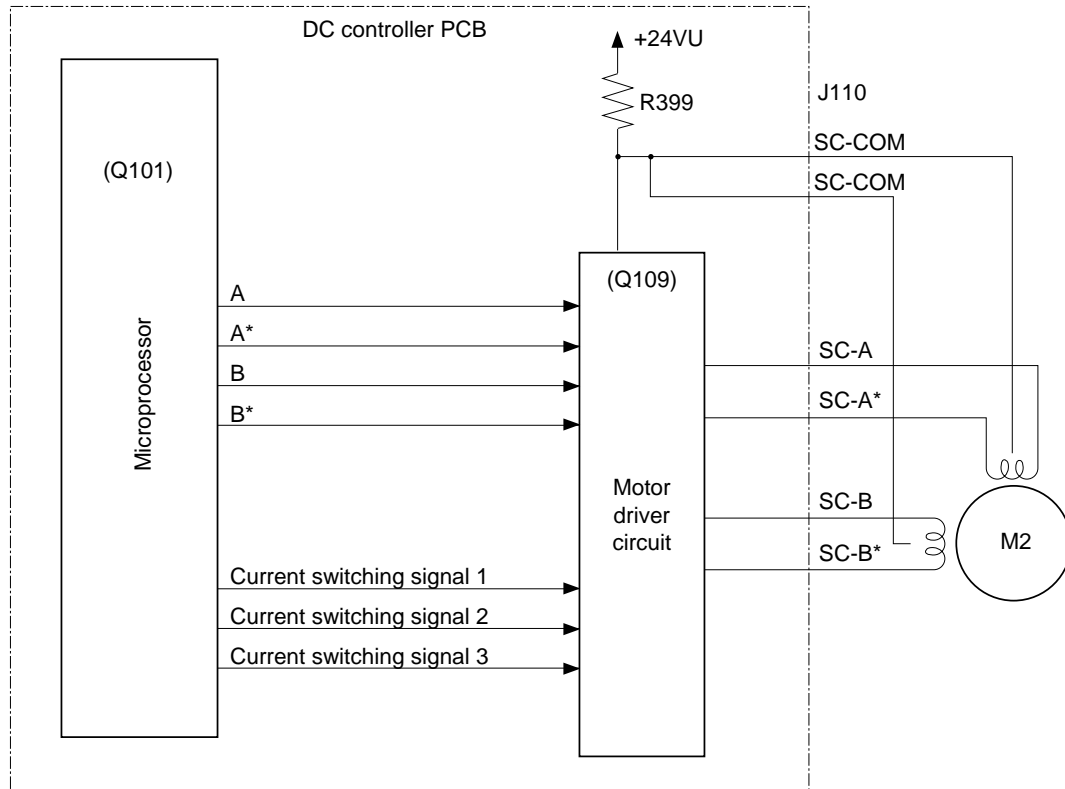
- I: When the pre-registration roller paper sensor (Q751) is off, the pickup clutch solenoid is turned off to prevent overheating of the pickup clutch solenoid (SL1).
- II: By the time the Copy Start key is pressed or the power switch is turned off and then on again next time, the scanner is moved to and stopped at 105 mm forward from the home position.

Figure 3-106

5. Controlling the Scanner/Lens Drive Motor

a. Outline

The scanner/lens drive motor (M2) is a 4-phase stepping motor. The timing at which the drive power (SC-COM) and pulses (SC-A, SCA*, SC-B, SC-B*) are generated is controlled to turn on/off the scanner/lens drive motor (M2) or to switch the direction of its rotation.



b. Operations

The microprocessor (Q101) mounted on the DC controller PCB receives instructions from the control panel PCB copying mode settings (e.g., reproduction ratio). In response, it applies drive pulses to the scanner/lens drive motor (M2) through the motor driver circuit.

The scanner motor is a 4-phase stepping motor, and changes the direction and speed of its rotation according to the sequence and frequency of drive pulses (SC-A*through SC-B*).

The motor drive voltage is switched on and off by pulse signals (A through B*) generated by the microprocessor (Q101). Any of these pulse signals is generated when the motor is in operation, while no pulse signal is generated when the motor is at rest.

The current switching signals from 1 to 3 generated by the microprocessor (Q101) are used to control the current flowing to the motor so that it varies according to the state of the scanner and the lens.

| | Starting the lens | Moving the lens | Reversing the scanner | Forwarding the scanner |
|----------------------------|-------------------|-----------------|-----------------------|------------------------|
| Current switching signal 1 | 0 | 0 | 0 | 1 |
| Current switching signal 2 | 0 | 0 | 1 | 1 |
| Current switching signal 3 | 0 | 1 | 1 | 1 |

c. Detecting Overcurrent for the Scanner/Lens Drive Motor

If overcurrent flows to the scanner/lens drive motor for some reason, the fuse (R339) on the DC controller PCB will blow to cut the power to the motor.

Caution:

The fuse (R339) will not recover once it has blown.

II. EXPOSURE SYSTEM

A. Controlling the Scanning Lamp

1. Outline

Figure 3-201 shows the circuit used to control the scanning lamp, and has the following functions:

- Turning on/off the scanning lamp.
- Controlling the intensity of the scanning lamp.
- Monitoring the state (on/off) of the scanning lamp.

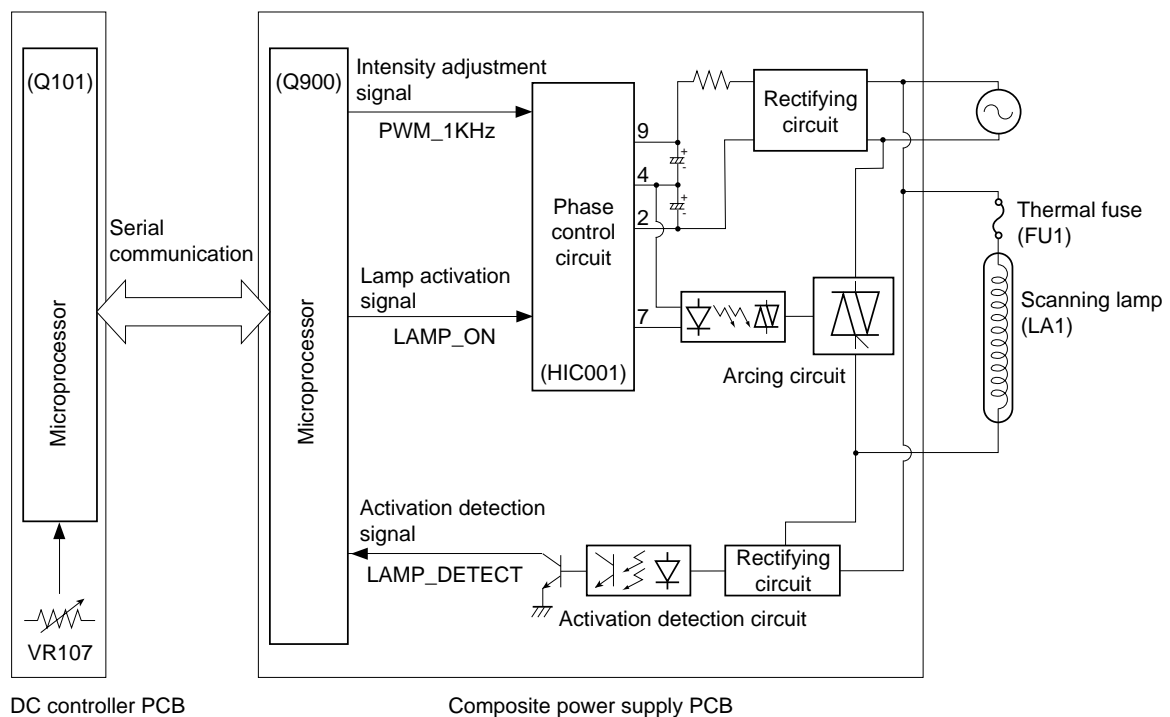


Figure 3-201

2. Operations

a. Turning On/Off the Scanning Lamp

The DC controller PCB and the composite power supply exchange signals in serial communication to control the scanning lamp. According to the scanner lamp active voltage signal, the microprocessor (Q900) on the composite power supply PCB controls the intensity adjustment signal (PWM_1KHz) and the lamp activation signal (LAMP_ON) to turn on/off the scanning lamp (LA1).

When LAMP_ON is '0',

- ↳ The phase control circuit turns on.
- ↳ The arcing circuit turns on.
- ↳ The scanning lamp turns on.

When LAMP_ON is '1',

- ↳ The phase control circuit turns off.
- ↳ The arcing circuit turns off.
- ↳ The scanning lamp turns off.

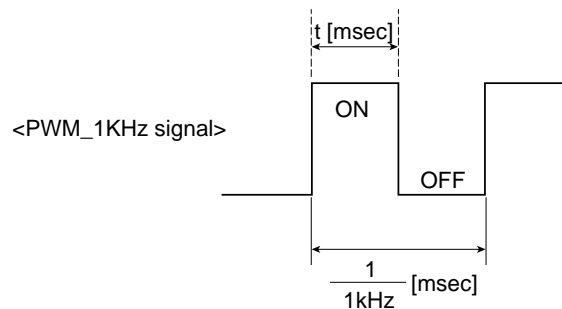
b. Controlling the Intensity of the Scanning Lamp

The intensity of the lamp is controlled by the scanning lamp active voltage signal sent by the DC controller PCB in serial.

The microprocessor (Q900) on the composite power supply PCB sends the intensity adjustment signal (PWM_1KHz) in response to the scanning lamp active voltage signal. In turn, the phase control circuit (HIC 001) controls the voltage supplied to the scanning lamp.

The PWM_1KHz signal varies according to the setting of VR107 mounted on the DC controller PCB between 10% and 90% in terms of pulse duty ratio or between 50.5 and 80 V for the 120 V model (between 85.7 and 145.8 V for the 220/240 V model) in terms of actual voltage by way of phase control.

However, the intensity remains a specific value for AE exposure so that it is 56 V for the 120 V model (108.5 V for the 220/240 V model) in terms of actual voltage.



$$\text{Pulse duty} = t / \frac{1}{1\text{k}} \times 100 [\%]$$

Figure 3-202

c. Monitoring the Activation of the Scanning Lamp

The activation detection signal (LAMP_DETECT) is sent to the microprocessor (Q900) on the composite power supply PCB as long as the scanning lamp remains on.

The composite power supply PCB sends the lamp activation signal to the DC controller PCB in serial by way of monitoring the activation of the scanning lamp (LA1).

Related Error Code

E220

- The lamp activation detection signal is not detected for 1 sec or more although the scanning lamp activation signal has been sent.
- The lamp activation detection signal has been detected for 1 sec or more although the scanning lamp activation signal is not sent.

If an error has been detected, the power switch will be turned off after indicating an error code for 2 sec.

III. DISASSEMBLY/ASSEMBLY

As needed, disassemble/assemble the machine with the following in mind:

1. **▲** Before starting the work, turn off the power switch and disconnect the power plug for safety.
2. Unless otherwise instructed, assemble the parts by reversing the steps used to disassemble it.
3. Identify the screws by type (length, diameter) and location.
4. Use the washers where necessary. (The screws used to mount the grounding wire and Varistors come with a washer to ensure electrical continuity.)
5. As necessary, cut the harness band.
6. As a rule, do not operate the machine with any of its part removed.
7. A few of the screws used are special screws (with wider thread intervals). Do not use any screws indiscriminately.

A. Scanner Drive Assembly

1. Removing the Scanner/Lens Drive Motor

- 1) Remove the front lower cover.
(See Chapter 7.III.A.2. "Removing the Front Lower Cover.")
- 2) Remove the copyboard glass.
(See Chapter 7.III.C.1. "Removing the Copyboard Glass.")
- 3) Remove the four screws [1], and detach the lens cover [2].

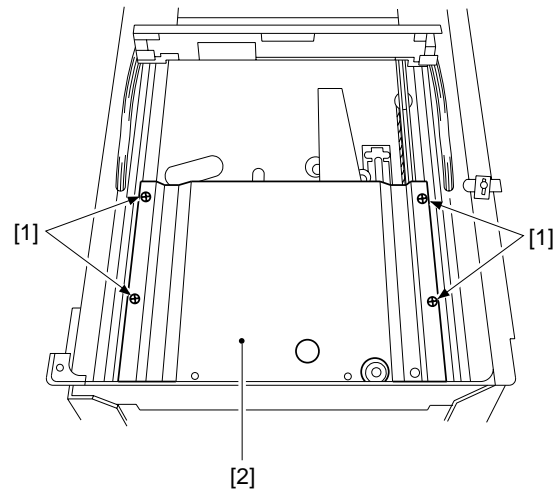


Figure 3-301

- 4) Disconnect the connector (J110) [3] from the DC controller PCB.

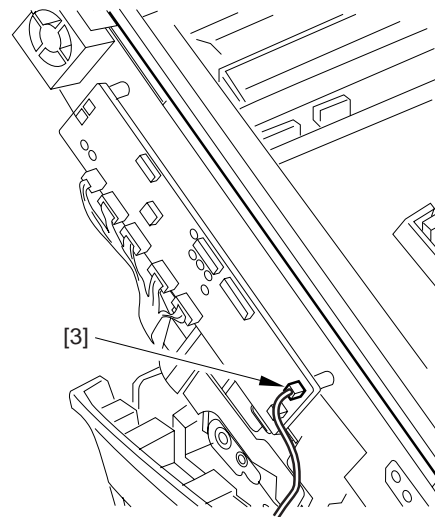


Figure 3-302

- 5) Open the machine's top unit farther, and hold it in position using the handle (about 30 mm in diameter) of a screwdriver.

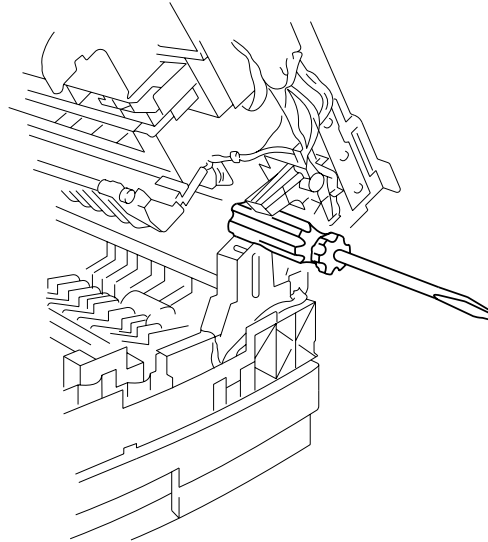


Figure 3-303

- 6) Remove the machine's two fixing screws [4] from the scanner/lens drive motor [5].

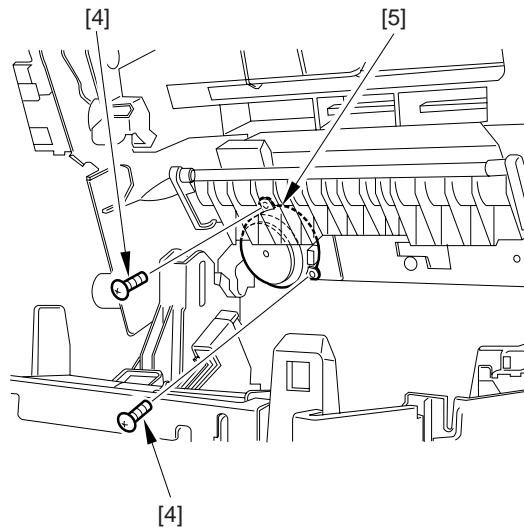
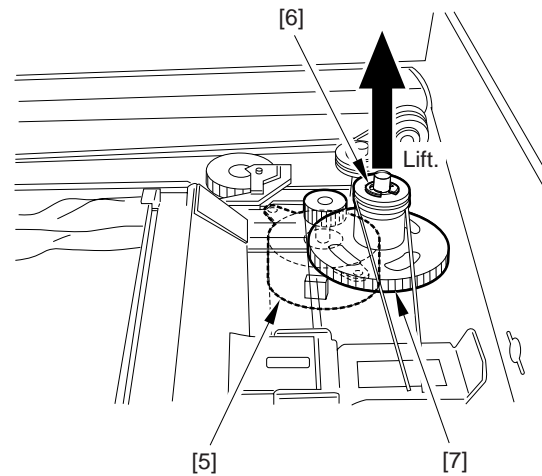


Figure 3-304

- 7) Free the top unit (by removing the screw-driver), and close the top unit.
- 8) Remove the E-ring [6]; then, lift the cable drive pulley [7] slightly, and detach the scanner/lens drive motor [5].

**Figure 3-305**

2. Outline of the Scanner Drive Cable

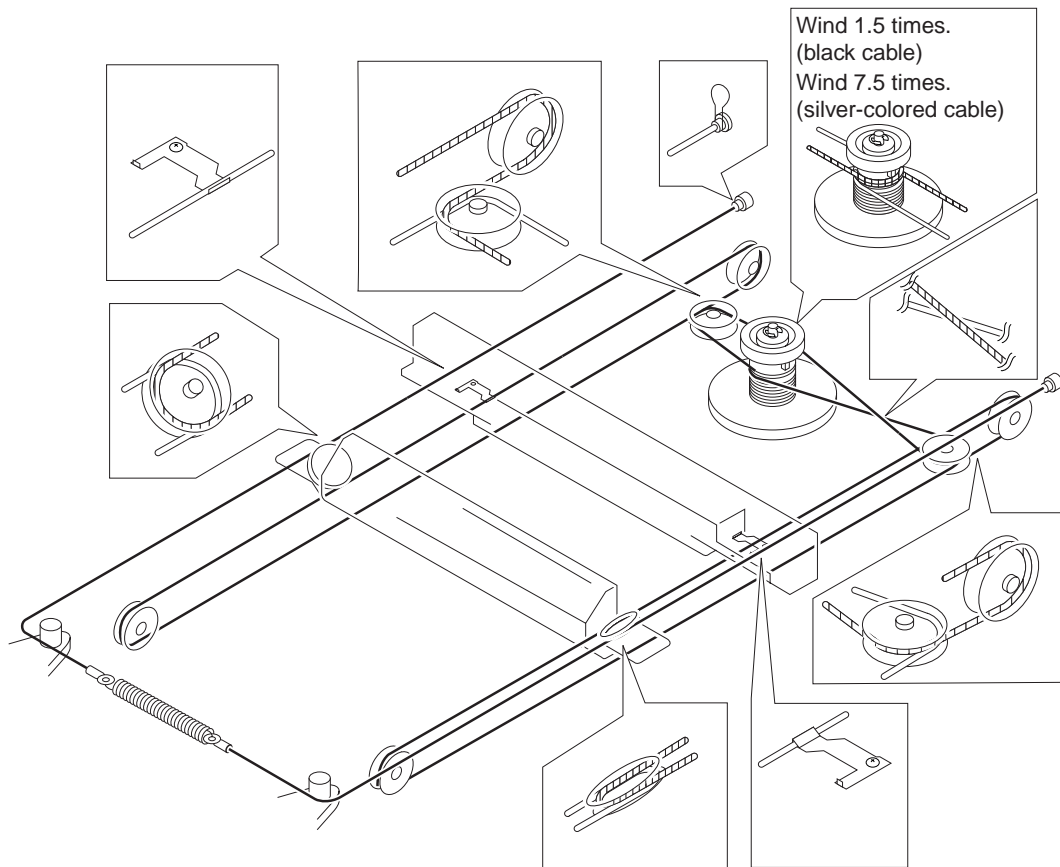


Figure 3-306

3. Routing the Scanner Drive Cable

a. Before Starting the Work

Prepare the following:

- Mirror positioning tool
- Cable clip
- Adhesive tape

- 1) Set the mirror positioning tool as shown.

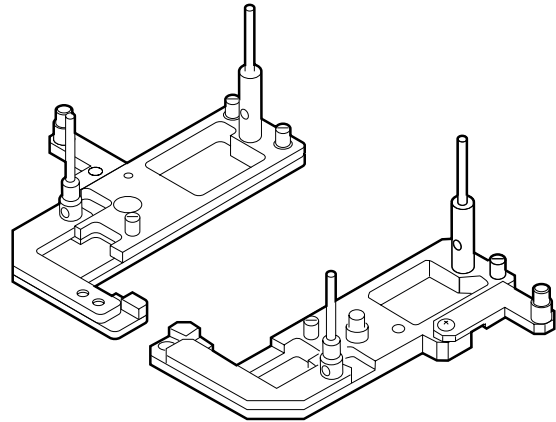


Figure 3-307

- 2) Prepare about five strips of adhesive tape (each one about 20 × 50 mm).
- 3) Remove the copyboard glass. (See Chapter 7.III.C.1. "Removing the Copyboard Glass.")
- 4) Disconnect the connectors (J101, J131 [1]) from the DC controller PCB.

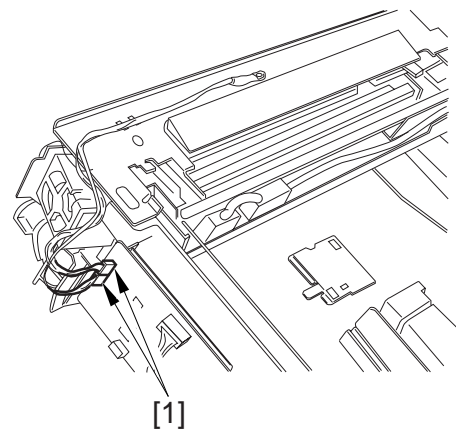


Figure 3-308

- 5) If the machine is equipped with an ADF, free the hook [2], and disconnect the two relay connectors [3] from the left upper stay [4].

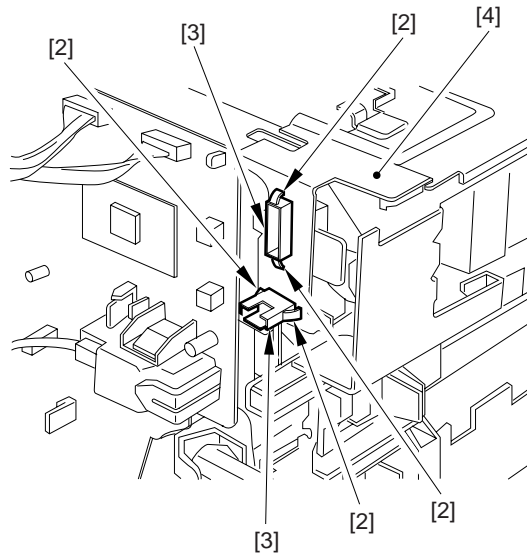


Figure 3-309

- 6) Remove the three screws [5], and detach the left upper stay [4].

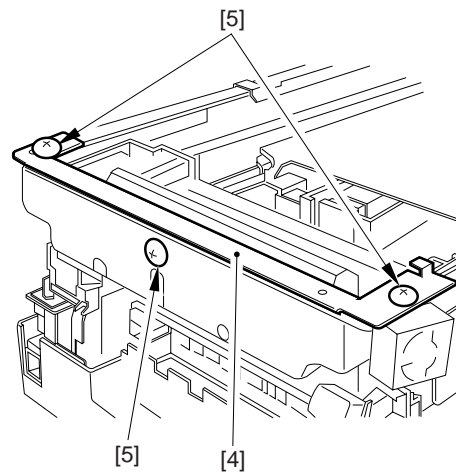


Figure 3-310

- 7) Remove the four screws [6], and detach the lens cover [7].

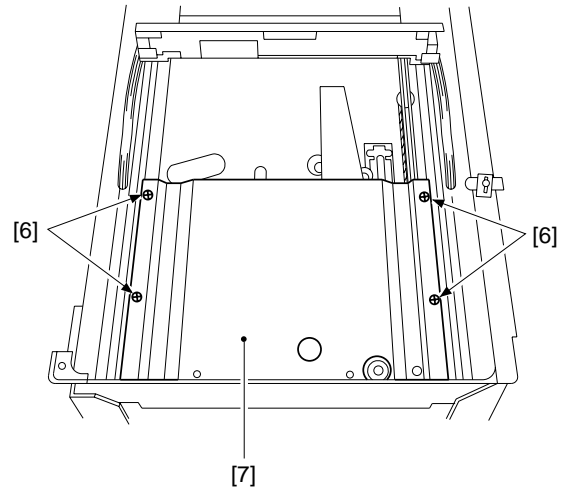


Figure 3-311

b. Routing the Reversing Cable

- 1) Wind the reversing cables (silver-colored) [2] on the cable drive pulley [1] 7.5 times with the longer end on top; then, secure it in position with a cable clip [3].

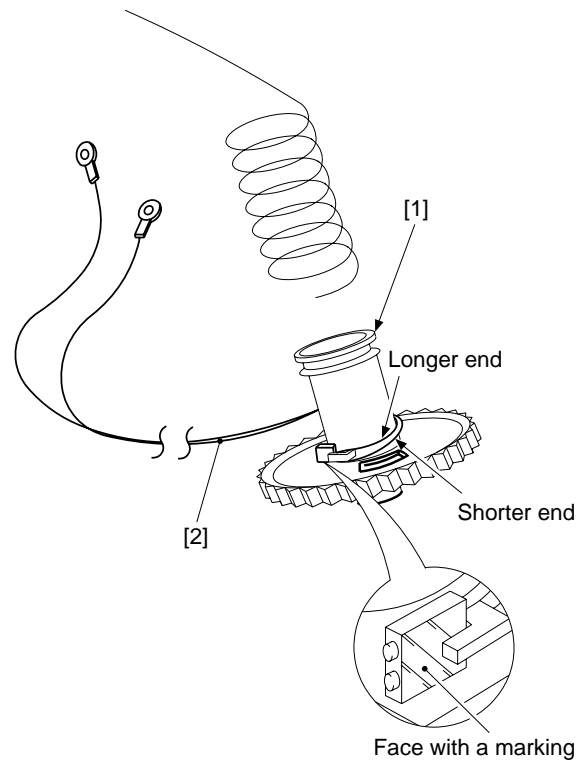


Figure 3-312

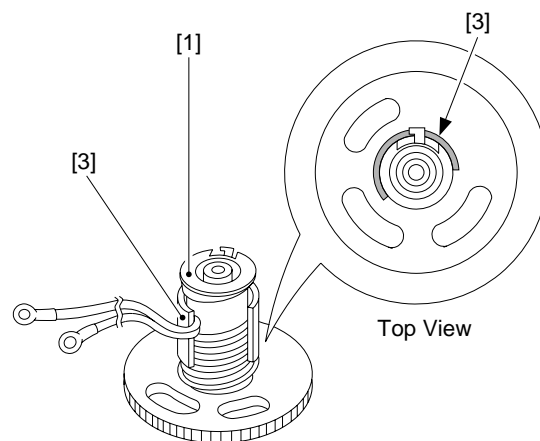


Figure 3-313

- 2) Put the cable drive pulley [1] into the shaft [4], and secure it in position with an E-ring [5].
When putting the cable drive pulley into the shaft, be sure that the hook is at the front.

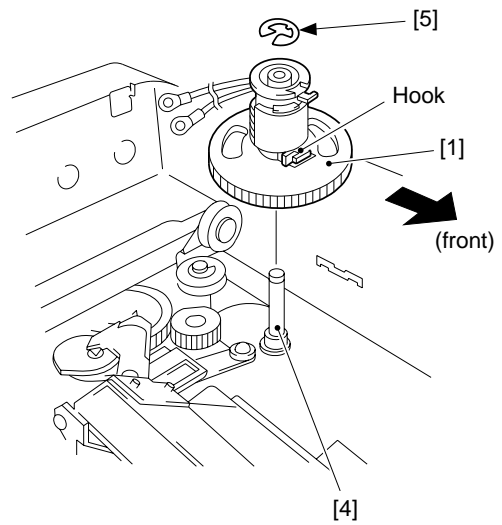


Figure 3-314

- 3) Hook the shorter end [6] on the pulley [7].

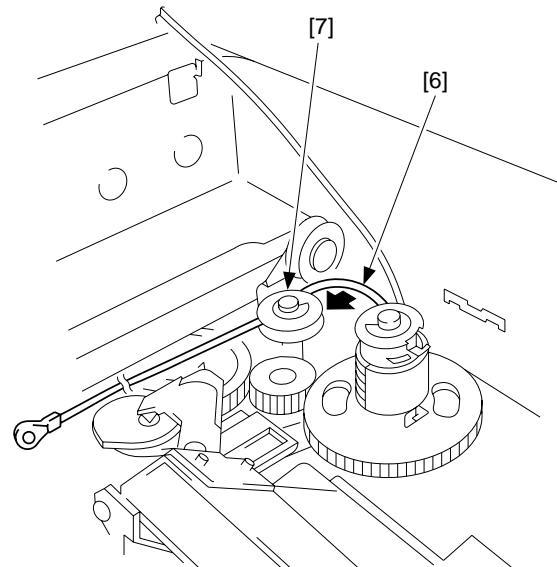


Figure 3-315

- 4) Lead the shorter end [6] under the No. 1 mirror mount [8] and the No. 2/3 mirror mount [9]; then, hook it on the left rear pulley [10] and the pulley [11] of the No. 2/3 mirror mount.

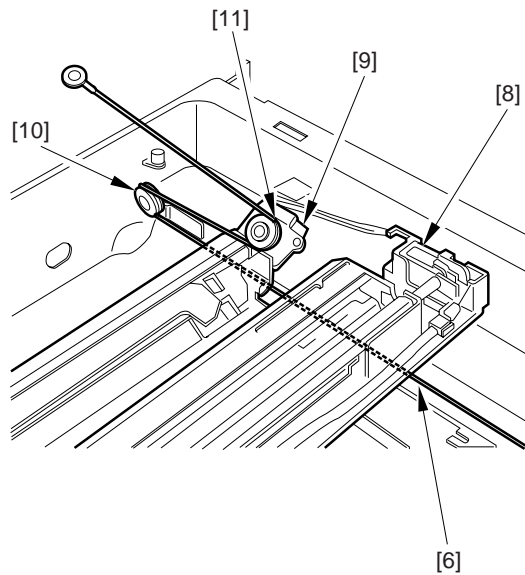


Figure 3-316

- 5) After fitting the shorter end [6] on the cable hook [12], secure its end with adhesive tape [13]. Be sure that the secured end of the cable is found where the hole in the left side plate and the tip of the cable matches.

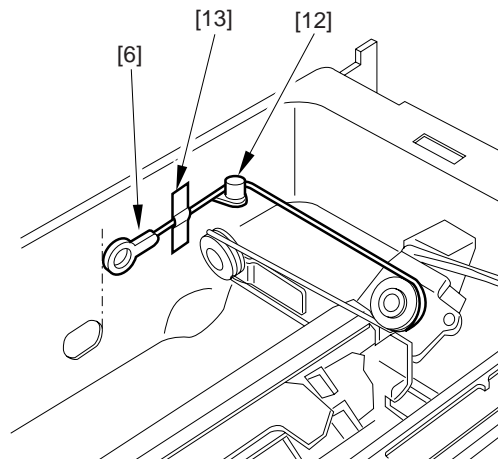


Figure 3-317

- 6) Lead the longer end [14] along the cable drive pulley, and hook it on the pulley [15] on the right front side.

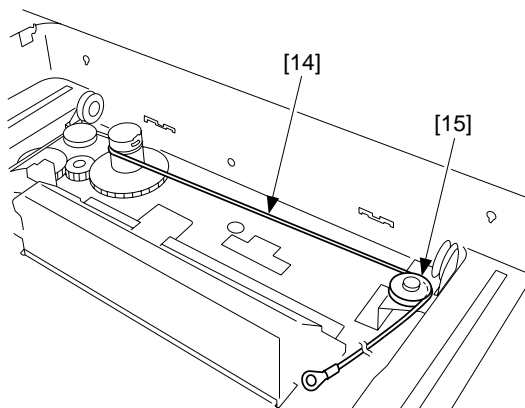


Figure 3-318

- 7) Lead the longer end [14] under the No. 1 mirror mount [8] and the No. 2/3 mirror mount [9]; then, hook it on the pulley [16] on the left front side and the pulley [17] of the No. 2/3 mirror mount.

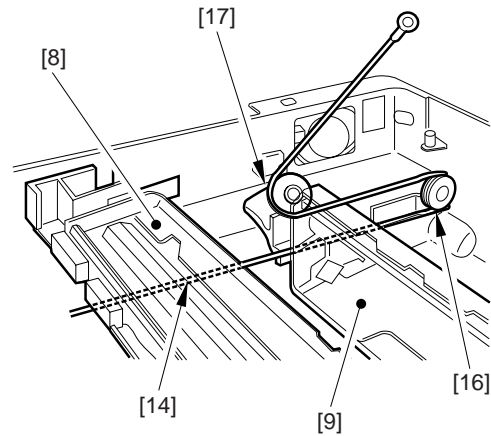


Figure 3-319

- 8) Hook the longer end [14] on the cable hook [18]; then, secure its end to the left side with adhesive tape [19].
Be sure that the secured end of the cable is found where the hole in the left side plate and the tip of the cable matches.

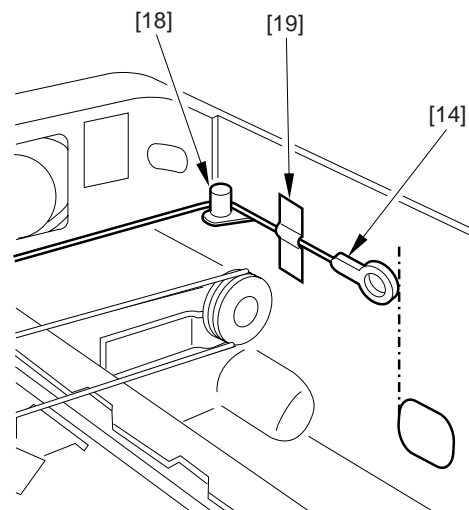


Figure 3-320

c. Routing the Forwarding Cable

- 1) Fit the longer end forwarding cable (black) [2] on the top hook of the cable drive pulley [1], and wind it 1.5 times. Then, secure the shorter end [3] as shown with adhesive tape [4].

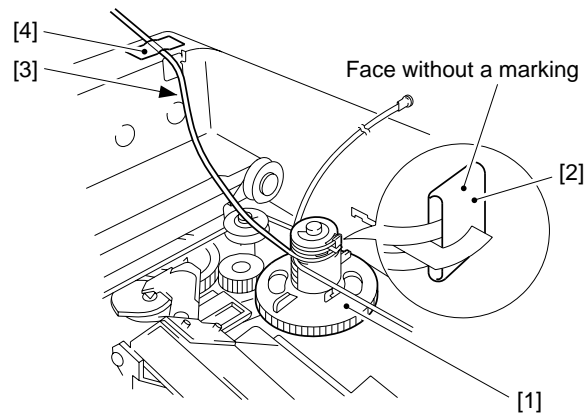


Figure 3-321

- 2) Lead the longer end [5] along the cable drive pulley [1] as shown, and hook it on the pulley [6] on the right front side.

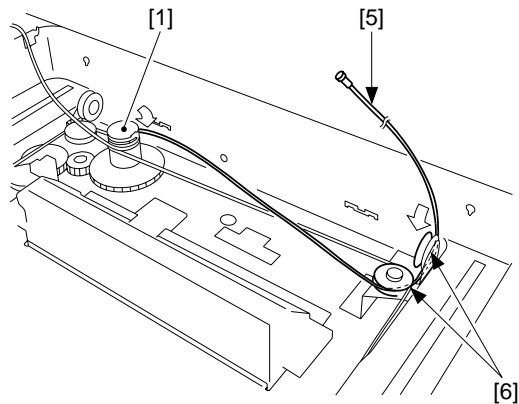


Figure 3-322

- 3) Lead the longer end [5] under the No. 1 mirror mount [7]; then, hook it on the pulley [8] of the No. 2/3 mirror mount, and lead it between the No. 1 mirror mount [7] and the scanning lamp [9].

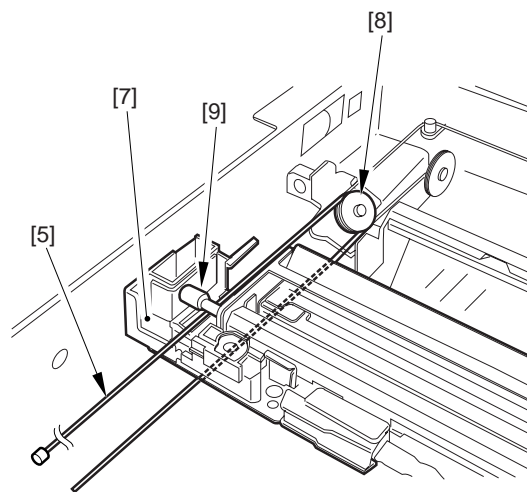


Figure 3-323

- 4) Hook the end of the longer end [5] on the hole [10] on the right side.

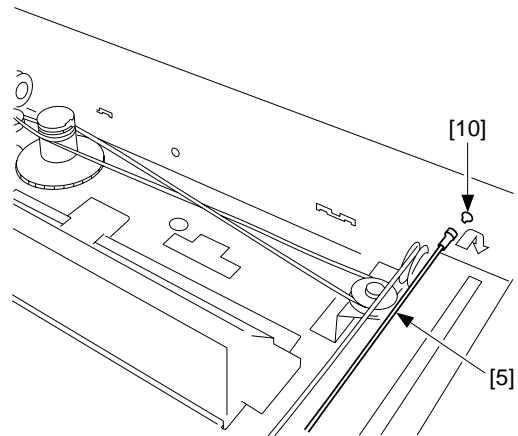


Figure 3-324

- 5) Free the shorter end [3], and hook it on the pulley [11] on the right rear side.

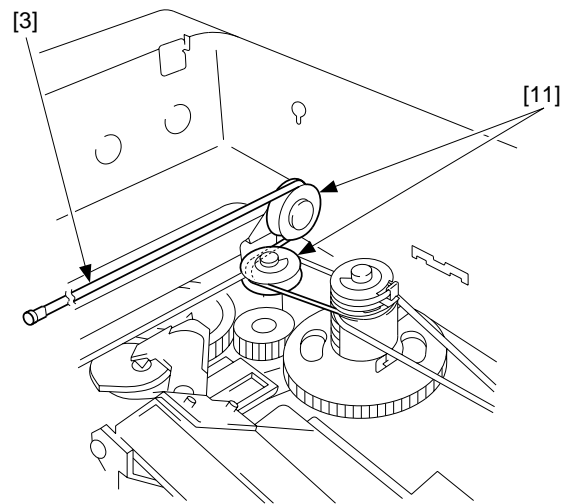


Figure 3-325

- 6) Lead the shorter end [3] under the No. 1 mirror mount [7], and hook it on the pulley [12] of the No. 2/3 mirror mount as shown; then, lead it between the No. 1 mirror mount [7] and the scanning lamp [9].

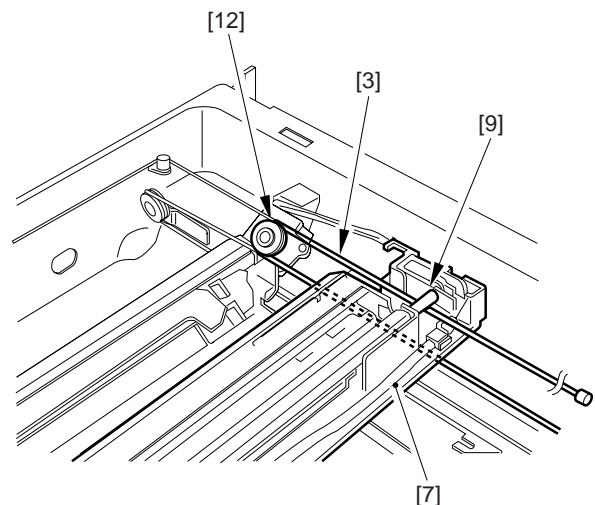


Figure 3-326

- 7) Hook the end of the shorter end [3] on the hole [13] on the right side.

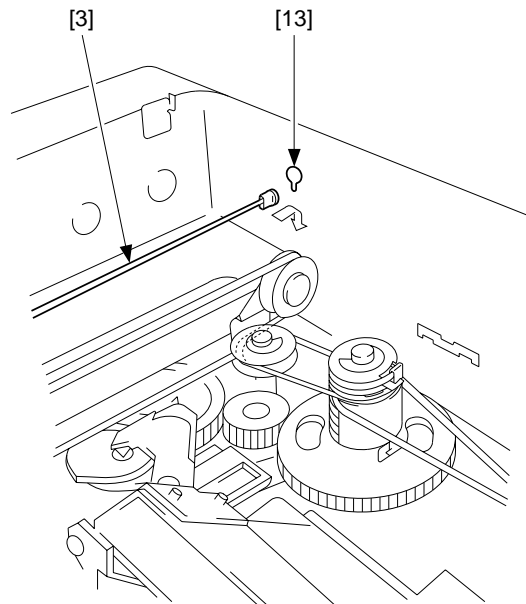


Figure 3-327

- 8) Free the shorter end [3] and the longer end [5] (reversing cable), and connect both with a spring [14]; then, fit the stopper [15].

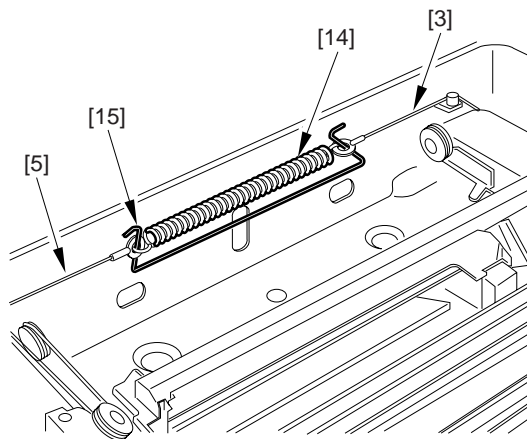


Figure 3-328

- 9) Detach the pulley clip [16] from the cable drive pulley [1].

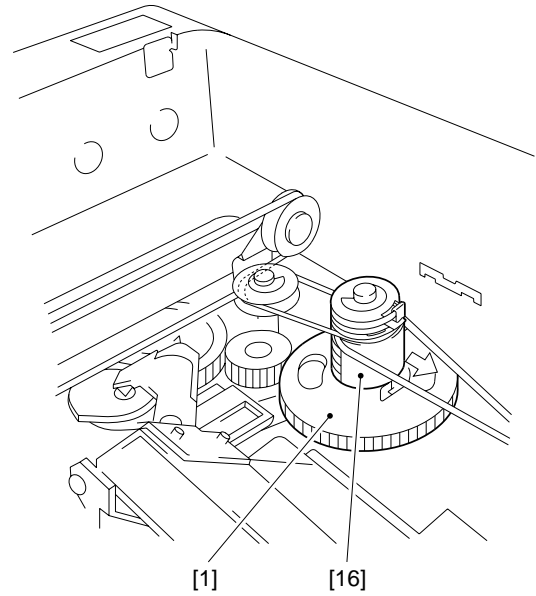


Figure 3-329

- d. Positioning the No. 1 Mirror Mount
 1) Fix the rear and the front of the No. 1 mirror mount [1] temporarily to the metal fixing [2] of the forwarding cable.

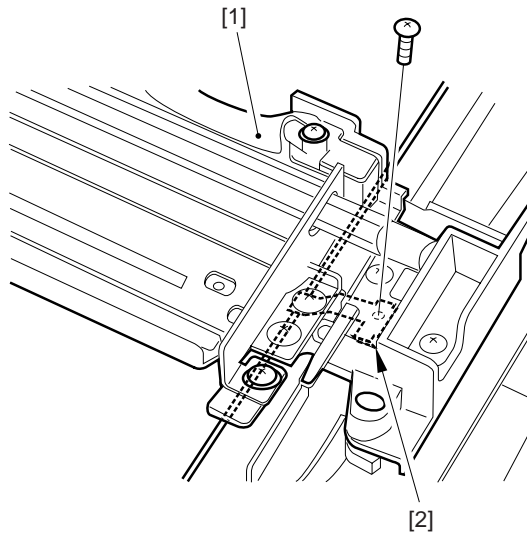


Figure 3-330 (rear)

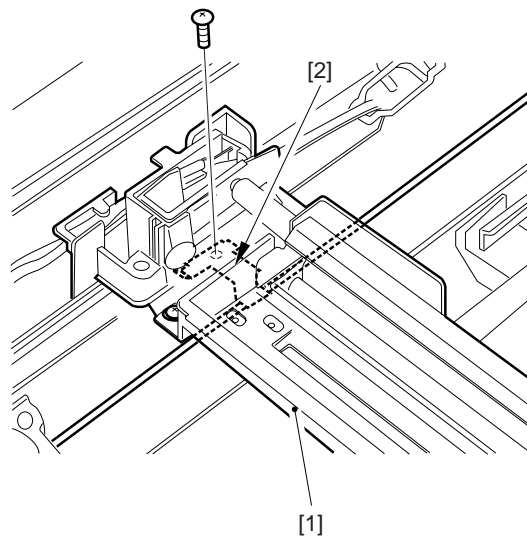


Figure 3-331 (front)

- 2) Turn the cable drive pulley [4] so that the three shafts [3] of the mirror positioning tool for rear and front is as shown.

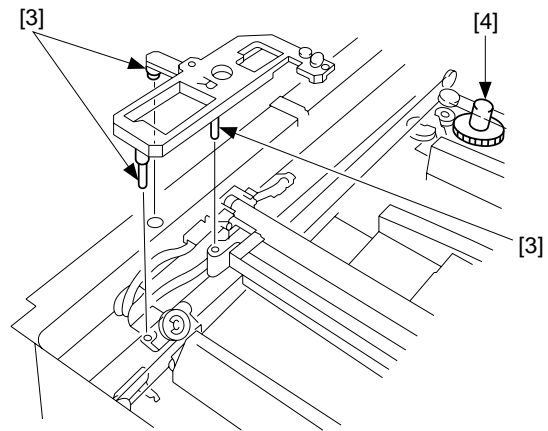


Figure 3-332 (rear)

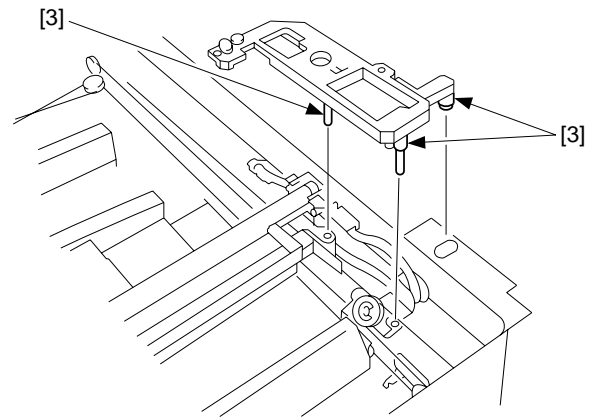


Figure 3-333 (front)

- 3) While keeping the condition of step 2), tighten the positioning screw on the rear and front of the No. 1 mirror mount [1].

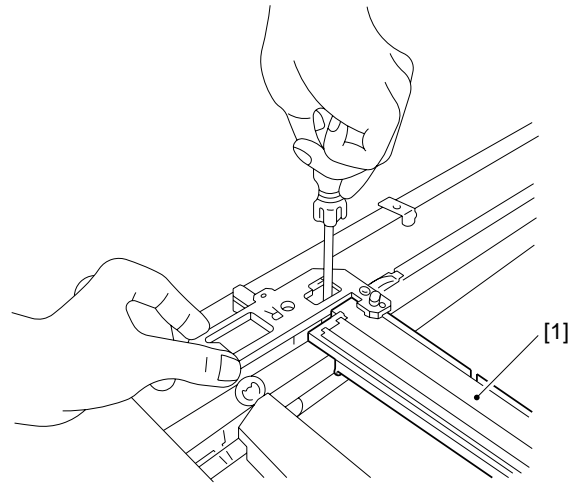


Figure 3-334 (rear)

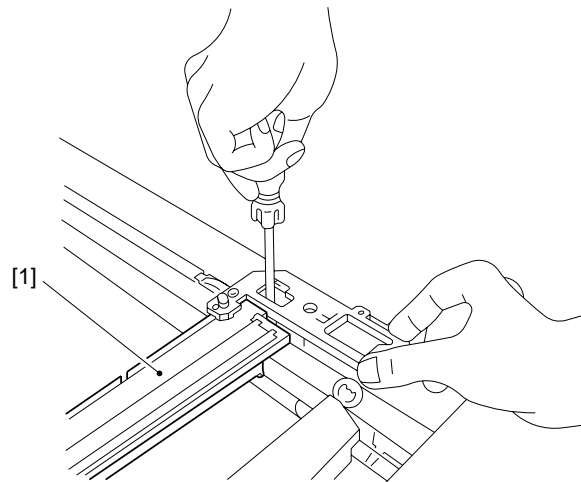


Figure 3-335 (front)

B. Lens Drive Assembly

1. Removing the Lens Cable

- 1) Turn on the power; when the lens has moved to the Direct position, disconnect the power plug.
- 2) Remove the copyboard glass.
(See Chapter 7.III.C.1. "Removing the Copyboard Glass.")
- 3) Remove the main drive assembly.
(See Chapter 7.III.D.2. "Removing the Main Drive Assembly.")
- 4) Remove the four screws [1], and detach the lens cover [2].

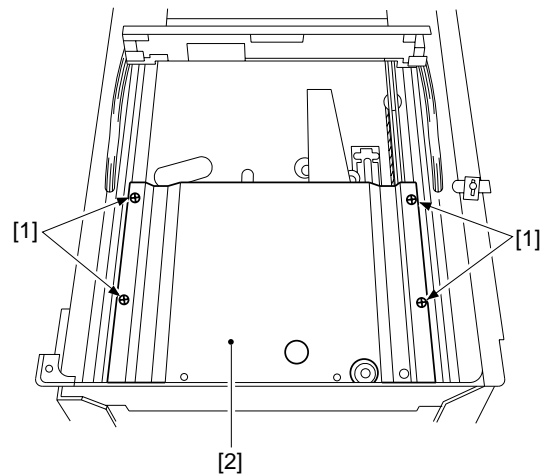


Figure 3-336

- 5) Mark the position of the lens cable fixing plate [3] and the lens mount [4] with a scribe.

Caution:

When routing the lens cable, be sure to refer to the marking made with a scribe.

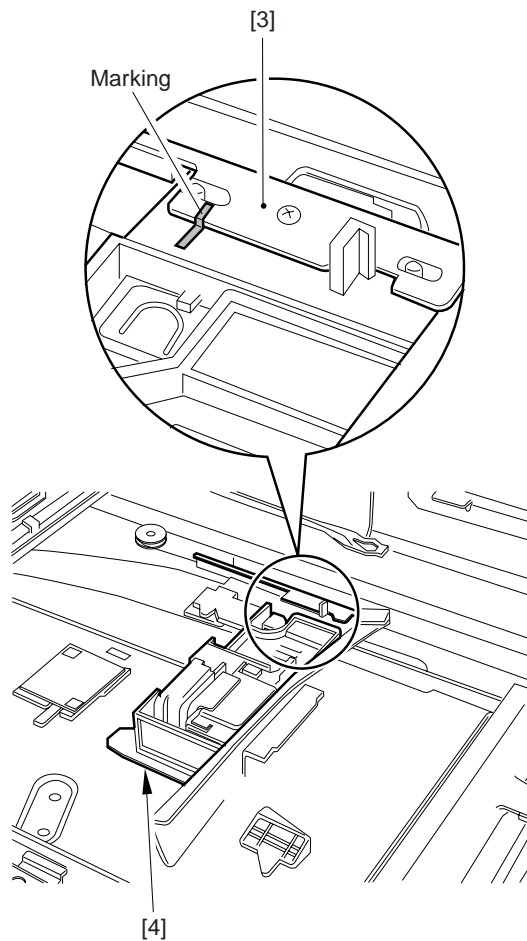


Figure 3-337

- 6) Disengage the lever [5] of the No. 4/5 mirror mount and the gear [6].

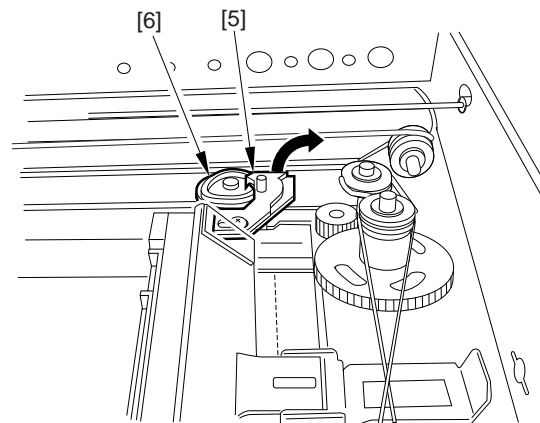


Figure 3-338

- 7) Remove the screw [7], and detach the cam gear [6] and the cable retainer [8].

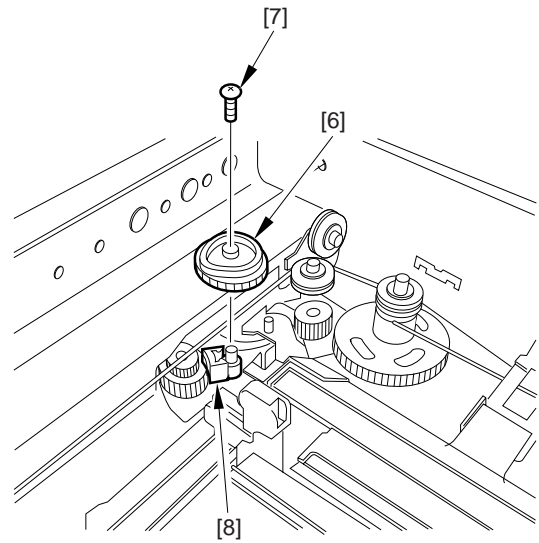


Figure 3-339

- 8) Holding the middle of the No. 1 mirror mount [9], move it to the center of the machine.

Caution:
Do not hold the reflecting plate.

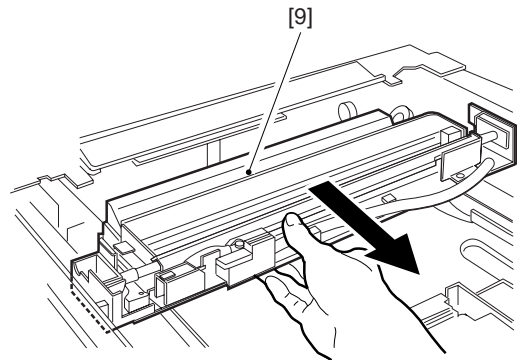


Figure 3-340

- 9) Remove the spring [10].

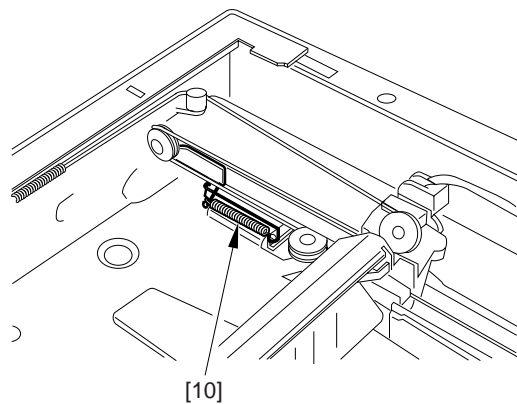


Figure 3-341

- 10) Remove the screw [11], and detach the lens cable fixing plate [12].

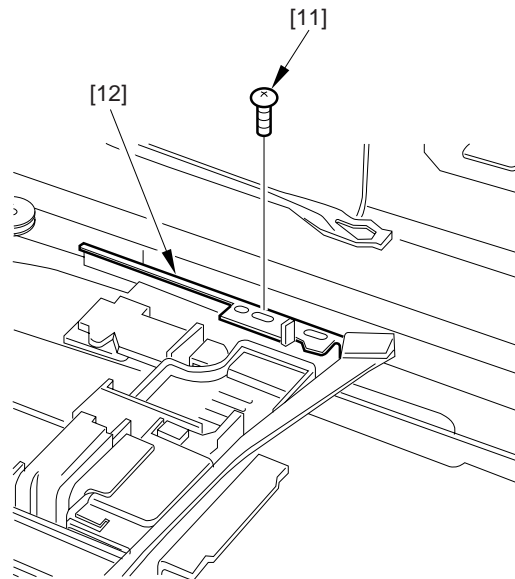


Figure 3-342

- 11) Free the lens cable [13] from the lens cable fixing plate [12]; then, detach the lens cable from the machine.

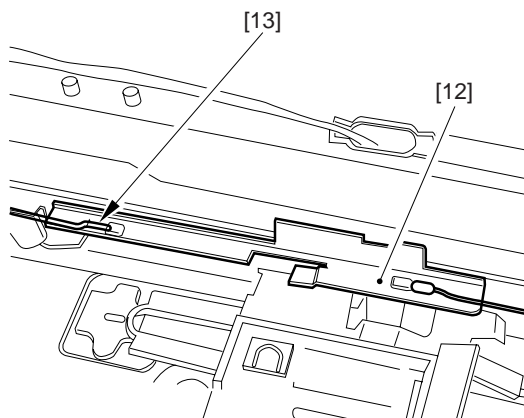


Figure 3-343

2. Routing the Lens Cable

- 1) After routing the lens cable, keep the lever [1] of the No. 4/5 mirror mount disengaged from the cam gear [2] (so that the lever will not come into contact when the cam gear rotates).

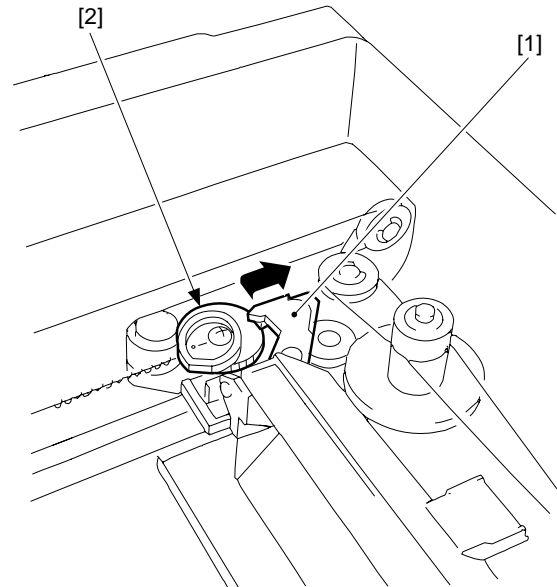


Figure 3-344

- 2) While keeping the condition in step 1), turn on the power; when the No. 1 mirror mount and the lens stopped moving, turn off the power.
 - The lens will move to the Direct position.
- 3) Check to make sure that the tip of the lever [1] of the No. 4/5 mirror mount and the marking [3] on the top face of the cam gear [2] match; then, engage the lever [1] and the cam gear [2].

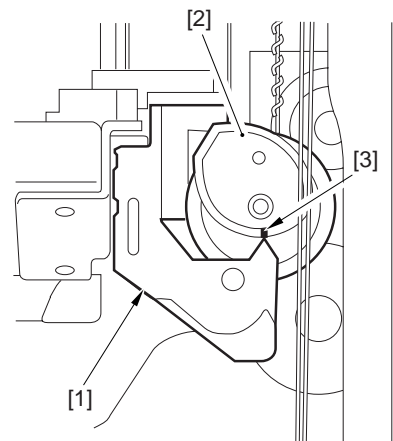


Figure 3-345

- 4) If the tip of the lever [1] and the marking on the cam gear [2] do not match, remove the fixing screw [4] of the cam gear [2] and detach the cam gear; then, mount the cam gear once again so that the marking on it and the tip of the lever match.

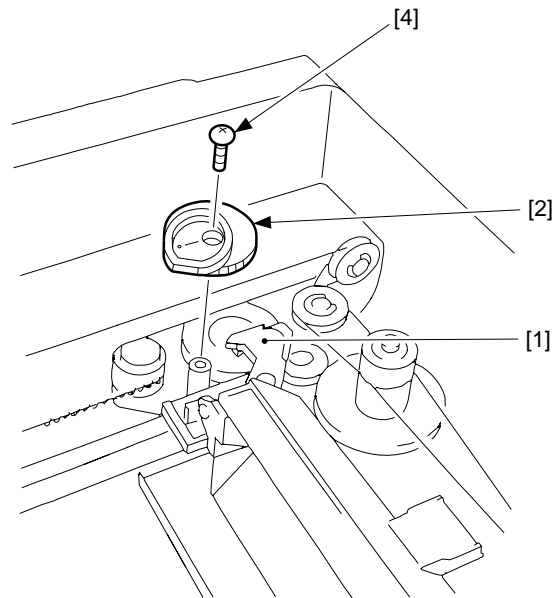


Figure 3-346

C. Exposure System

1. Removing the Scanning Lamp

- 1) Disconnect the power plug.
- 2) Remove the copyboard glass.
(See Chapter 7.III.C.1. "Removing the Copyboard Glass.")
- 3) Holding the middle of the No. 1 mirror mount [1], move the No. 1 mirror mount [1] to the right by about 5 cm.

Caution:
Do not hold the reflecting plate.

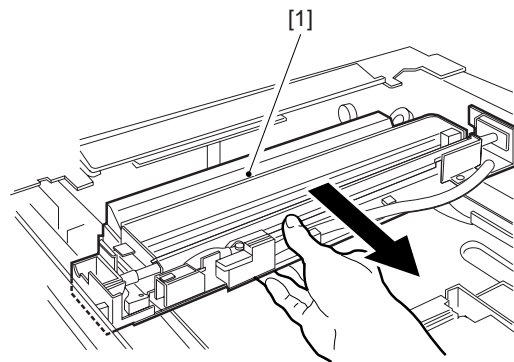


Figure 3-347

- 4) Free the harness [3] from the guide [2]; then, remove the screw [4], and detach the reflecting plate [5].

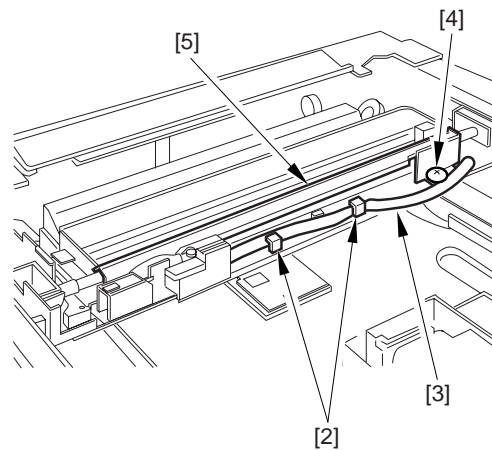


Figure 3-348

- 5) While pushing the electrode mount [6] found at the rear of the machine in the direction of the arrow, detach the scanning lamp [7].

Caution:

1. Do not start the work if the scanning lamp is hot.
2. Do not leave fingerprints on the surface of the scanning lamp.
3. If the surface of the scanning lamp is soiled, dry wipe it.

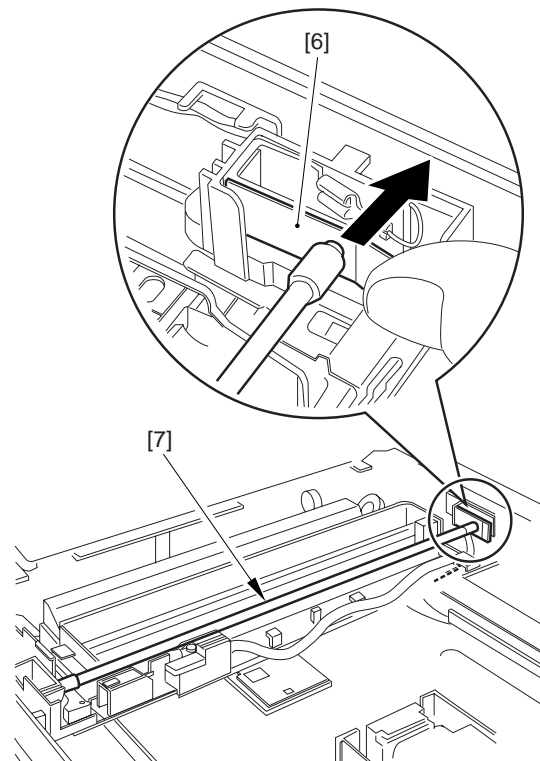


Figure 3-349

2. Points to Note When Mounting the Lamp

When mounting the scanning lamp, be sure that the logo mark (or the name of the manufacturer) is toward the front. Further, be sure that the protrusion near the middle of the lamp is as shown.

Caution:

- Do not touch the lamp portion.
- If you have replaced the scanning lamp, be sure to perform intensity adjustment (p. 11-42) and AE adjustment (p. 11-43).

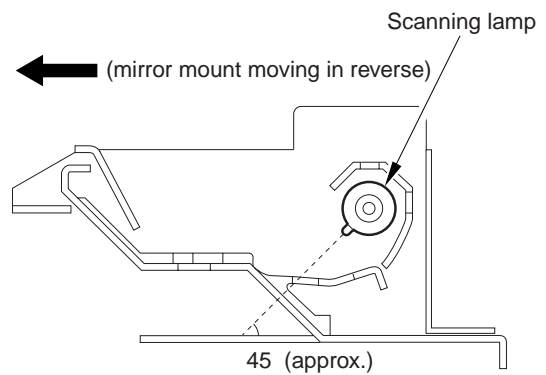
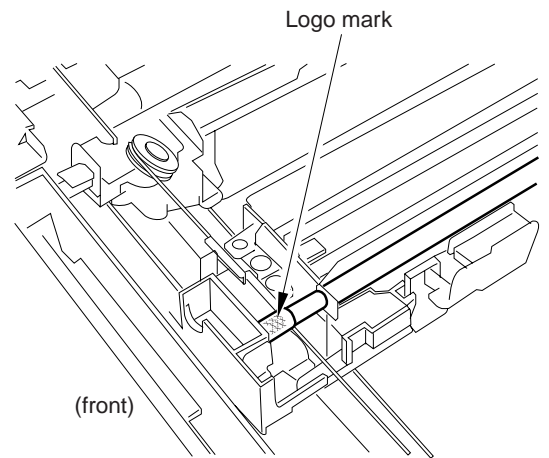


Figure 3-350

3. Removing the Thermal Fuse

- 1) Disconnect the power plug.
- 2) Remove the copyboard glass.
(See Chapter 7.III.C.1.“Removing the Copyboard Glass.”)
- 3) Remove the two screws [1], and detach the thermal fuse [2].

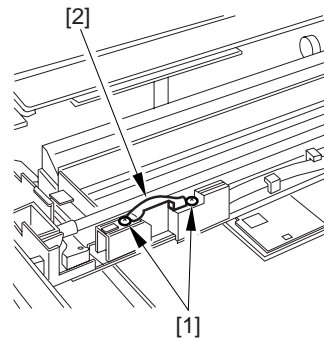


Figure 3-351

4. Points to Note When Mounting the Fuse

When mounting the thermal fuse, be sure that the thermal fuse is oriented as shown.

Make sure that the fuse is in contact with the reflecting plate.

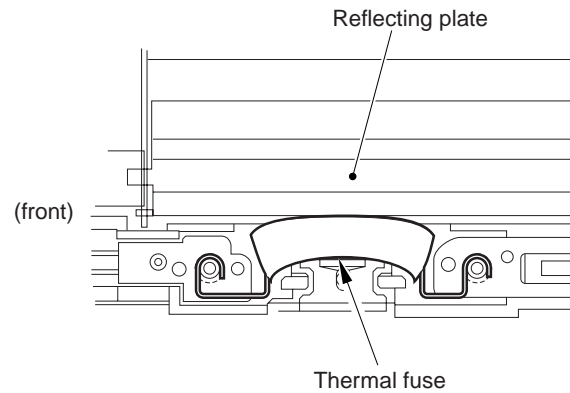


Figure 3-352

5. Removing the Thermistor Unit

- 1) Remove the top cover.
(See Chapter 7.III.A.1. “Removing the Top Cover.”)
- 2) Disconnect the connector (J131) [1] from the DC controller PCB; remove the screw [2], and detach the thermistor unit [3].

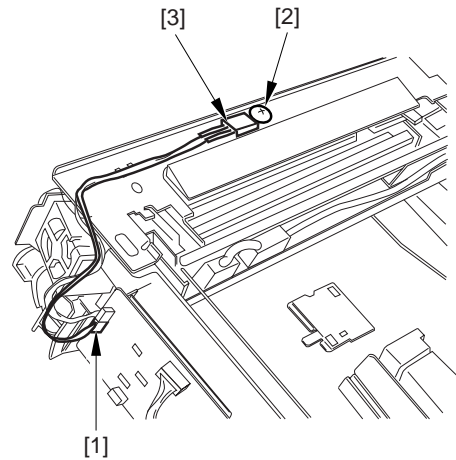


Figure 3-353

CHAPTER 4

IMAGE FORMATION SYSTEM

This chapter discusses the principles of how images are formed. It also explains the timing at which the various units involved in image formation are operated, and shows how they may be disassembled/assembled and adjusted.

| | | | | | |
|----|---|------|-----|-------------------------------|------|
| I. | IMAGE FORMATION SYSTEM ... | 4-1 | F. | Measuring the Density of | |
| A. | Outline | 4-1 | | Originals | 4-16 |
| B. | Timing Chart for the Image | | G. | Controlling the Side Blanking | |
| | Formation System | 4-3 | | Mechanism | 4-21 |
| C. | Controlling the Primary | | II. | DISASSEMBLY/ASSEMBLY | 4-22 |
| | Charging Roller Bias | 4-4 | A. | Cartridge | 4-23 |
| D. | Controlling the Transfer | | B. | Transfer Charging | |
| | Roller Bias | 4-8 | | Assembly | 4-25 |
| E. | Controlling the Developing/ Separation Static Eliminator | | C. | Blank Exposure | 4-26 |
| | Bias | 4-11 | | | |

I. IMAGE FORMATION SYSTEM

A. Outline

The major functions of the image formation system are as follows:

| Item | Description |
|--|---|
| Controlling the primary charging roller bias | AC constant current control, on/off control DC constant voltage control, on/off control DC voltage level control |
| Transfer roller bias control | DC constant voltage control, on/off control DC constant current control (ATVC, cleaning bias) Voltage level control Polarity switching |
| Developing/separation static eliminator bias control | DC constant voltage control, on/off control AC constant voltage control, on/off control DC voltage level control |
| Density control | Developing DC bias control |
| Blanking control | Side blanking lamp |

Table 4-101

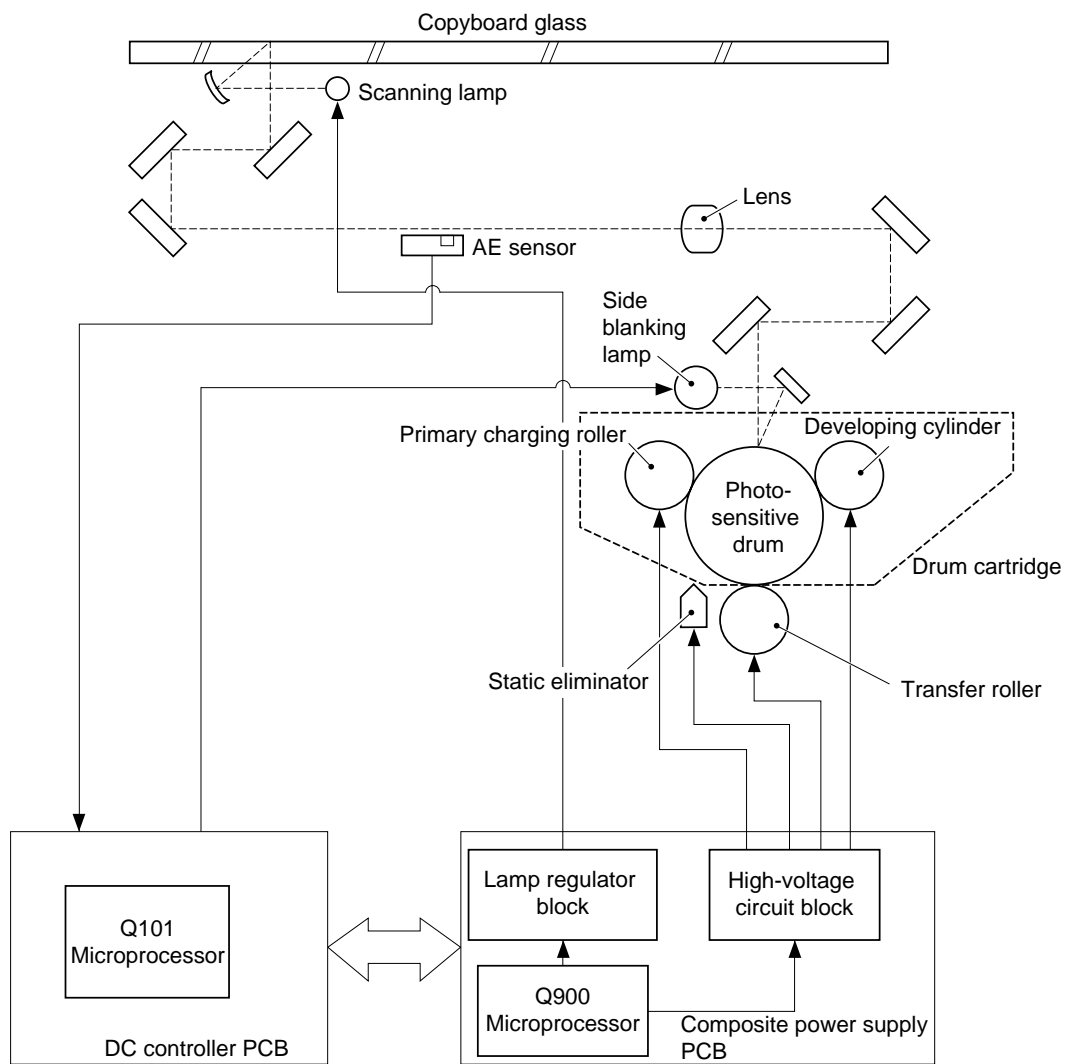


Figure 4-101

B. Timing Chart for the Image Formation System

Basic Sequence of Operations (Direct, 2 copies, continuous)

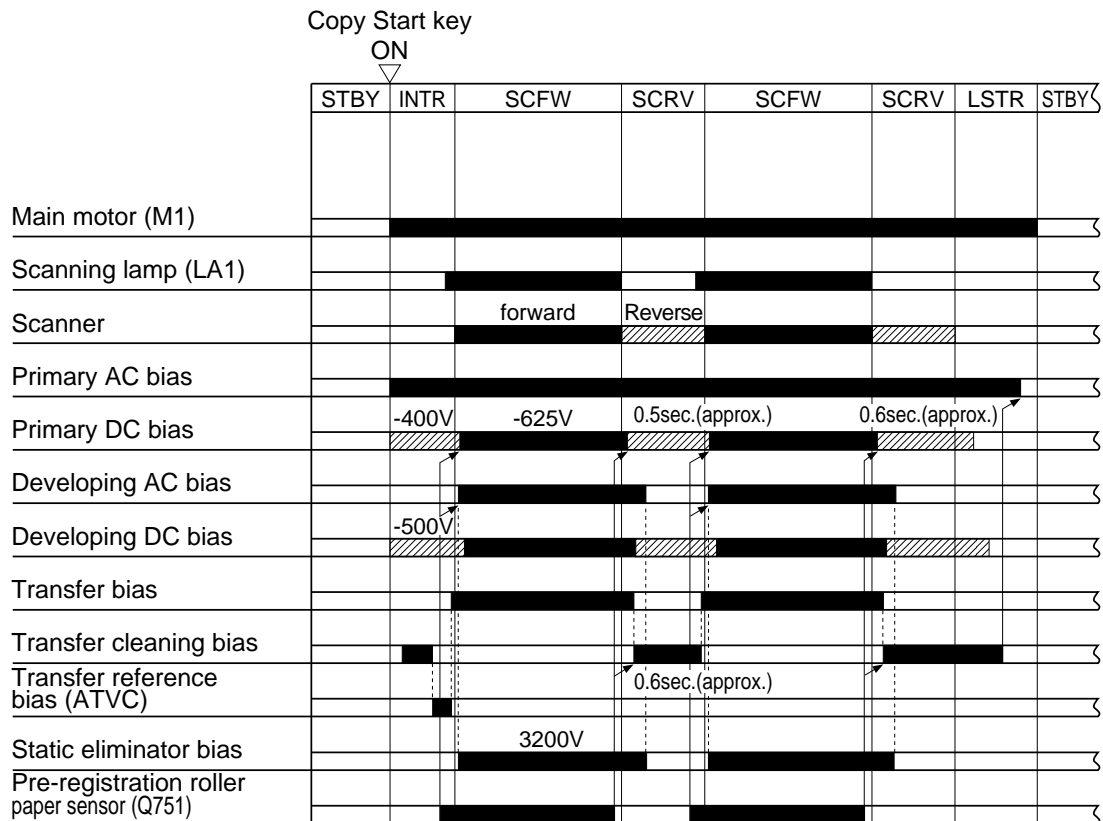


Figure 4-102

C. Controlling the Primary Charging Roller Bias

1. Outline

The circuit shown in Figure 4-103 is used to control the voltage applied to the primary charging roller, and has the following functions:

- Turning on and off the DC/AC bias
- Controlling the DC bias to a specific voltage
- Controlling the AC bias to a specific voltage
- Switching the level of the DC bias

Both DC bias and AC bias are applied to the primary charging roller so as to ensure that the surface potential of the photosensitive drum will be uniform. The level of the DC bias is switched between when forming copy images and when not forming copy images.

Reference:

DC component: -400 V (non-image area)/-625 V (image area)
AC component: 2000 V_{pp} to 3000 V_{pp} (885 μ A)

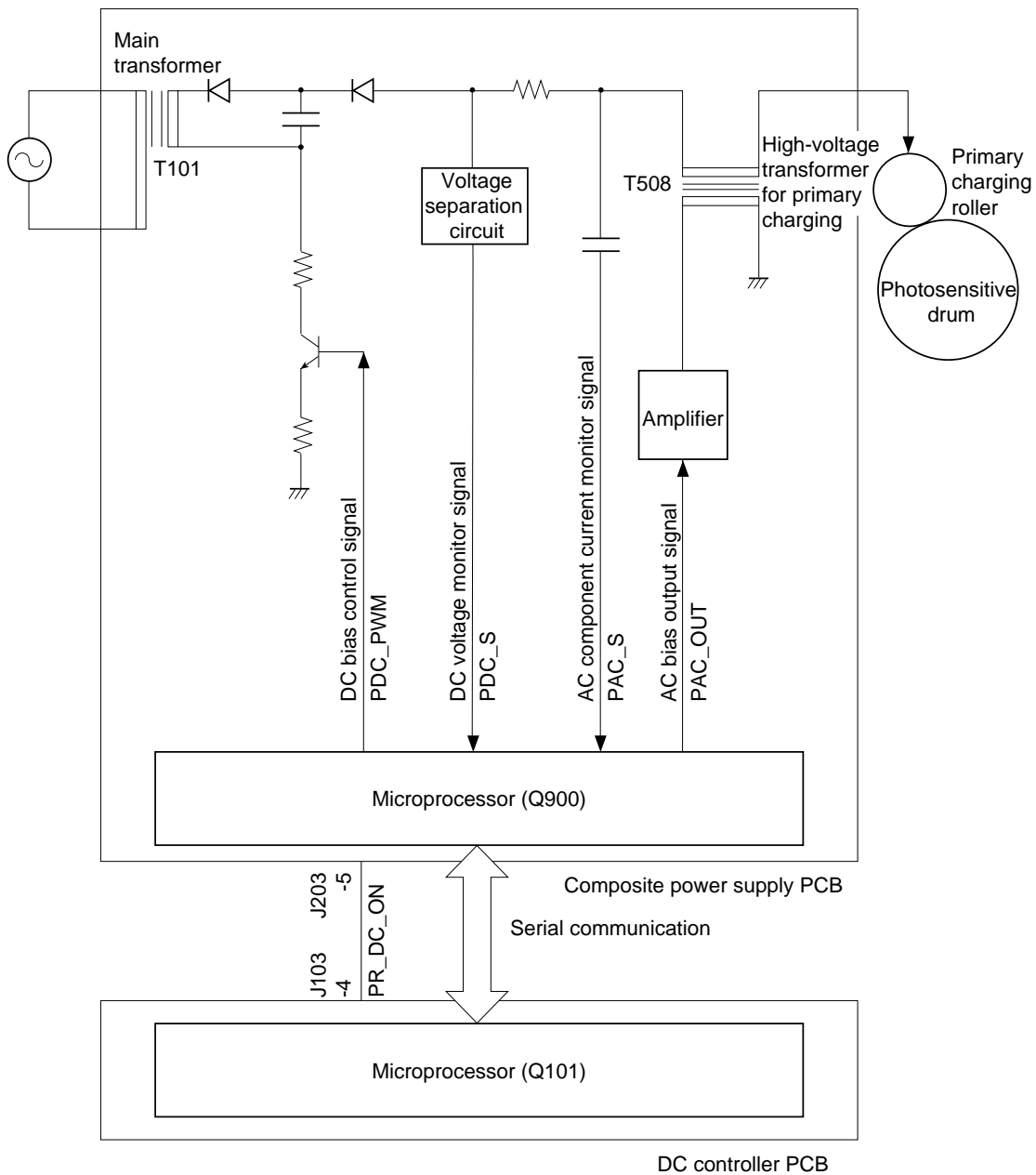


Figure 4-103

2. Operations

a. Turning On and Off the DC Bias

The DC bias applied to the primary charging roller is turned on or off by the serial communication signal and the primary charging bias ON signal (PR_DC_ON) from the DC controller PCB.

When the Copy Start key is pressed, the DC bias ON signal (serial) and the primary charging bias ON signal (PR_DC_ON) are sent. The microprocessor (Q900) on the composite power supply PCB generates the DC bias control signal (PDC_PWM) based on the combination of the serial signal and the PR_DC_ON signal, applying a DC bias to the primary charging roller.

| | DC bias ON signal (8-bit signal communication) | | PR_DC_ON (J103-4) |
|--------------------------------|---|------|----------------------|
| | bit0 | bit1 | |
| DC bias ON (image area) | 1 | – | 0 |
| DC bias ON (non-image area) | 1 | 0 | 1 |
| DC bias OFF | 0 | 0 | 1 |

Table 4-102 Relationship between DC Bias Output and Signal

b. Turning On and Off the AC Bias

The AC bias applied to the primary charging roller is turned on and off by the serial communication signal from the DC controller PCB.

When the AC bias ON signal arrives from the DC controller PCB, the microprocessor (Q900) on the composite power supply PCB generates the AC bias output signal (PAC_OUT), thereby applying an AC bias to the primary charging roller.

c. Controlling the DC/AC Bias to a Specific Voltage/Current

The DC bias and the AC bias applied to the primary charging roller are controlled by the microprocessor (Q900) on the composite power supply PCB so that they remain a specific level.

When a DC/AC bias is generated, the microprocessor (Q900) on the composite power supply PCB detects the DC voltage monitor signal (PDC_S) and the AC component current monitor signal (PAC_S), compares their levels against the reference levels, and varies the DC bias control signal (PDC_PWM) and the AC bias output signal (PAC_OUT) according to the differences so as to ensure that they remain specific levels.

Reference:

The DC bias control signal varies its pulse duty ratio while the AC bias output signal varies its amplitude to change the level of the DC/AC bias.

d. Switching the DC Bias Level

The machine switches the DC bias level between the copy image area (-625 V) and the non-copy image area (-400 V).

The level of the DC bias is switched by the DC bias ON signal (serial signal) generated by the DC controller PCB.

The microprocessor (Q900) on the composite power supply PCB varies the DC bias control signal (PDC_PWM) to switch the level of the DC bias. (See Table 4-102.)

Reference:

The machine applies a DC bias over a non-copy image area (between sheets) so as to prevent charging the photosensitive drum to a positive potential otherwise caused by the cleaning bias from the transfer roller.

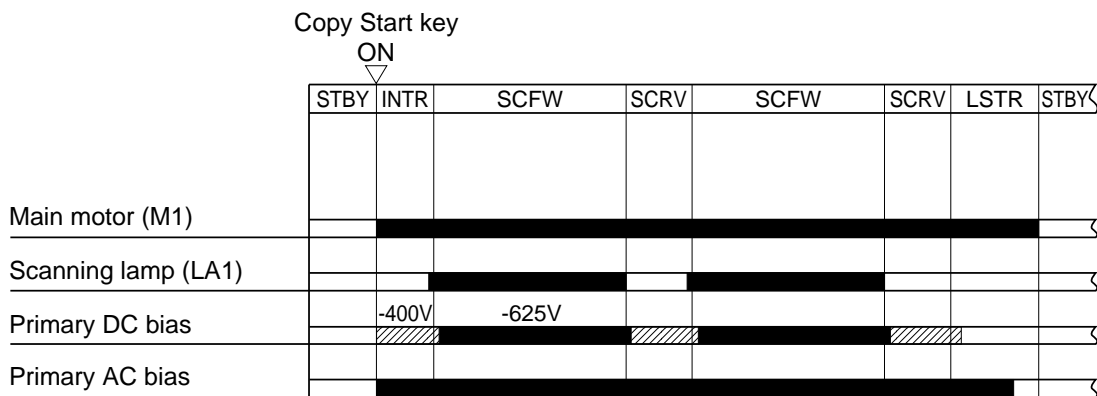


Figure 4-104

D. Controlling the Transfer Roller Bias

1. Outline

The circuit shown in Figure 4-105 is used to control the voltage applied to the transfer charging roller, and has the following functions:

- Turning on and off the transfer bias.
- Controlling the transfer bias to a constant voltage.
- Correcting the transfer bias voltage level (ATVC)
- Switching the transfer bias polarity (cleaning bias)

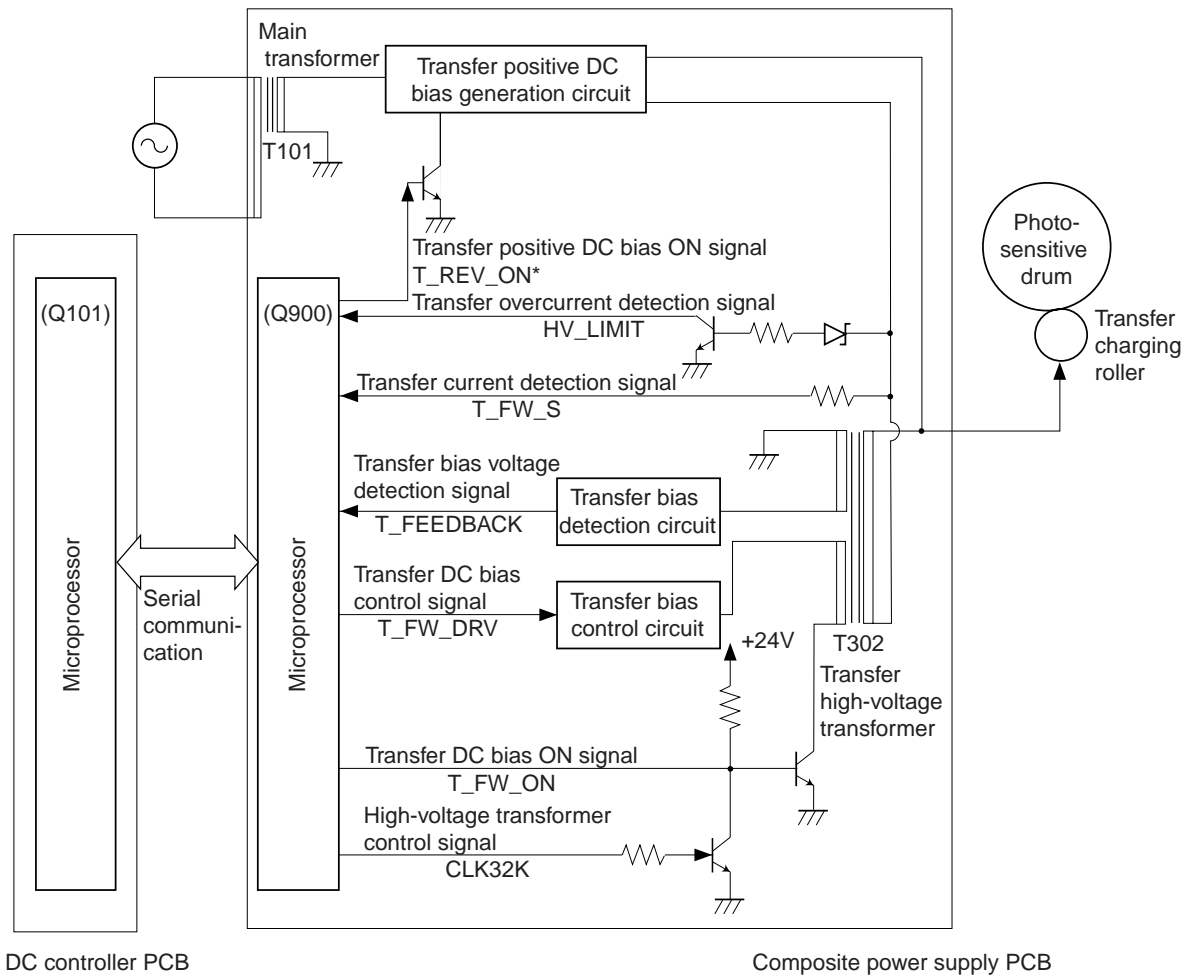


Figure 4-105

2. Operations

a. Turning On and Off the Transfer Bias

The transfer bias applied to the transfer charging roller is turned on and off by the serial communication signal from the DC controller PCB.

When the transfer bias ON signal (serial signal) is generated by the DC controller PCB, the microprocessor (Q900) on the composite power supply PCB generates the high-voltage transformer control signal (CLK32K), transfer DC bias ON signal (T_FW_ON), and transfer DC bias control signal (T_FW_DRV), thereby applying the transfer bias to the transfer charging roller.

| | Transfer bias ON signal (serial communication) | | T-FW_ON signal | T_REV_ON* signal |
|--|---|------|----------------|------------------|
| | bit2 | bit3 | | |
| Negative transfer bias ON | 1 | 0 | 1 | 1 |
| Positive transfer bias ON (cleaning bias) | 1 | 1 | 1 | 0 |
| Transfer bias OFF | 0 | 0 | 0 | 1 |
| ATVC | 0 | 1 | 1 | 1 |

Table 4-103 Relationship between Transfer Bias Output and Signals

b. Controlling the Transfer Bias to a Specific Voltage

The transfer bias applied to the transfer charging roller is controlled to a specific level by the microprocessor (Q900) on the composite power supply PCB.

When a transfer bias is generated, the microprocessor (Q900) on the composite power supply PCB checks the transfer bias voltage detection signal (T_FEEDBACK), compares it against the reference value, and varies the transfer DC bias control signal (T_FW_DRV) according to the difference to ensure that the transfer bias remains a specific level at all times.

Reference:

The level of transfer bias applied to the transfer roller during a copying run is between -7.5 and -3.0 kV.

c. Correcting the Transfer Bias Voltage Level (ATVC control)

The machine automatically corrects the application voltage level of the transfer bias to correct the changes in the transfer efficiency caused by the deterioration of the transfer roller or the changes in the environment.

A current of a specific level (-14.6 μ A) is applied to the transfer charging roller during initial rotation executed each time the Copy Start key is pressed. The microprocessor (Q900) on the composite power supply PCB checks the transfer current detection signal (T_FW_S), and varies the transfer bias applied to the transfer charging roller so that it will be an appropriate level.

Reference:

While the transfer charging roller makes a single rotation, the microprocessor (Q900) checks the transfer current detection signal four times, and determines the level of the transfer bias to apply using the average of the readings.

d. Switching the Polarity of the Transfer Bias (cleaning bias)

The machine uses a direct charging method, allowing toner to move from the photosensitive drum to the transfer roller as when a jam occurs if left unattended.

To remove excess toner, a positive voltage is applied to the transfer roller as follows, thereby returning the toner from the roller to the drum:

< Timing >

- While initial rotation is executed after the Copy Start key is pressed
- Part of the period in which the scanner is moved in reverse
- Part of the period in which last rotation is executed

The polarity of the transfer bias is switched by the transfer bias ON signal (serial signal) generated by the DC controller PCB.

In response to the signal, the microprocessor (Q900) on the composite power supply PCB causes the transfer positive DC bias On signal (T_REV_ON*) to go '0', so that the positive component of the transfer bias (constant current control, + 1.56 μ A/2.5 kV max.) will be applied to the transfer roller. (See Table 4-103.)

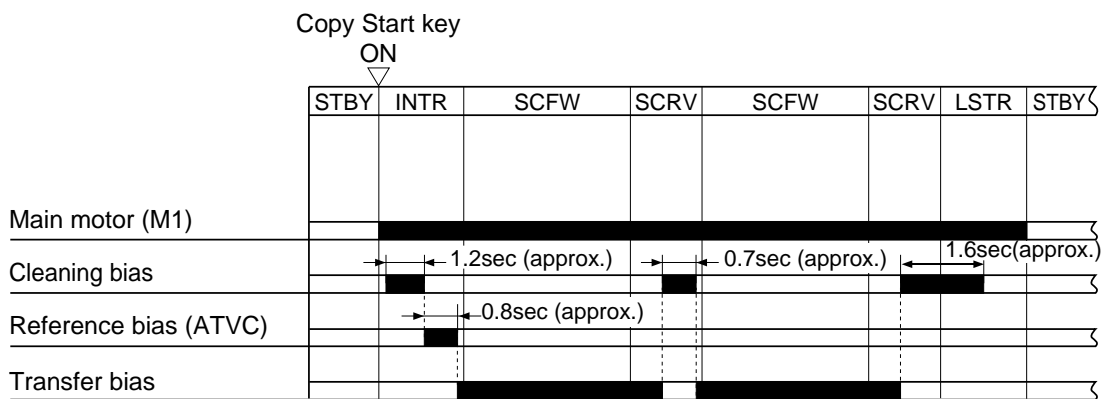


Figure 4-106

E. Controlling the Developing/Separation Static Eliminator Bias

1. Outline

The circuit shown in Figure 4-107 is used to control the voltage applied to the developing assembly and the separation static eliminator, and has the following functions:

- Turning on and off the developing DC bias
- Turning on and off the AC bias (turning on and off the static eliminator bias)
- Controlling the voltage level of the developing DC bias

Both AC bias and DC bias are applied to the developing cylinder while copies are being made. When the photosensitive drum rotates and yet developing is not under way, about -500 VDC is applied to the developing cylinder regardless of the position of the density adjusting lever, thereby preventing adhesion of excess toner on the photosensitive drum.

Reference :

Developing DC bias : -80 ~ -550V

Developing AC bias : 1200Vpp \pm 10%

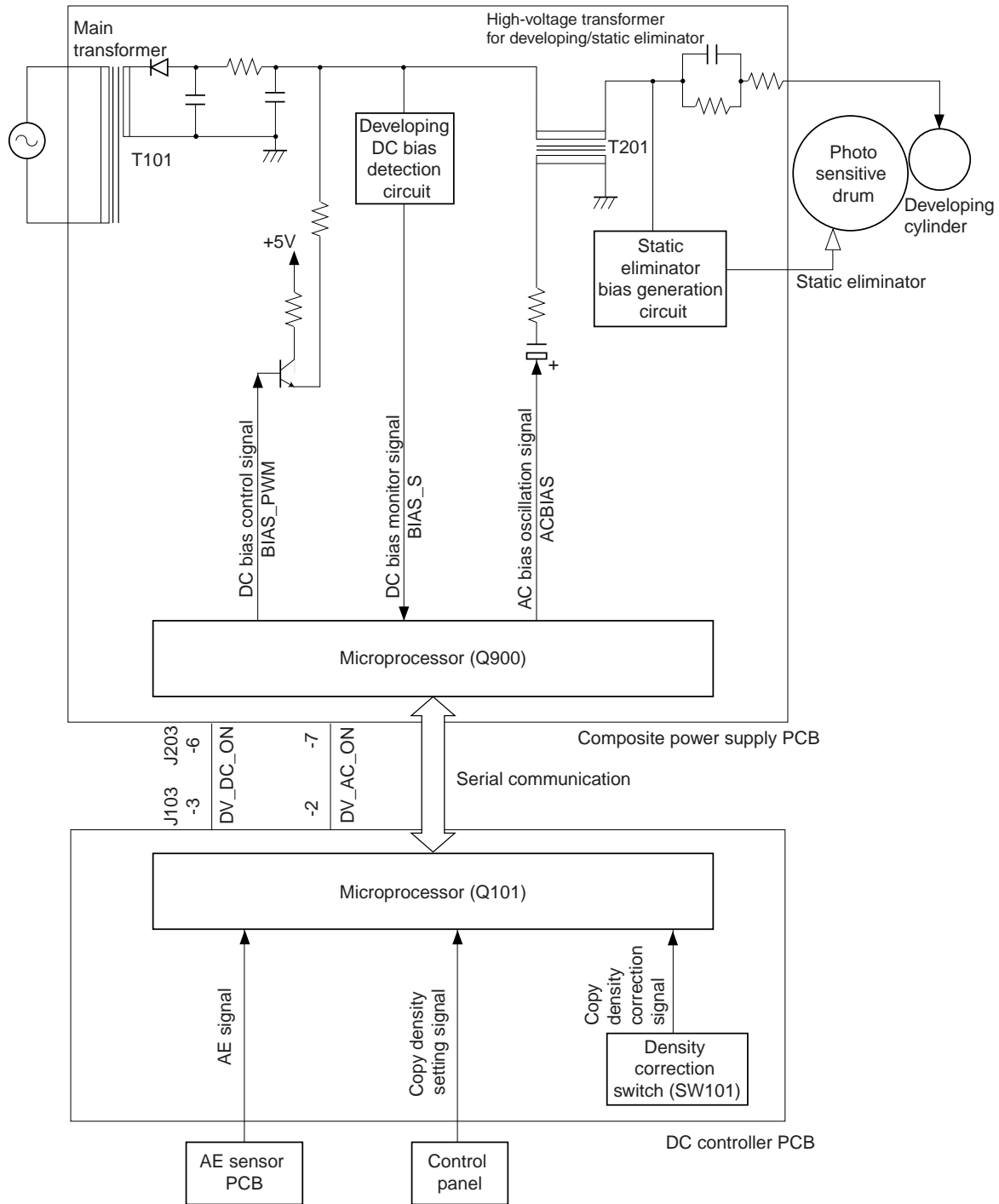


Figure 4-107

2. Turning On and Off the DC Bias

The DC bias applied to the developing cylinder is turned on and off by the signal communication signal and the developing DC bias ON signal (DV_DC_ON) generated by the DC controller PCB.

When the developing DCON signal (serial signal) and the developing DC bias ON signal (DV_DC_ON) are generated by the DC controller PCB, the microprocessor (Q900) on the composite power supply PCB sends the DC bias control signal (BIAS_PWM), thereby applying a DC bias to the developing cylinder.

| | Developing DCON signal (Serial communication) | | DV_DC_ON (J103-3) |
|------------------------|--|------|----------------------|
| | bit5 | bit6 | |
| DC bias ON | – | 1 | 0 |
| DC bias ON (- 500V) | 0 | 1 | 1 |
| DC bias OFF | 0 | 0 | 1 |

Table 4-104 Relationship between Developing DC Bias and Signals

3. Turning On and Off the AC Bias

The AC bias is turned on and off by the developing AC bias ON signal (DV_AC_ON) generated by the DC controller PCB.

The DC controller PCB sends the developing AC bias ON signal (DV_AC_ON) to the composite power supply PCB a specific period of time after copy paper has moved past the registration sensor. The microprocessor (Q900) on the composite power supply PCB generates the AC bias oscillation signal (ACBIAS) so that an AC bias is applied to the developing cylinder.

The AC bias is modified/rectified and then supplied to the static eliminator (static eliminator bias, about 3.2 kV).

4. Controlling the Voltage Level of the Developing DC Bias

The DC bias control signal (BIAS_PWM) is varied according to the following settings to change the DC component of the developing bias so as to control the copy density:

- Setting of the density adjusting lever (in manual adjustment mode)
- Output of the AE sensor (in automatic control mode)
- Setting of copy mode (toner save mode, photo mode)
- Setting of the density correction switch (SW101)

The density correction switch (SW101) mounted on the DC controller PCB may be set to any of three levels, enabling correction of foggy images or light images caused as by a change in the sensitivity of the photosensitive drum.

The density correction switch (SW101) affects both manual density adjustment and auto density adjustment (AE).

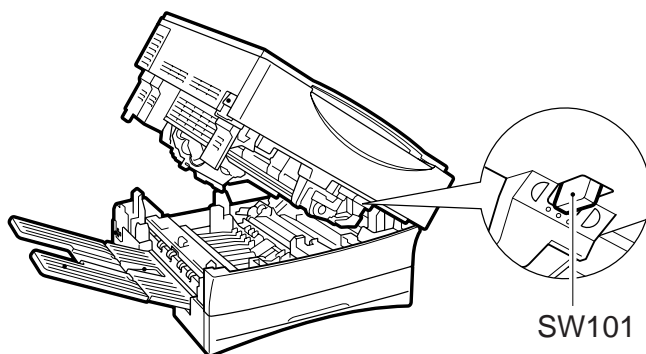


Figure 4-108

If the machine is not equipped with a density correction switch (SW101), the image density changes in AE mode according to how the density adjusting lever is set.

The machine corrects the level of the developing DC bias and the voltage supplied to the scanning lamp as follows in reference to the setting used for normal copying when toner save mode or photo mode is selected.

| | Toner save mode | Photo mode |
|---------------------------------------|-----------------|----------------|
| Developing DC bias | -75V | +15V |
| Voltage supplied to the scanning lamp | -2V*1 -3V*2 | -2V*1 -3V*2 |

*1: 120 V model

*2: 220 / 240 V model

Table 4-105 Relationship between Copying Mode and Voltage Correction Level

Figures 4-109 through -112 show the changes in the DC bias occurring as a result of changes in the output of the AE sensor during auto density correction and how the density adjusting lever is set during manual density adjustment.

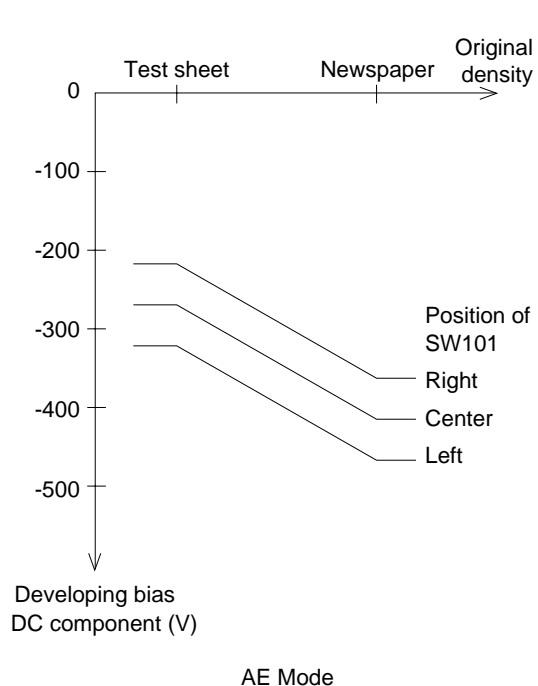


Figure 4-109 (SW101)

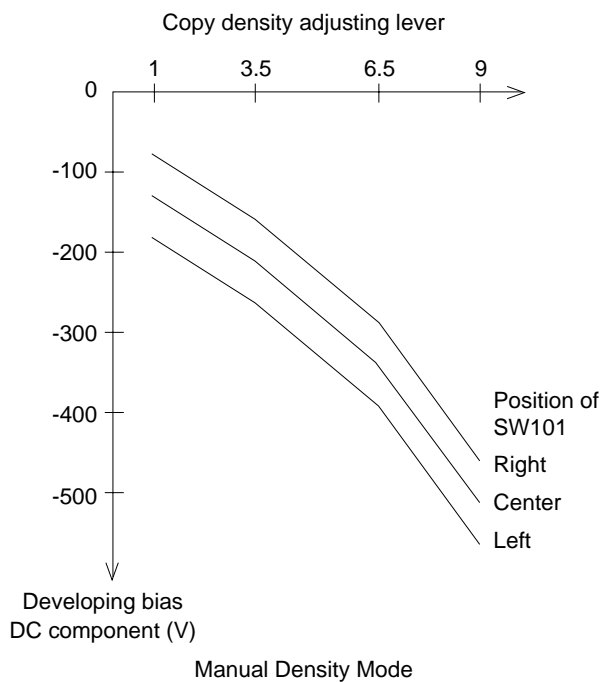


Figure 4-110 (SW101)

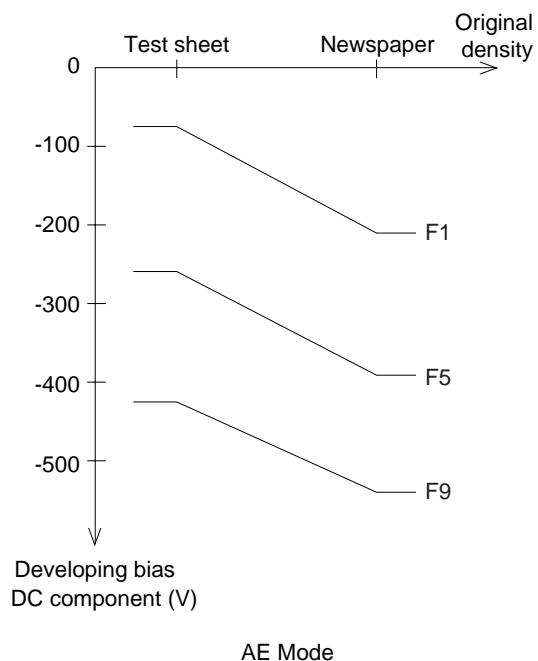


Figure 4-111 (Non-SW101)

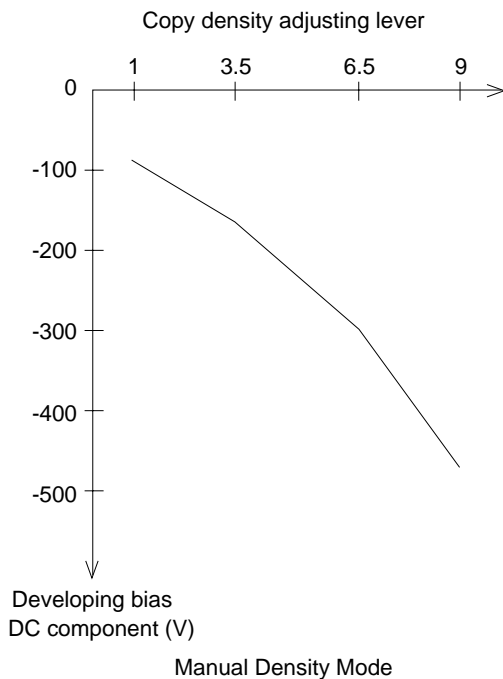


Figure 4-112 (Non-SW101)

F. Measuring the Density of Originals

1. Outline

The machine is equipped with an auto density adjustment (AE) mechanism designed to control the DC component of the developing bias.

The AE mechanism enables production of copies free of fogging as long as the original is more or less uniform in density by varying the DC component of the developing bias according to the density of the original.

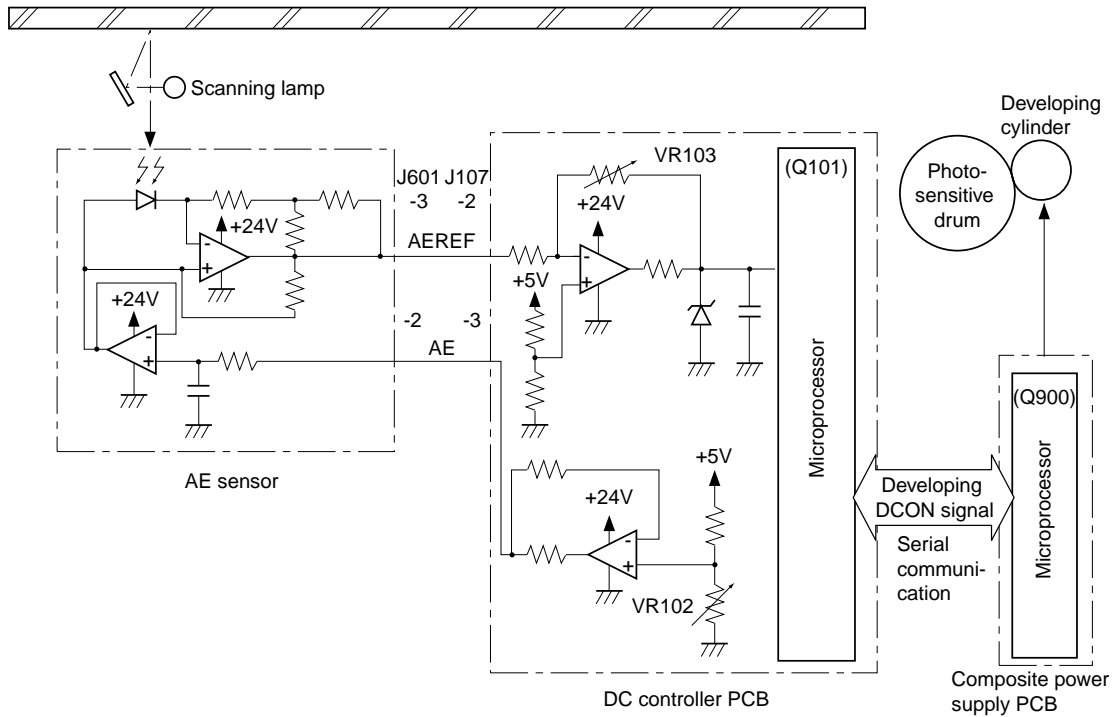


Figure 4-113

2. Operations

When measuring the density of an original, the scanner turns on the scanning lamp, and moves to a point 115 mm from the home position. At this time, the AE sensor reads the level of light reflected by the area shown in Figure 4-112, and sends the AE signal (AE) to the DC controller PCB.

In response, the DC controller PCB sends the developing DCON signal (serial communication) to the composite power supply PCB according to the level of the AE signal. The microprocessor (Q900) on the composite power supply PCB controls the level of the DC bias applied to the developing cylinder based on the level of this signal.

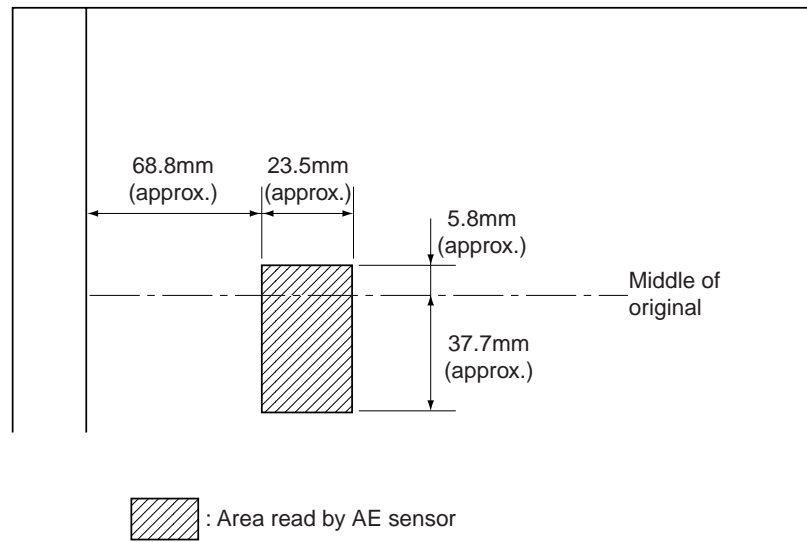


Figure 4-114

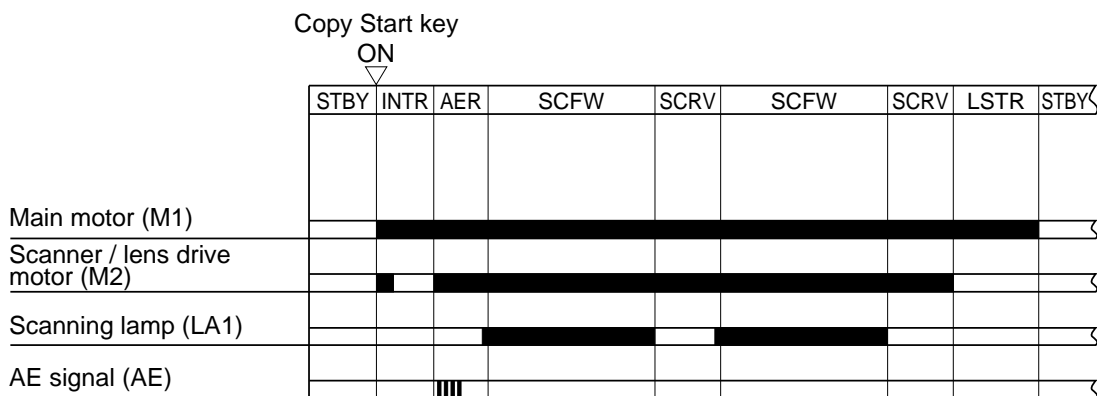


Figure 4-115

3. AE Adjustment (VR102, VR103)

If you have replaced the scanning lamp or the AE sensor PCB, make adjustments as follows:

Operating Procedure

Before Starting the Work

- Obtain a newspaper showing more or less even print. (Do not use one with many photos or large headings.)
- Obtain five sheets of white sheets of paper.
- Check to make sure that the intensity of the scanning lamp has been adjusted when you have replaced the scanning lamp.
- Set the density correction switch (SW101) to the middle setting. If the machine is not equipped with a density correction switch, set the density adjusting lever to the middle setting.

- 1) Short JP103 and JP104 on the DC controller PCB with a screwdriver or the like.

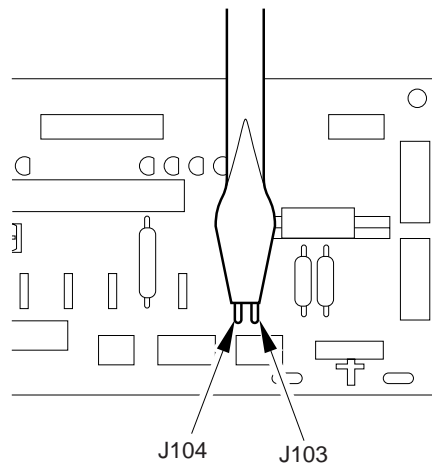


Figure 4-116

- 2) While keeping the condition in step 1), turn on the power switch.
 - The scanning lamp will turn on, and the main motor (M1) will rotate.
- 3) Stop shorting JP103 and JP104.
- 4) Turn VR103 on the DC controller PCB fully clockwise.

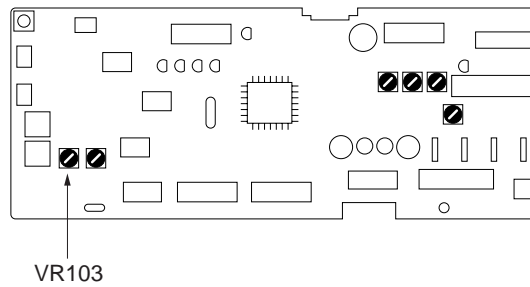


Figure 4-117

- 5) Place a newspaper on the copyboard, and close the copyboard cover.
- 6) Turn VR102 so that the reading in the indicator is from 'A3' to 'Ad'.

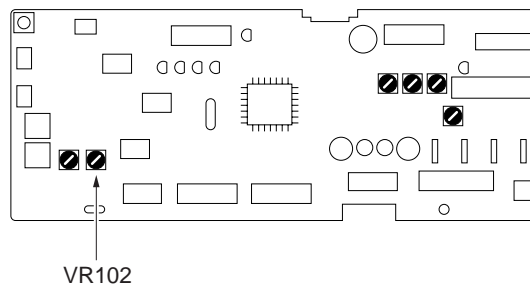


Figure 4-118

- 7) Remove the newspaper from the copyboard; in its place, place five blank sheets of copy paper, and close the copyboard cover.
- 8) Turn VR103 on the DC controller PCB so that the reading of the indicator is from '52' to '5c'.

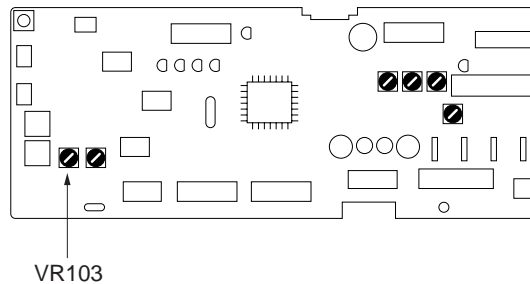


Figure 4-119

- 9) Repeat steps 5) through 8) so that the values of both VR102 and VR103 are target values.

Caution:

If you cannot set VR102 and VR103 to the target values at the same time, turn VR103 fully counterclockwise, and go back to step 5) and make adjustments once again.

- 10) Make a copy, and check to make sure that it is free of fogging and the density of its characters is good.
 - If it is foggy or the characters are too light, go back to step 1) and start over.
 - If no change is noted after re-adjustment, use the density correcting switch (SW101).

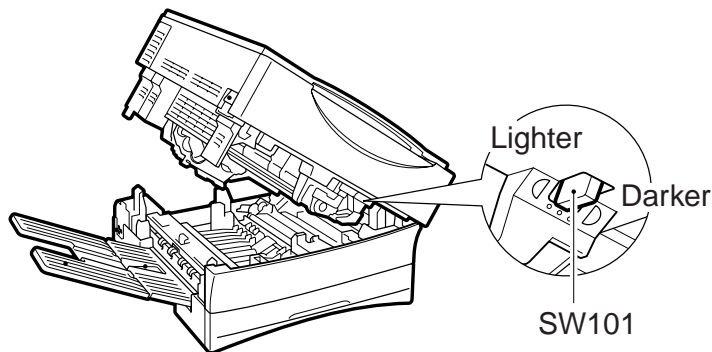


Figure 4-120

G. Controlling the Side Blanking Mechanism

1. Outline

The machine is equipped with a side blanking lamp at the front and the rear used to prevent adhesion of excess toner when making reduced copies.

2. Operations

To blank out the non-image area in reduce mode, the side blanking lamp is moved in relation to the distance over which the lens moves as detected by the lens shift detecting shaft.

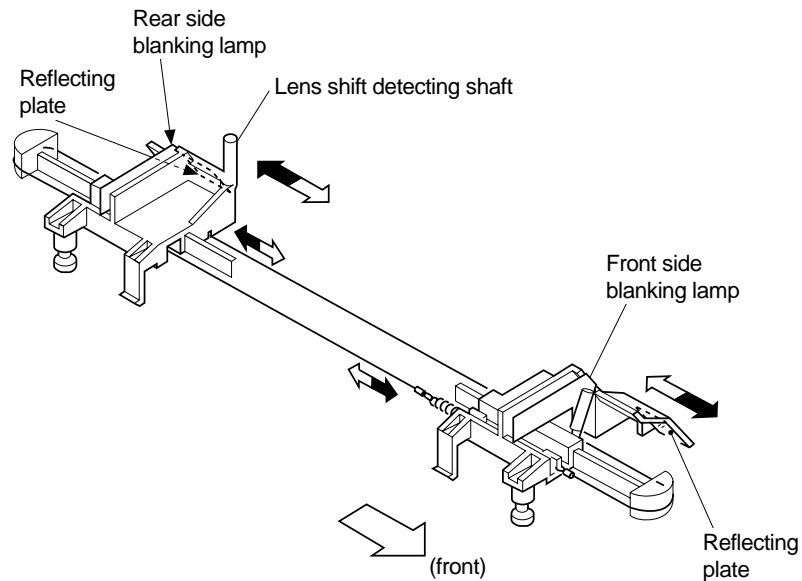


Figure 4-121



A: Position of the side blanking lamp in Direct and Reduce mode
 B: Position of the side blanking lamp in Reduce mode

Figure 4-122

II. DISASSEMBLY/ASSEMBLY

As needed, disassemble/assemble the machine with the following in mind:

1. **▲** Before starting the work, turn off the power switch and disconnect the power plug for safety.
2. Unless otherwise instructed, assemble the parts by reversing the steps used to disassemble it.
3. Identify the screws by type (length, diameter) and location.
4. Use the washers where necessary. (The screws used to mount the grounding wire and Varistors come with a washer to ensure electrical continuity.)
5. As necessary, cut the harnessband.
6. As a rule, do not operate the machine with any of its part removed.
7. A few of the screws used are special screws (with wider thread intervals). Do not use any screws indiscriminately.

A. Cartridge

1. Outline

The machine's photosensitive drum, primary charging roller, developing assembly, and cleaner are housed in a single container referred to as a "cartridge." (You cannot disassemble the cartridge.)

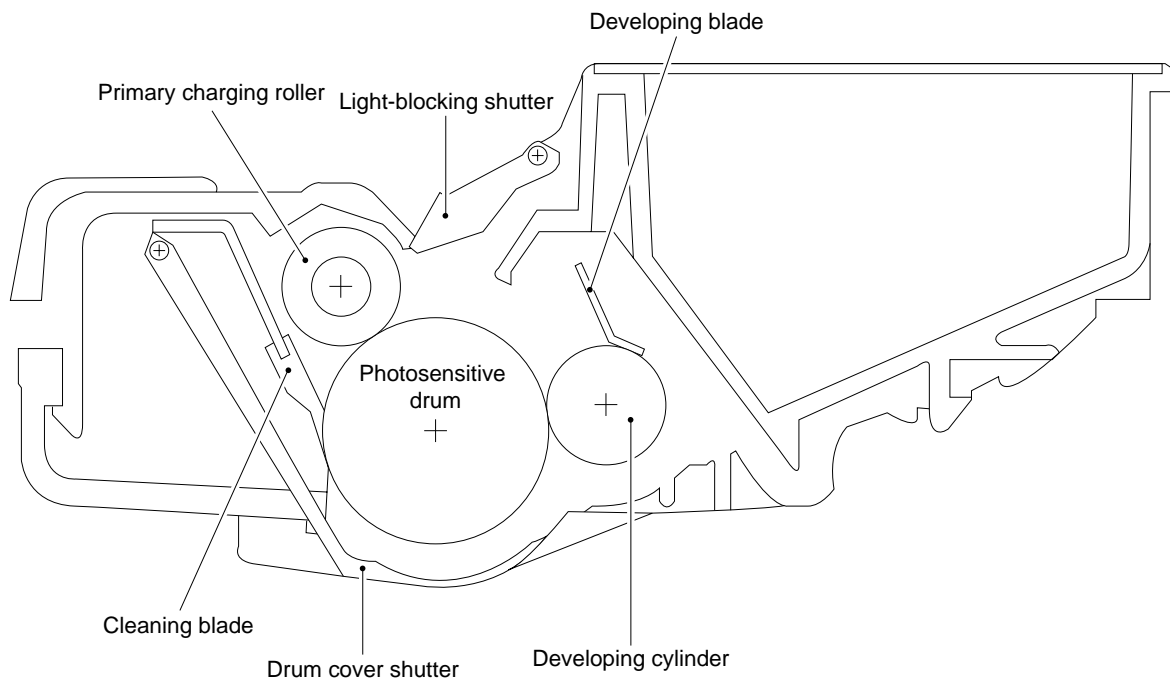


Figure 4-201

a. Drum Cover Shutter

If exposed to strong light for a long time, the photosensitive drum can develop photo memory, which can cause white spots or black bands on copies.

To prevent photo memory, the machine is equipped with a drum cover shutter. Do not open the shutter unless absolutely necessary. It is designed to open when the cartridge is fit into the machine and the machine's top unit is closed.

b. Light-Blocking Shutter

When the cartridge is removed from the machine, light makes its way through the opening used to expose images. As in the case of the drum cover shutter, the light-blocking shutter is provided to protect the photosensitive drum from light.

2. Cleaning the Drum

Caution:

As a rule, do not touch or clean the photosensitive drum.

- 1) Open the machine's top unit, and take out the cartridge.
- 2) Turn over the cartridge, and open the drum cover shutter
- 3) Clean the drum surface with a flannel cloth coated with toner.

Caution:

1. If you need to rotate the drum, be sure to rotate it in the direction in which it rotates when making copies. Otherwise, the leaf spring used to apply a developing bias to the developing cylinder will develop poor contact.
2. If you must clean it, use a flannel cloth. Do not use paper, lint-free or otherwise.
3. If exposed to light for an appreciable time, the images will be affected. Be sure to work briskly.

Reference:

If the photosensitive drum is exposed to light of 1500 lux (ordinary lighting) for 5 min and then is left alone for 5 min in a dark place, it will recover to a level at which it will cause no practical problem.

However, avoid exposing it to direct sunlight. The rays of the sun are usually about 10000 to 30000 lux.

B. Transfer Charging Assembly

1. Removing the Transfer Charging Roller

- 1) Open the machine's top unit.
- 2) Remove the screw [1].
- 3) While freeing the claw [2] of the bushing, detach the transfer charging roller [3].

Caution:

Do not touch the surface of the roller. Be sure the surface is free of dirt.

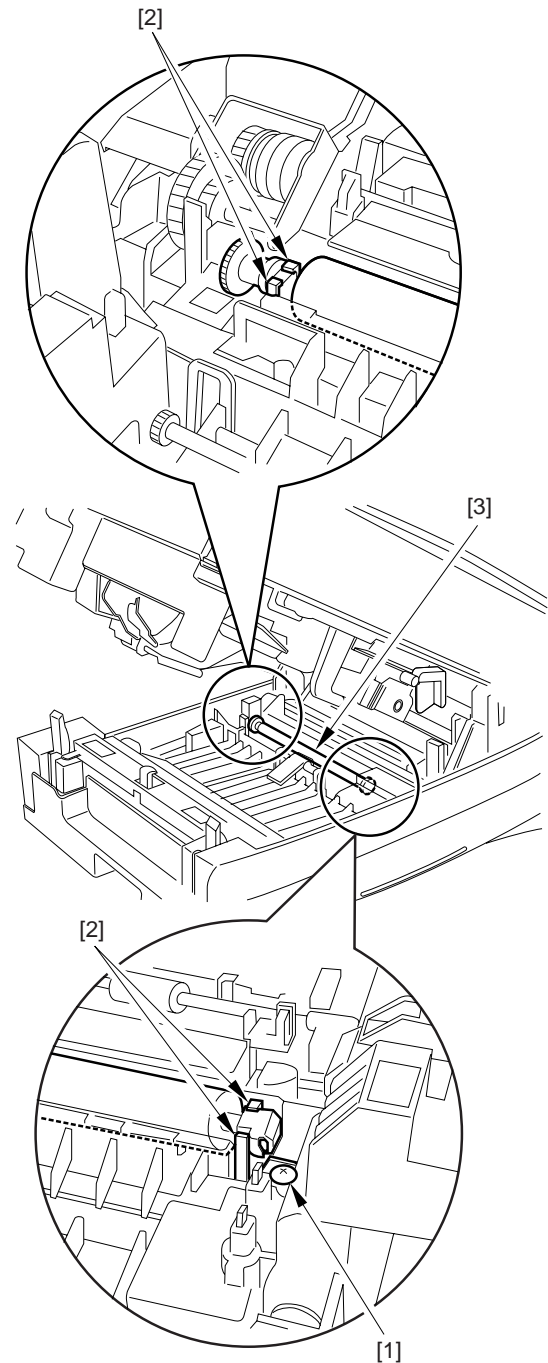


Figure 4-202

C. Blank Exposure

1. Removing the Blanking Exposure Unit

- 1) Set the machine to the maximum ratio (141%) as follows:
 - Turn on the power, and select a default ratio of 141%.
 - Press the Copy Start key.
 - When the lens has moved to the farthest left, turn off the power.
 - Disconnect the power plug.
- 2) Remove the front lower cover.
(See Chapter 7.III.A.2. "Removing the Front Lower Cover.")
- 3) Remove the cartridge.
- 4) Remove the DC controller PCB.
(See Chapter 7.III.E.1. "Removing the DC controller PCB.")
- 5) Remove the composite power supply PCB.
(See Chapter 7.III.E.2. "Removing the Composite Power Supply PCB.")
- 6) Remove the two screws [1].

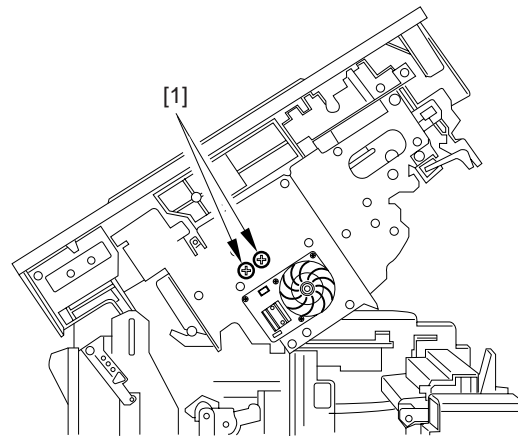


Figure 4-203

- 7) Open the machine's top unit farther, and hold it in place using the handle of a screwdriver (about 30 mm in diameter).

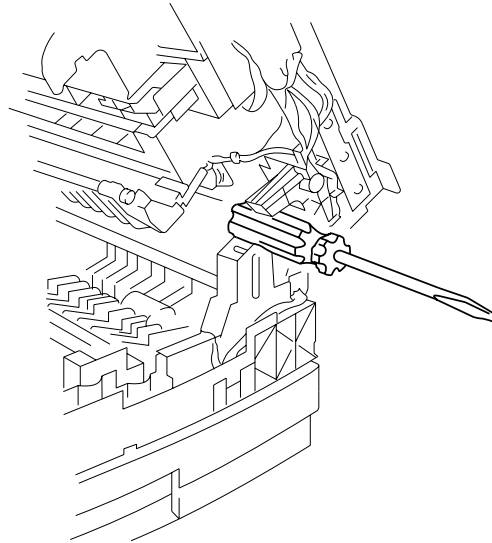


Figure 4-204

- 8) Remove the four screws [3], and disconnect the connector [4]; then, detach the blanking exposure unit. [5].

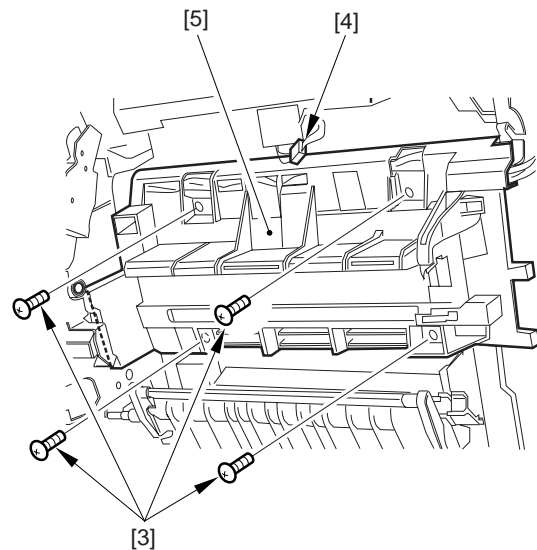


Figure 4-205

Caution:

When mounting the blanking exposure unit, check to make sure that the blanking exposure unit PCBs are at the extreme ends and that the lens is positioned at the farthest left (141% position).

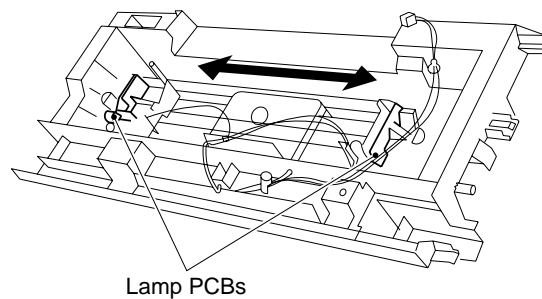


Figure 4-206

CHAPTER 5

PICK-UP/FEEDING SYSTEM

This chapter explains the principles used from when copy paper is picked up to when a copy is delivered in view of the functions of electrical and mechanical units and in relation to their timing of operation. It also shows how these units may be disassembled/assembled and adjusted.

| | | | |
|---|------|--|------|
| I. PICKUP/FEEDING SYSTEM..... | 5-1 | A. Pickup Assembly | 5-19 |
| A. Outline | 5-1 | B. Multifeeder Assembly | 5-28 |
| B. Controlling the Pickup Roller | 5-3 | C. Single-feeder Assembly | 5-31 |
| C. Controlling the Movement of Paper | 5-9 | D. Feeding Assembly | 5-33 |
| D. Detecting Jams | 5-12 | E. Registration Roller Assembly | 5-34 |
| II. DISASSEMBLY/ASSEMBLY | 5-18 | F. Delivery Assembly | 5-36 |

I. PICKUP/FEEDING SYSTEM

A. Outline

The machine moves paper using a center reference method, in which paper is moved in the middle of the pickup/feeding path, and is equipped with a cassette, multifeeder, and single-feeder as the source of paper.

From the cassette, multifeeder, or single-feeder, copy paper is picked up and is controlled by the registration roller so that its leading edge will match the leading edge of the image on the photosensitive drum; it is then moved through the transfer, separation, feeding, and fixing assemblies to reach the copy tray.

The machine is equipped with four sensors used to monitor the movement of copy paper.

| Notation | Name | Remarks |
|----------|--------------------------------------|--------------------------|
| PS3 | Delivery sensor | |
| PS4 | Vertical path roller paper sensor | |
| PS5 | Single-feeder paper sensor | Single-feeder model only |
| Q751 | Pre-registration roller paper sensor | |

Table 5-101

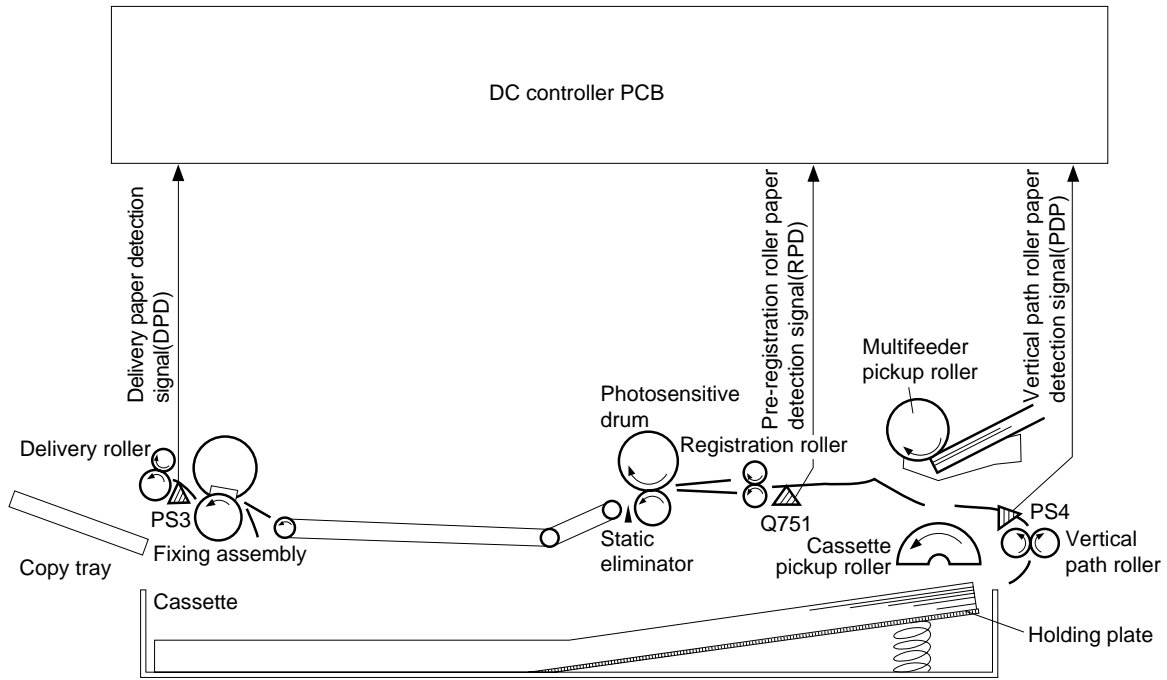


Figure 5-101 (Multifeder type)

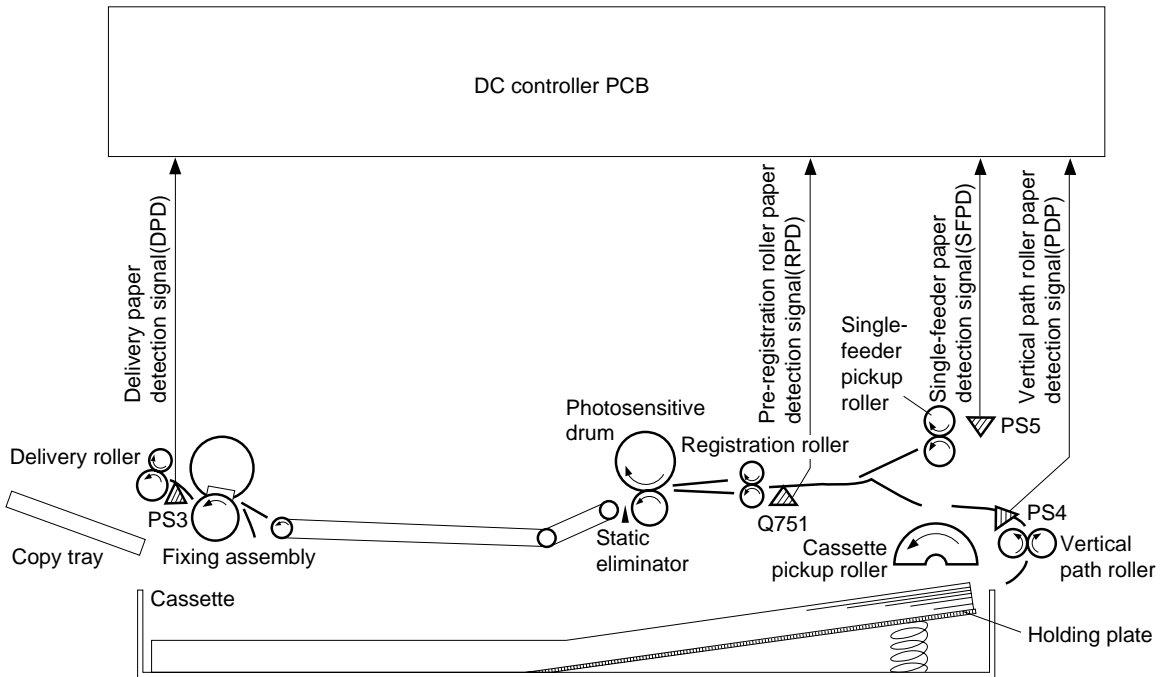


Figure 5-102 (Single-feeder type)

B. Controlling the Pickup Roller

1. Outline

The machine has three types of pickup rollers, i.e., cassette pickup roller, multifeeper pickup roller, and single-feeder pickup roller, and each of these rollers are operated by the drive of the main motor switched by means of a gear unit. (In other words, only one roller is driven at any one time.)

2. Controlling the Cassette Pickup Roller

The cassette pickup roller is controlled by a spring clutch, control ring, pickup clutch solenoid (SL1), and cassette pickup solenoid (SL5).

When the pickup clutch solenoid turns on, the claw moves away from the control ring, allowing the drive to move to the pickup gear assembly through the spring clutch. Then, when the cassette pickup solenoid turns on, the drive reaches the cassette pickup roller.

When the cassette pickup roller starts to rotate, copy paper is picked up from the cassette and is sent as far as the registration roller by way of the vertical path roller. The registration roller controls paper so that its leading edge will match the leading edge of the image on the photosensitive drum.

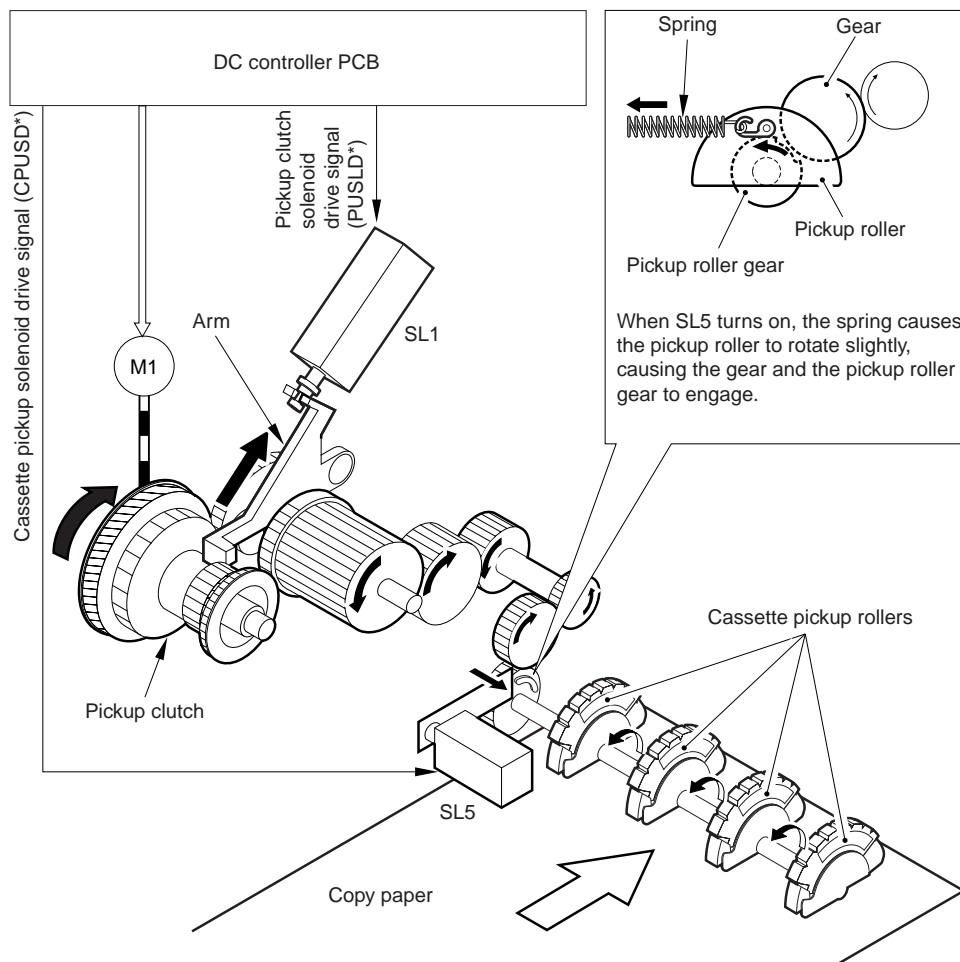


Figure 5-103 (Multifeeder type)

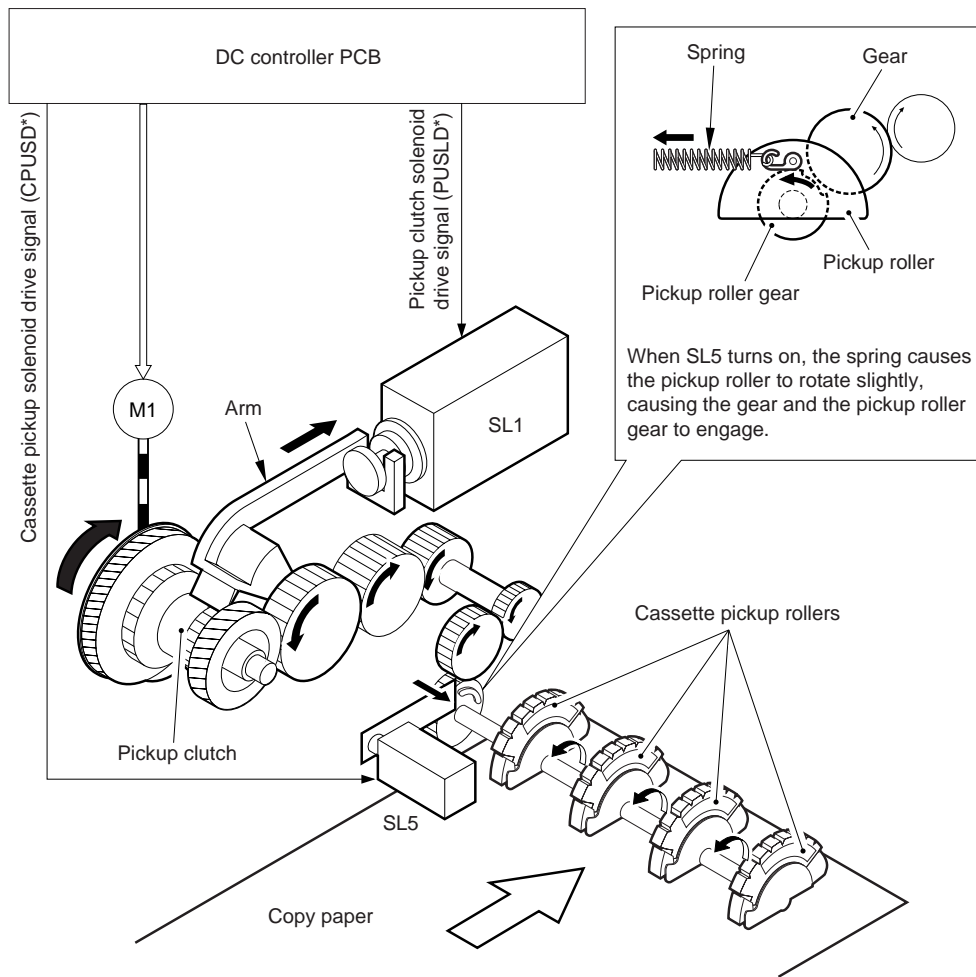
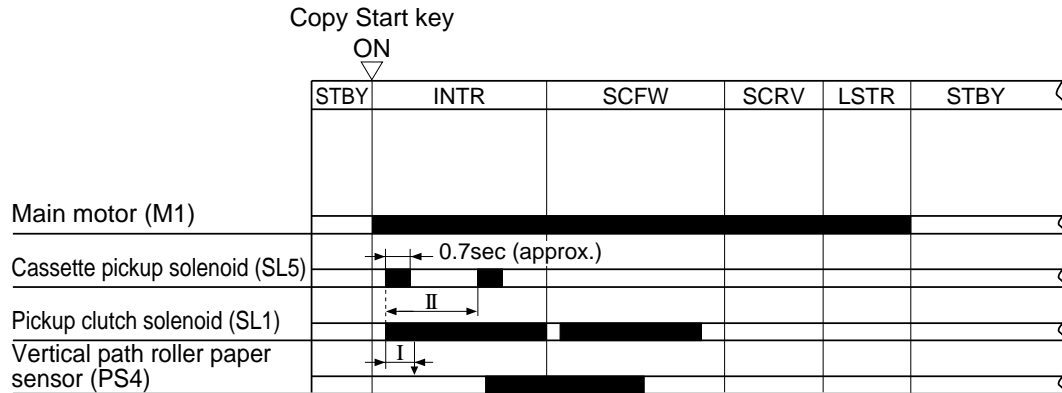


Figure 5-104 (Single-feeder type)

3. Re-Pickup (cassette pickup)

If the vertical path roller paper sensor (PS4) does not detect copy paper within a specific period of time after the cassette pickup roller has started to rotate, the pickup roller is rotated once again to execute pickup operation, thereby ensuring correct pickup (as for recycled paper).

If the vertical path roller paper sensor does not detect copy paper after re-pickup, the machine will assume the absence of copy paper and will indicate “E” in the count/ratio indicator in the control panel. (This mechanism substitutes a paper detecting mechanism.)



- I : Re-pickup operation is executed if the vertical path roller paper sensor (PS4) does not detect copy paper within 0.5 sec after the pickup clutch solenoid (SL1) has turned on.
- II : The cassette pickup solenoid (SL5) turns on once again about 1.3 sec after the pickup clutch solenoid (SL1) turns on.

Figure 5-105

4. Controlling the Multifeeder Pickup Roller

The multifeeder pickup roller is controlled by a spring clutch, control ring, pickup clutch solenoid (SL1), gear unit, and multifeeder pickup solenoid (SL4).

When the multifeeder pickup solenoid (SL4) turns on, the drive of the main motor (M1) reaches the cam gear. When the cam gear starts to rotate in response, the lifter, which is in contact with the cam, moves up the gear unit and, at the same time, pushes down the paper guide plate. The cam gear makes a 180° turn (approximate), and stops at the toothless section.

When the pickup solenoid turns on in this condition, the claw leaves the control ring, and the drive of the main motor (M1) reaches the multifeeder pickup roller.

When the multifeeder pickup roller rotates, paper is picked up and sent as far as the registration roller, which controls the paper so that its leading edge will match the leading edge of the image on the photosensitive drum.

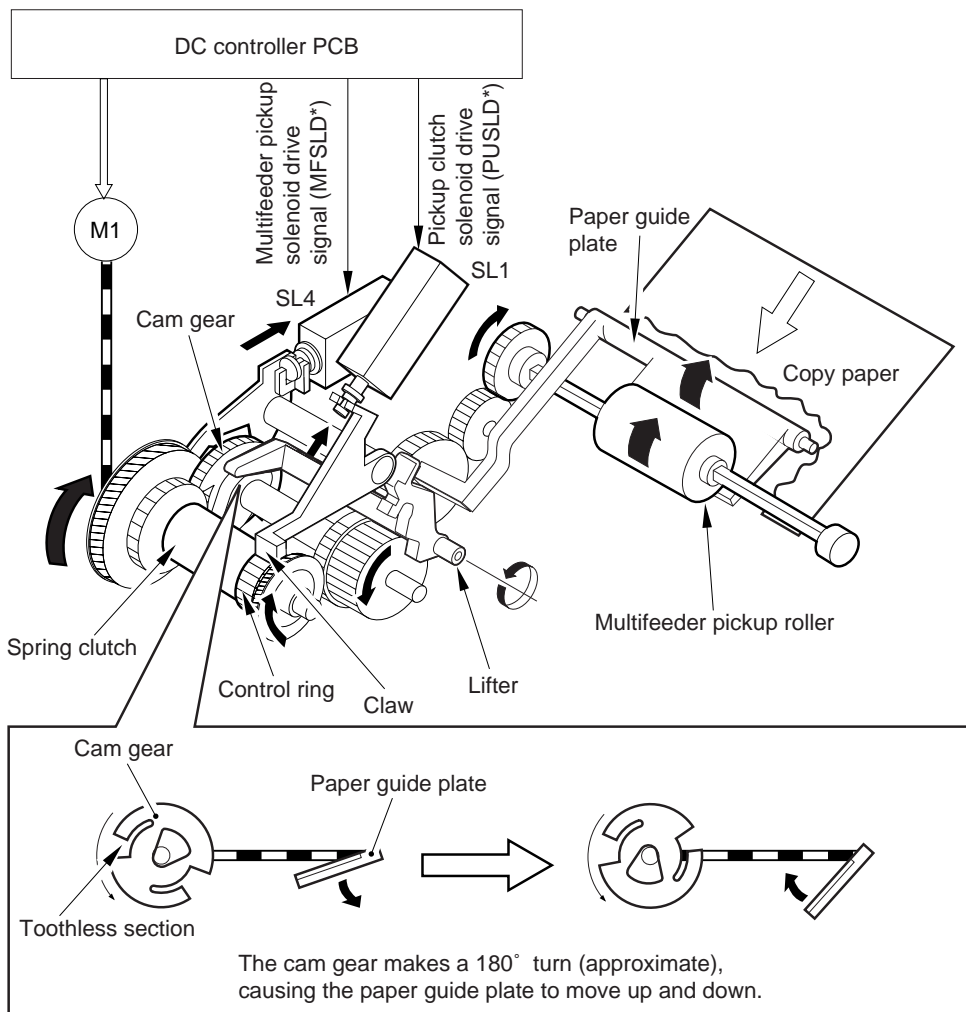


Figure 5-106

5. Controlling the Single-feeder Pickup Roller

The single-feeder pickup roller is controlled by the pickup clutch solenoid (SL1) and the single-feeder paper sensor (PS5).

When copy paper is inserted into the single-feeder, the single-feeder paper sensor turns on and the main motor starts to rotate. The drive of the main motor reaches the signal feeder pickup roller through a gear.

When the single-feeder pickup roller starts to rotate, copy paper is picked up from the signal feeder and is sent as far as the registration roller, which controls the paper so that its leading edge will match the leading edge of the image on the photosensitive drum.

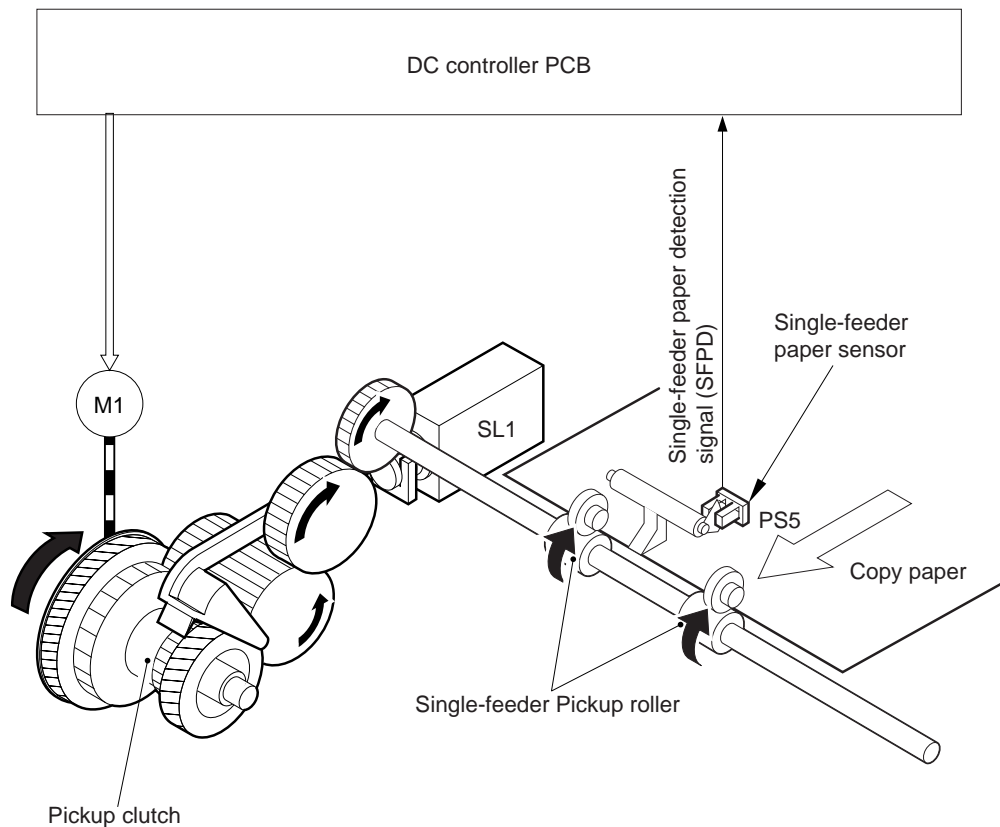


Figure 5-107

6. Controlling the Copying Speed in Multifeeder Mode

The machine does not possess a copy paper width detecting function and, therefore, the temperature of the ends of the fixing assembly increases when copies are made continuously on paper narrower than A4/LTR.

When the multifeeder is used for continuous copying, a delay is initiated after picking up the 19th sheet so as to increase the sheet-to-sheet distance for the sheets that follow, controlling the copying speed to 9 cpm.

If the copying speed is controlled (to 6 cpm) by a mechanism to prevent overheating of the copyboard, this control will not be executed, and moreover if the temperature of the copyboard increases during 9-cpm control, 6-cpm control will be initiated.

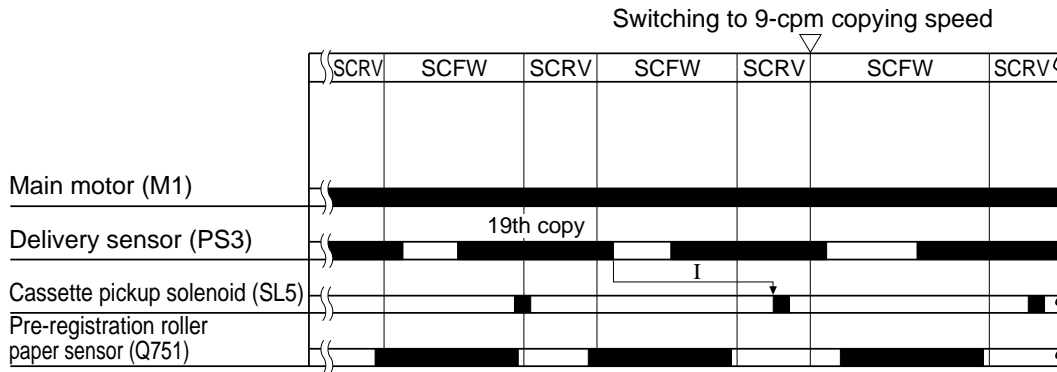


Figure 5-108

C. Controlling the Movement of Paper

1. Controlling the Registration Roller

The registration roller is controlled by a spring clutch, control ring, pre-registration roller paper sensor (Q751), and registration clutch solenoid (SL2).

The microprocessor on the DC controller PCB turns on the registration clutch solenoid at a specific timing in response to the paper detection signal from the pre-registration roller paper sensor. When the registration clutch solenoid turns on, the claw will leave the control ring, and the drive of the main motor will reach the registration roller to move the copy paper to the photosensitive drum.

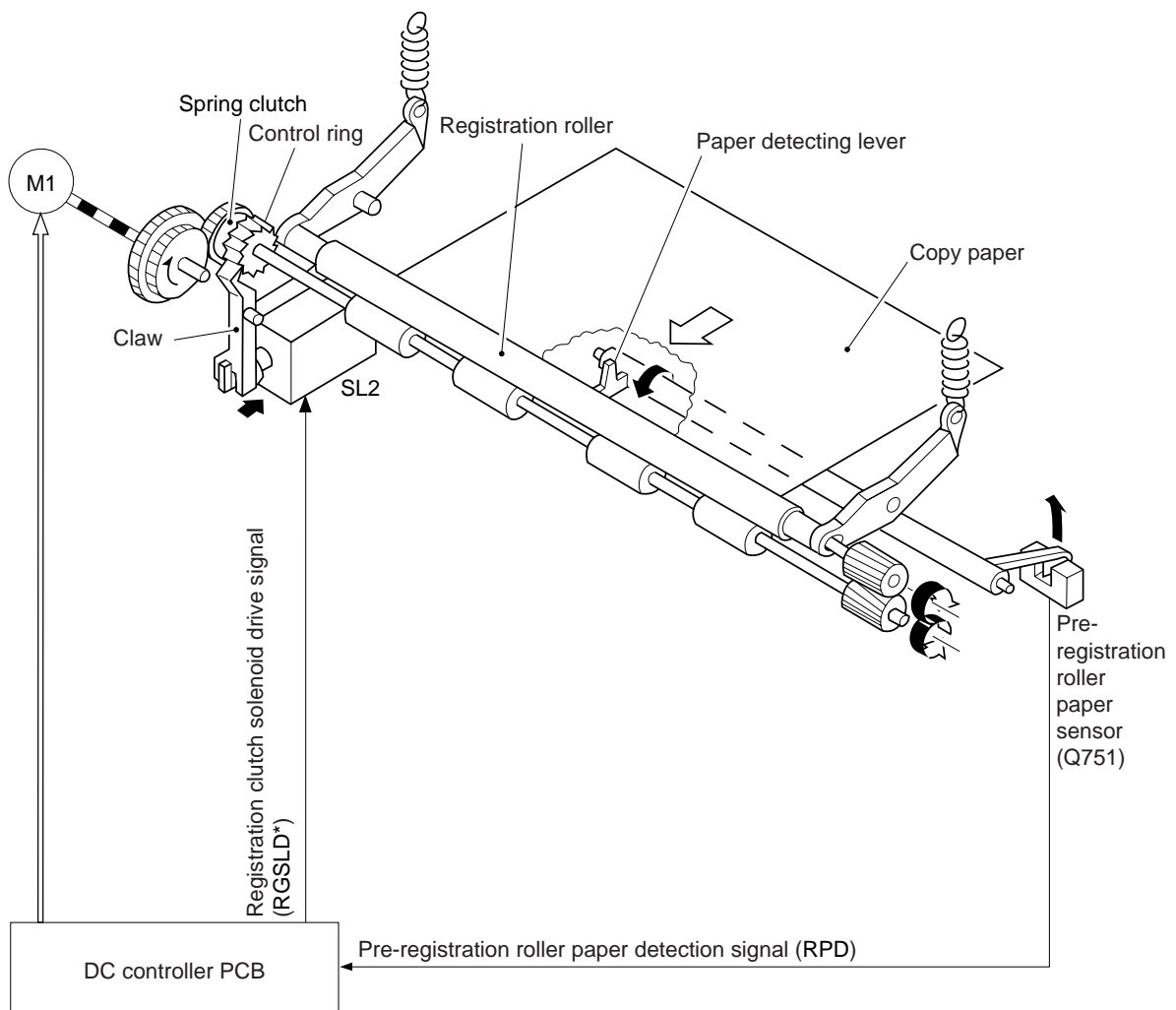


Figure 5-109

2. Pickup/Feeding Timing Chart

a. Pickup from the Cassette (A4, 2 copies)

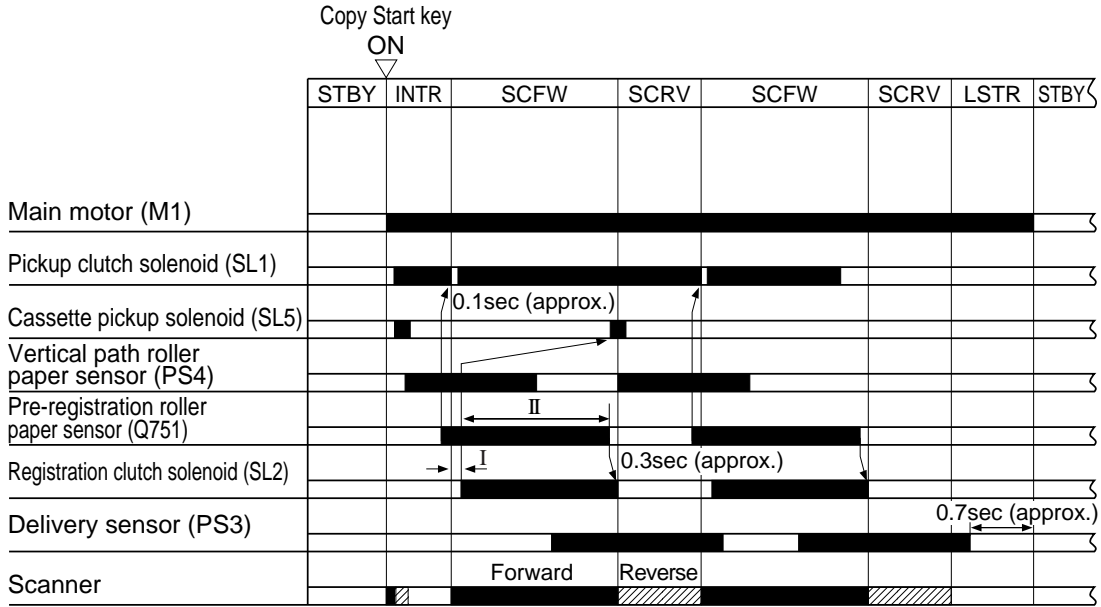


Figure 5-110

b. Pickup from the Single-feeder (A4, 1 copy)

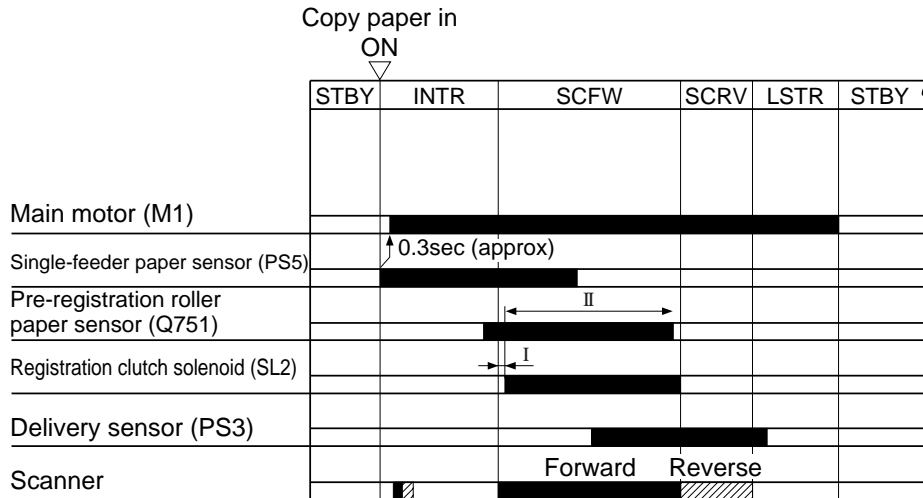
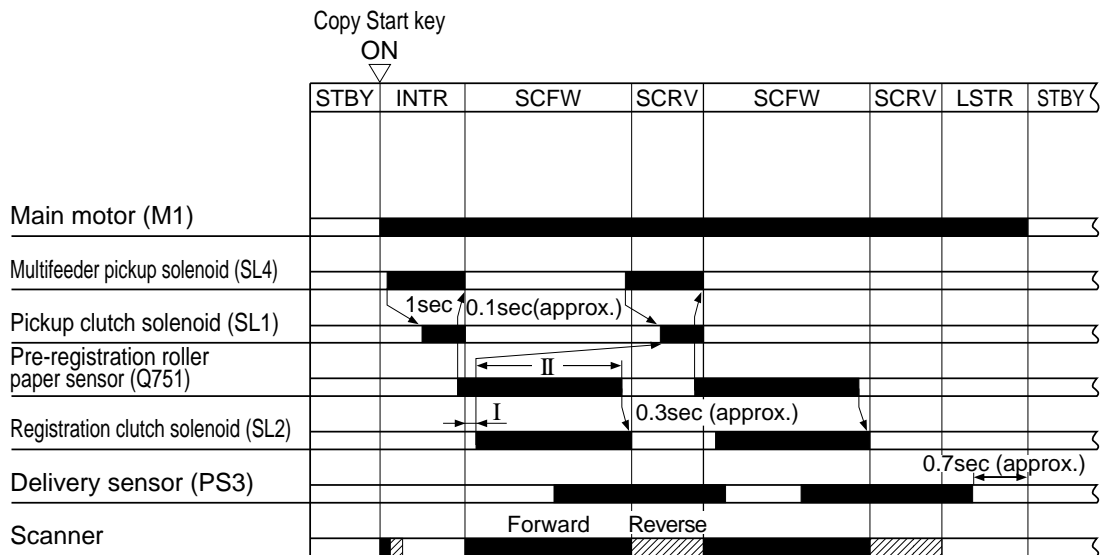


Figure 5-111

c. Pickup from the Multifeeder (A4, 2 copies)



- I: Varied by value under '30' of service mode (registration adjustment).
- II: Used for measuring the length of copy paper.
 $\text{length of copy paper (mm)} = 96 \text{ (mm/s)} \times \text{II (s)} + 11 \text{ (mm)} - 10 \text{ (mm)}$
 96 (mm/s) : speed at which copy paper is moved.
 11 (mm) : distance between pre-registration roller paper sensor and registration roller.
 10 (mm) : length of actuator of the pre-registration roller paper sensor.

Figure 5-112

D. Detecting Jams

The machine is equipped with four paper sensors used to find out the presence/absence of copy paper and whether copy paper is moving properly.

- Vertical path roller paper sensor (PS4)
- Single-feeder paper sensor (PS5)
- Pre-registration roller paper sensor (Q751)
- Delivery sensor (PS3)

The presence/absence of a jam is checked with reference to the presence/absence of paper over a specific sensor at such times as programmed in the microprocessor.

The machine is not equipped with a function which remembers the remaining number of copies to make at time of a jam and the selected copying mode; in other words, it will be reset to standard mode when it is opened and closed for the removal of the jam.

The microprocessor possesses the following eight types of no paper/jam detection sequence; if any of its sensors detects copy paper at power-on, the machine will identify the condition as a jam.

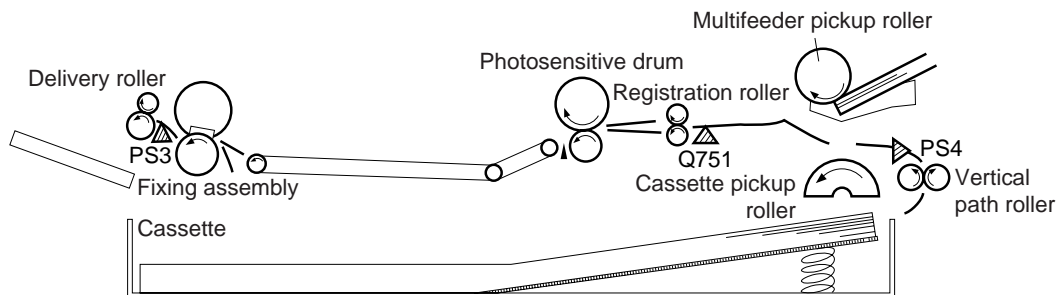


Figure 5-113 (Multifeeder type)

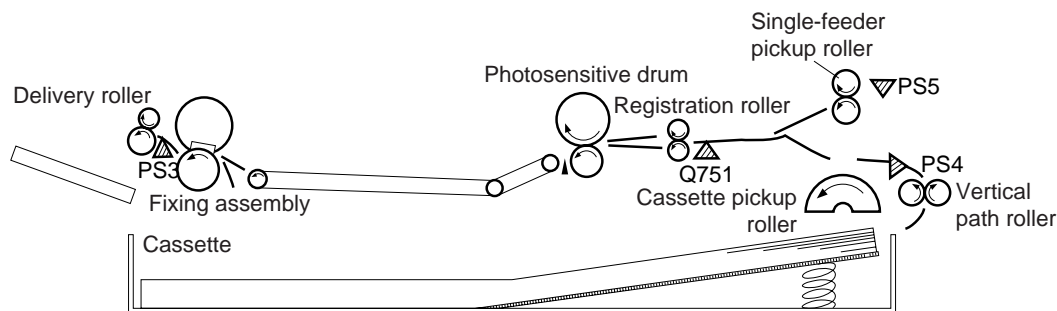


Figure 5-114 (Single-feeder type)

1. Multifeeder Pickup Assembly (no paper, pickup delay jam)

If copy paper does not reach the pre-registration roller paper sensor within a specific period of time in multifeeder mode, the condition will be identified as the absence of paper; the machine will stop the main motor in about 1.5 sec, and indicate the Add Paper message.

If the pre-registration roller paper sensor detects copy paper during this 1.5 sec period (approximate), the machine will identify the condition as a pickup delay jam, and flash the Jam indicator.

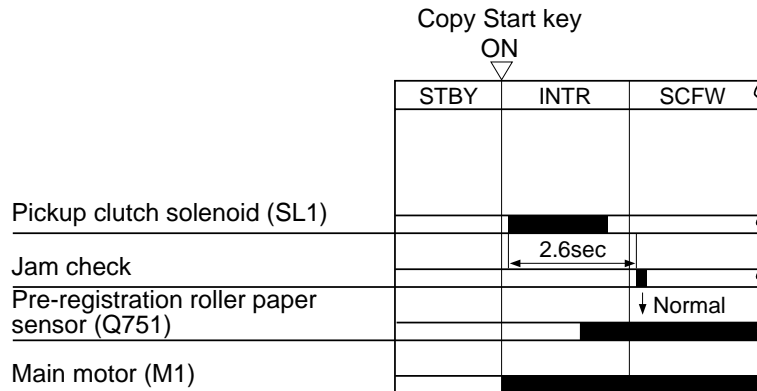


Figure 5-115 (normal)

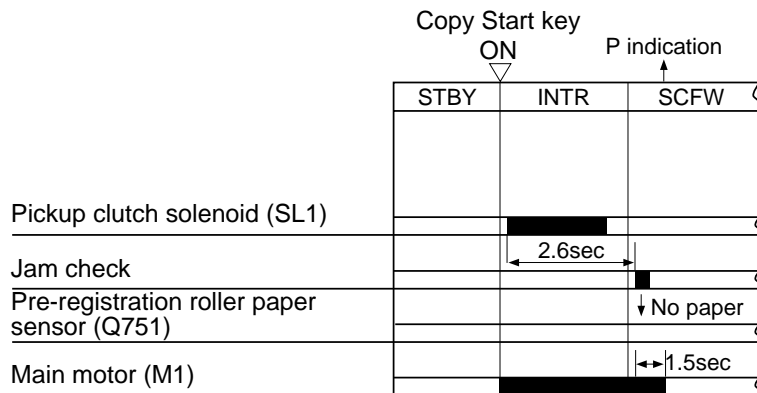


Figure 5-116 (no paper)

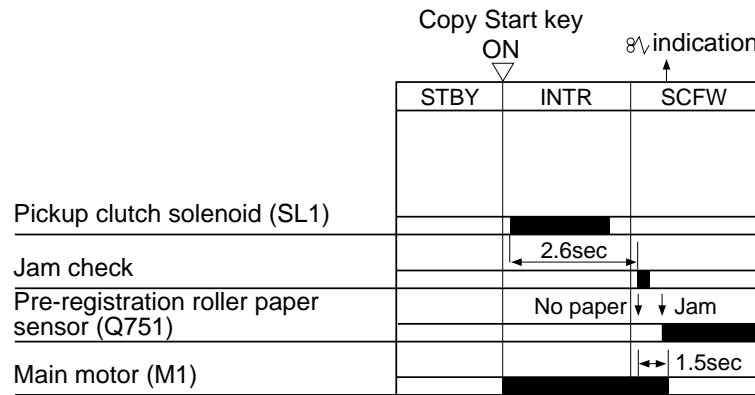


Figure 5-117 (jam)

2. Absence of Paper in the Cassette Pickup Assembly

When re-pickup operation is executed (from the cassette), the absence of paper will be identified if copy paper does not reach the vertical path roller paper sensor within a specific period of time. In response, the machine will stop the main motor in about 1.5 sec, and indicate the Add Paper message.

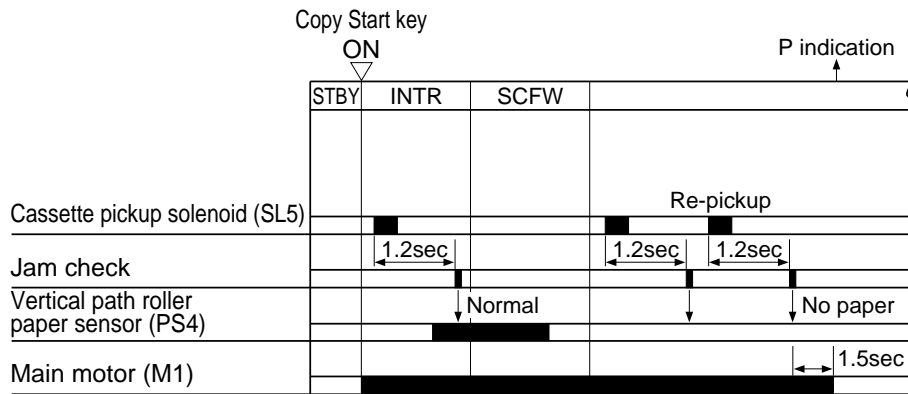


Figure 5-118

3. Single-feeder Pickup Delay Jam

After being detected by the single-feeder paper sensor, if copy paper does not reach the pre-registration roller sensor within a specific period of time, the machine will identify the condition as a single feed pickup delay jam, stop the operation immediately, and flash the Jam indicator.

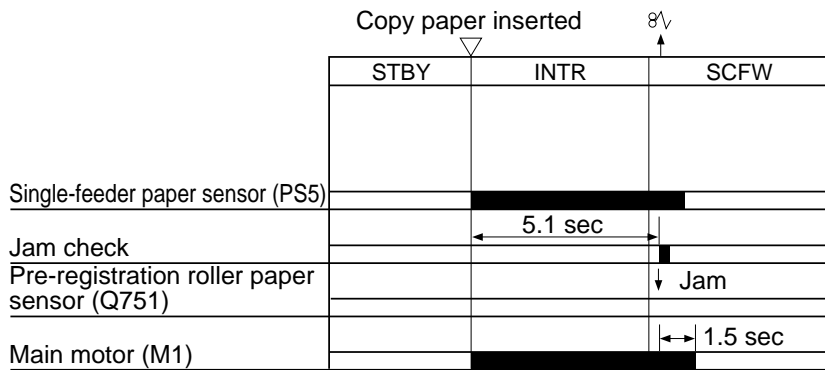


Figure 5-119

4. Vertical Path Stationary Jam

If copy paper fails to move past the vertical path roller paper sensor within a specific period of time because of faulty feeding, the machine will identify the condition as a vertical path stationary jam, stop the operation, and flash the Jam indicator.

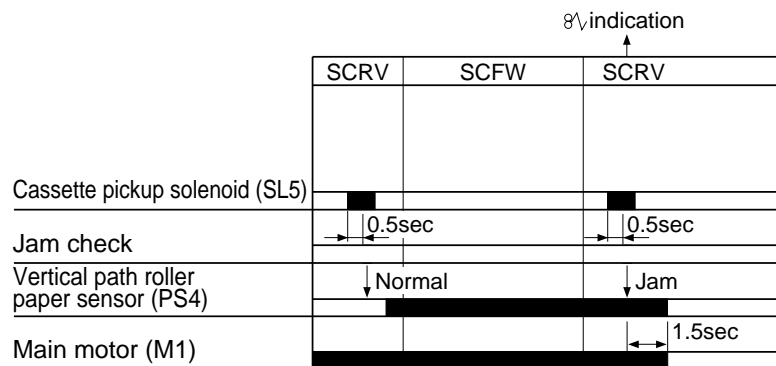


Figure 5-120

5. Registration Paper Delay Jam

After reaching the vertical path roller paper sensor, if copy paper fails to reach the pre-registration roller paper sensor within a specific period of time, the machine will identify the condition as a registration paper delay jam, stop the operation immediately, and flash the Jam indicator.

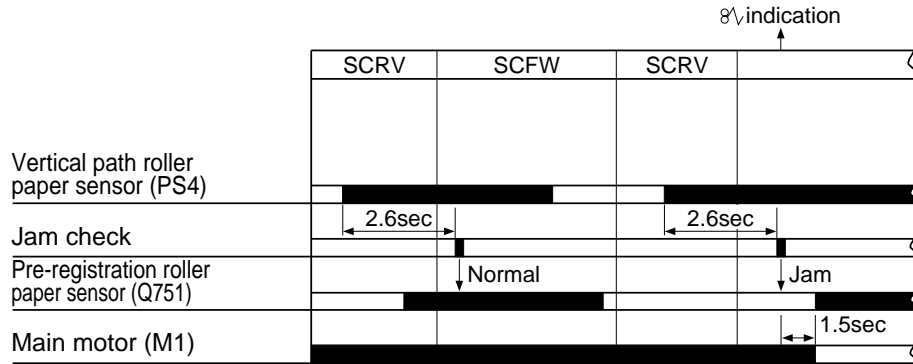


Figure 5-121

6. Registration Paper Stationary Jam

If copy paper does not move past the pre-registration roller paper sensor within a specific period of time because of feeding faults, the machine will identify the condition as a registration paper stationary jam, stop the operation immediately, and flash the Jam indicator.

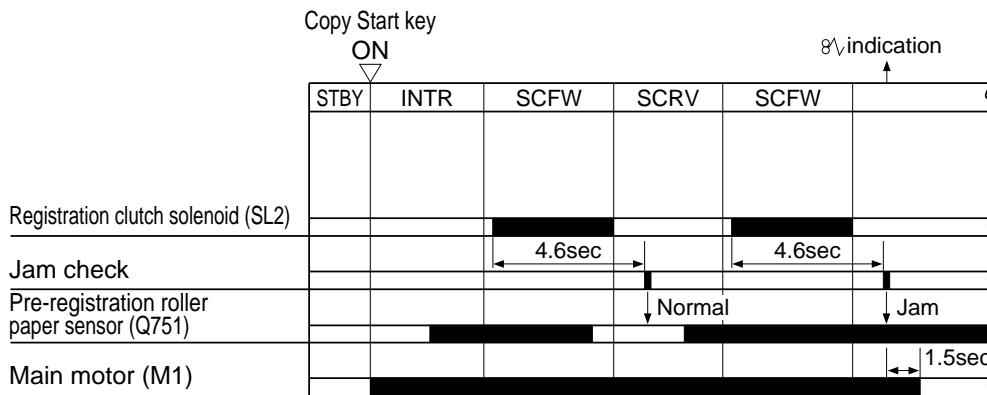


Figure 5-122

7. Delivery Delay Jam

If copy paper does not reach the delivery sensor within a specific period of time because of feeding faults, the machine will identify the condition as a delivery delay jam, stop the operation immediately, and flash the Jam indicator.

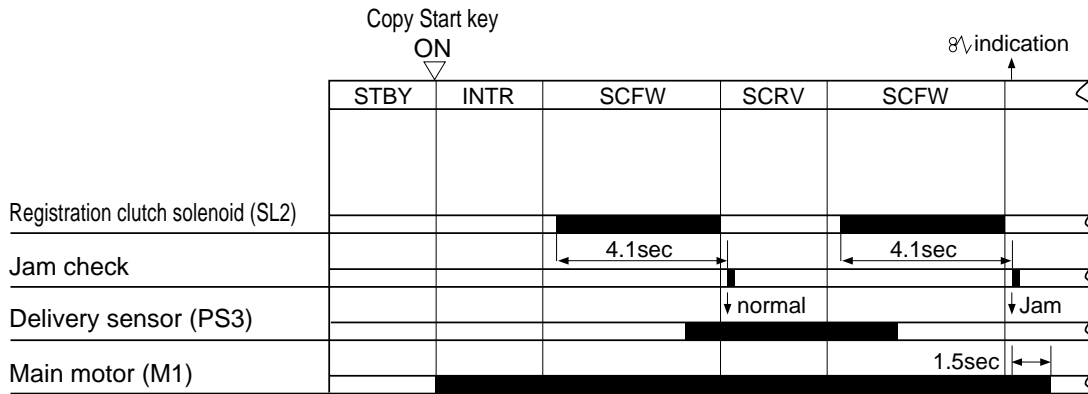


Figure 5-123

8. Delivery Stationary Jam

If copy paper does not move past the delivery sensor within a specific period of time because of feeding faults, the machine will identify the condition as a delivery stationary jam, stop the operation immediately, and flash the Jam indicator.

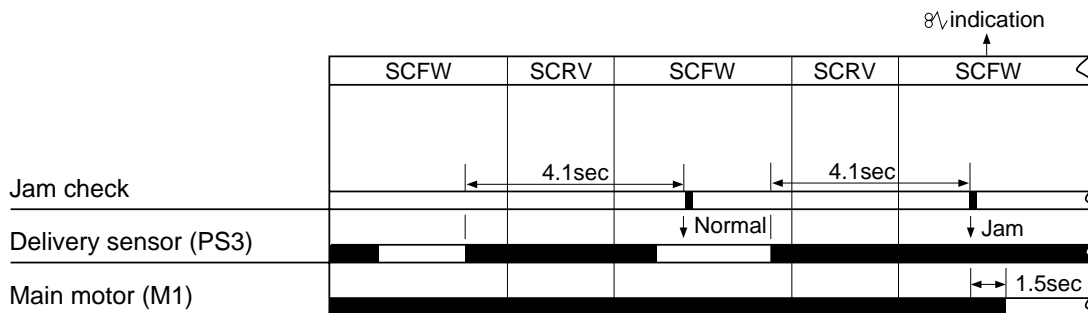


Figure 5-124

II. DISASSEMBLY/ASSEMBLY

As needed, disassemble/assemble the machine with the following in mind:

1. **▲** Before starting the work, turn off the power switch and disconnect the power plug for safety.
2. Unless otherwise instructed, assemble the parts by reversing the steps used to disassemble it.
3. Identify the screws by type (length, diameter) and location.
4. Use the washers where necessary. (The screws used to mount the grounding wire and Varistors come with a washer to ensure electrical continuity.)
5. As necessary, cut the harnessband.
6. As a rule, do not operate the machine with any of its part removed.
7. A few of the screws used are special screws (with wider thread intervals). Do not use any screws indiscriminately.

A. Pickup Assembly

1. Removing the Pickup Roller

- 1) Pull out the cassette.
- 2) Remove the front lower cover.
(See Chapter 7.III.A.2. "Removing the Front Lower Cover.")
- 3) Open the machines' top unit farther, and hold it in place with the handle of a screwdriver (about 30 mm in diameter).

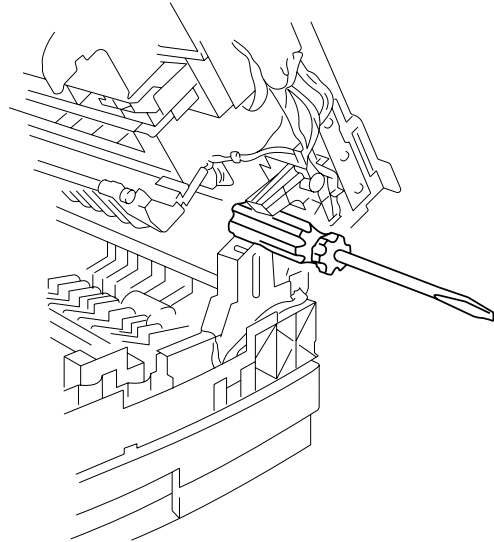


Figure 5-201

- 4) Remove the screw [1], and free the two claws [2]; then, detach the feeding assembly cover [3].

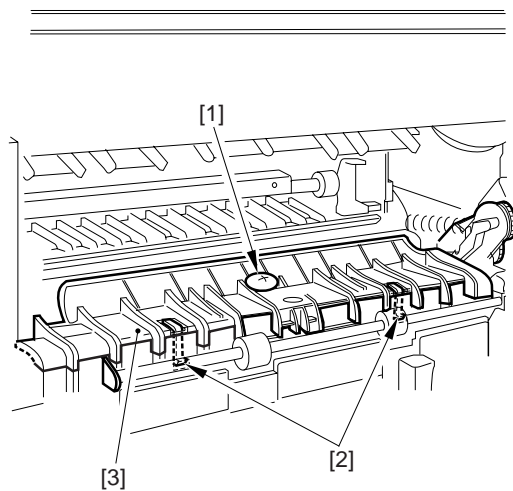


Figure 5-202

- 5) While pulling the guide plate [4] of the cassette pickup solenoid in the direction of the arrow, turn the gear [5] slightly in the direction of the arrow to disengage the guide plate [4] and the gear [6].

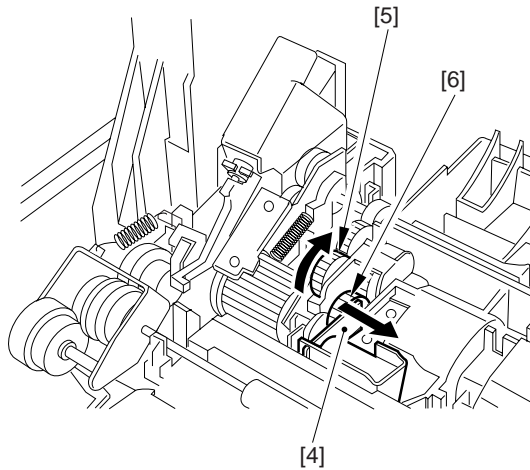


Figure 5-203

- 6) While pulling the plunger [7] of the pickup solenoid, turn the gear [8] in the direction of the arrow so that the pickup roller [9] is oriented as shown.

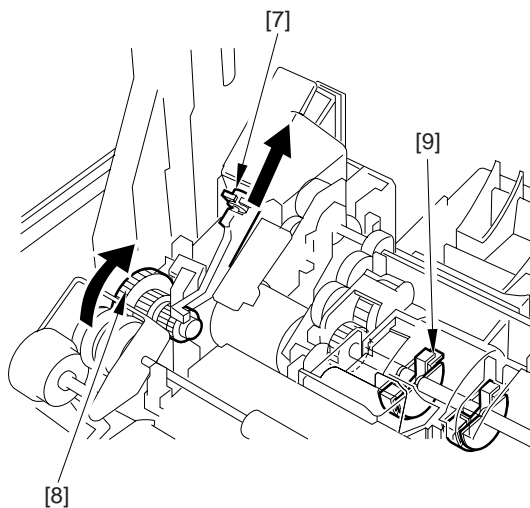


Figure 5-204

- 7) Using a hex wrench or the like, push the hook [10] of the pickup roller through the hole to remove the pickup roller [11].

Caution:

When removing the pickup roller, be sure to push the claw while holding the shaft in place so as to prevent the pickup roller shaft from freeing itself.

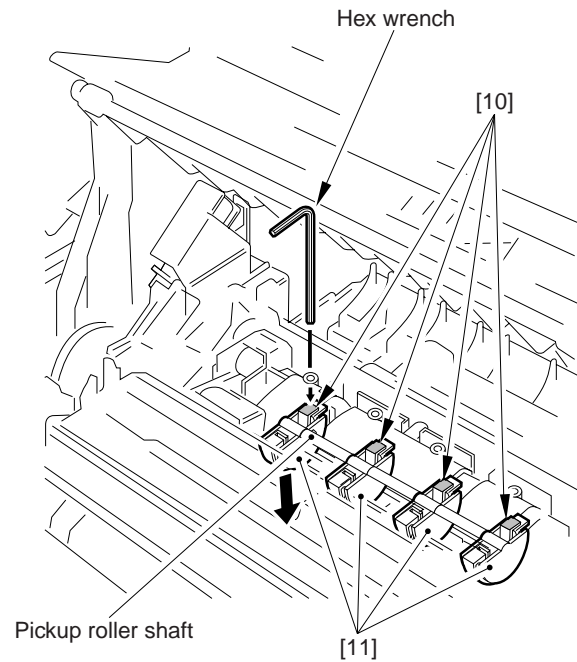


Figure 5-205

Caution:

When mounting the multifeder unit, perform the next steps first:

- 1) Turn on the power switch; then, select the multifeder, and press the Copy Start key.
- 2) When the pickup gear unit has moved up as far as it can, turn off the power switch.
- 3) Mount the multifeder; then, make a copy using the multifeder.

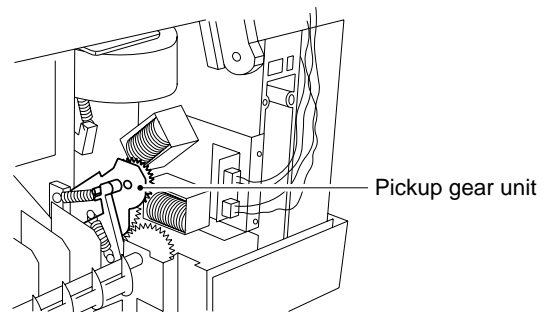


Figure 5-206

2. Removing the Pickup Clutch

2.1 Removing the Pickup Clutch (single-feeder type)

- 1) Remove the front lower cover.
(See Chapter 7.III.A.2.“Removing the Front Lower Cover.”)
- 2) Remove the registration roller unit.
(See E.1.“Removing the Registration Roller Unit.”)
- 3) Open the machine’s top unit, and hold it in place using the handle of a screwdriver (about 30 mm in diameter).

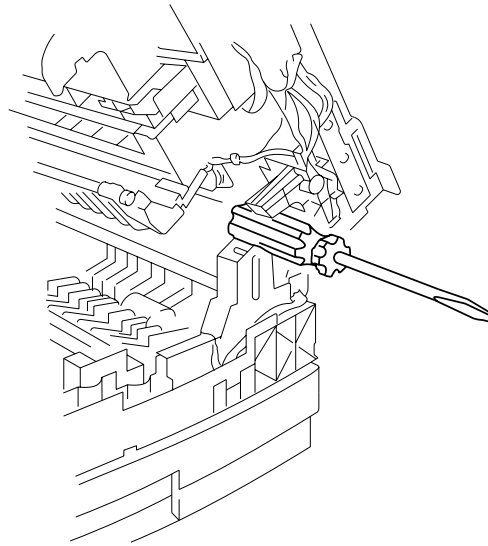


Figure 5-207

- 4) Disconnect the connector [1], and remove the screw [2]; then, detach the solenoid unit [3].

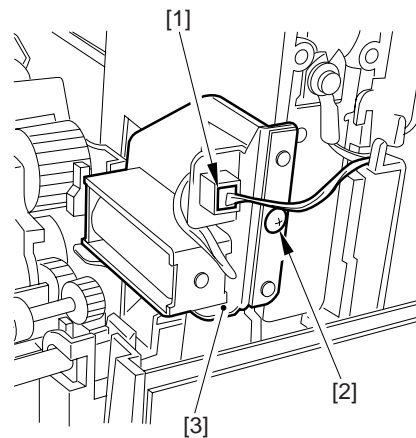


Figure 5-208

- 5) Remove the screw [4] and the two claws [5], and detach the gear unit [6].

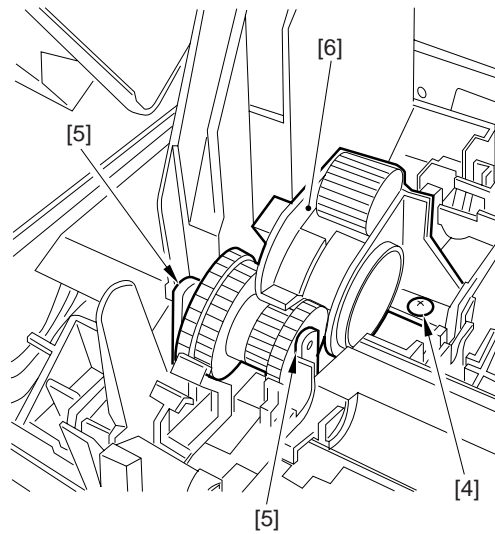


Figure 5-209

- 6) Free the claw [7] of the gear unit [6], and detach the clutch unit [8].

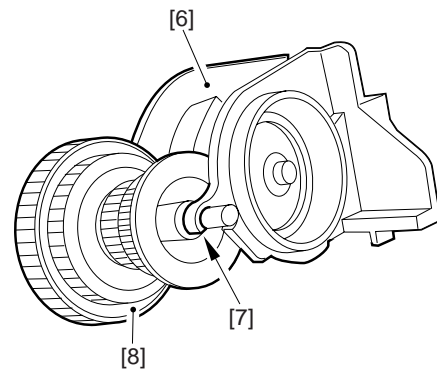


Figure 5-210

- 7) Remove the E-ring [9] and the washer [10], and detach the pickup clutch [11].

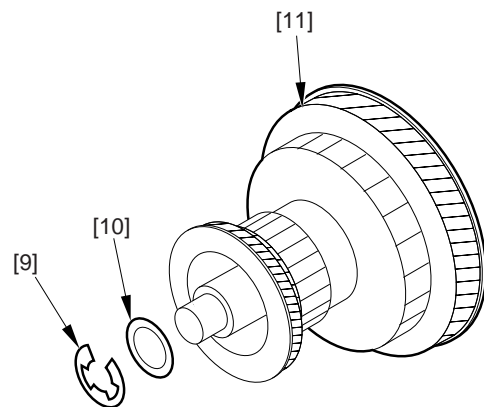


Figure 5-211

2.2 Removing the Pickup Clutch (multifeeder type)

- 1) Remove the front lower cover.
(See Chapter 7.III.A.2.“Removing the Front Lower Cover.”)
- 2) Remove the registration roller unit.
(See E.1.“Removing the Registration Roller Unit.”)
- 3) Open the machine’s top unit farther, and hold it in place with the handle of a screwdriver (about 30 mm in diameter).

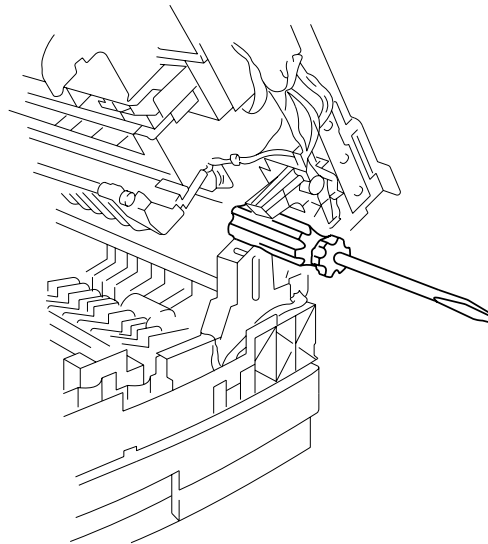


Figure 5-212

- 4) Disconnect the two connectors [1], and remove the two screws [2] then, detach the solenoid unit [3].

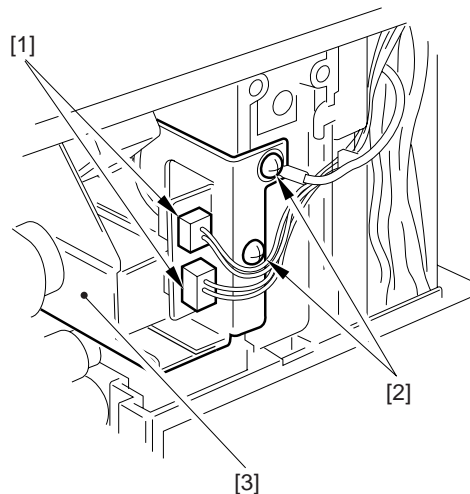


Figure 5-213

- 5) While freeing the two claws [4], remove the pickup clutch unit [5].

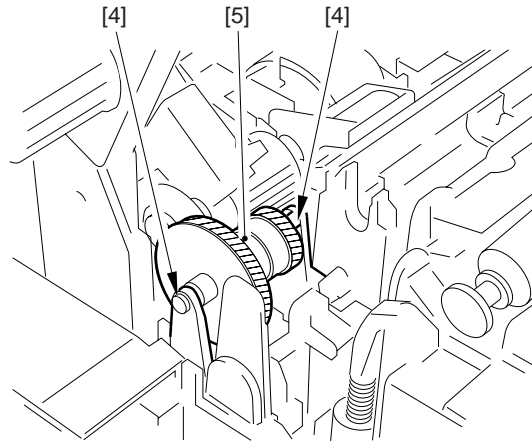


Figure 5-214

- 6) Remove the E-ring [6], and detach the pickup clutch [7].

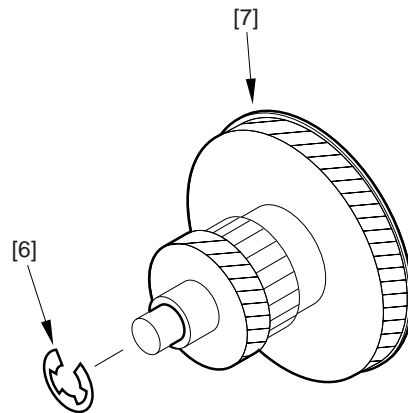


Figure 5-215

3. Removing the Vertical Path Roller

- 1) Remove the front lower cover.
(See Chapter 7.III.A.2.“Removing the Front Lower Cover.”)
- 2) Open the machine’s top unit farther, and hold it using the handle of a screwdriver (about 30 mm in diameter).

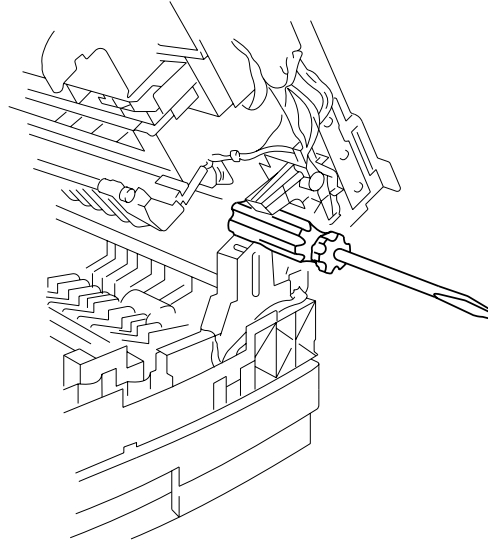


Figure 5-216

- 3) Remove the screw [1], and free the two claws [2]; then, detach the feeding assembly cover [3].

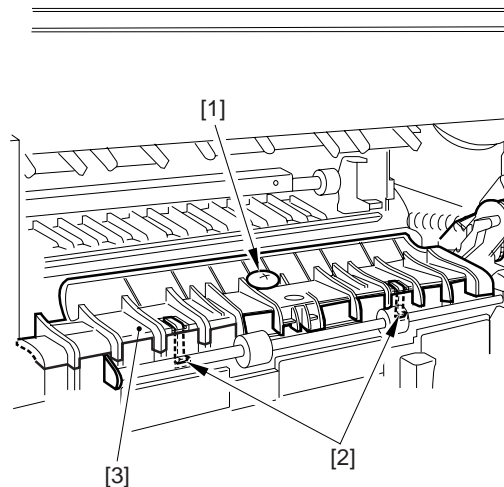


Figure 5-217

- 4) While lifting the sensor lever [4], remove the vertical path roller [5].

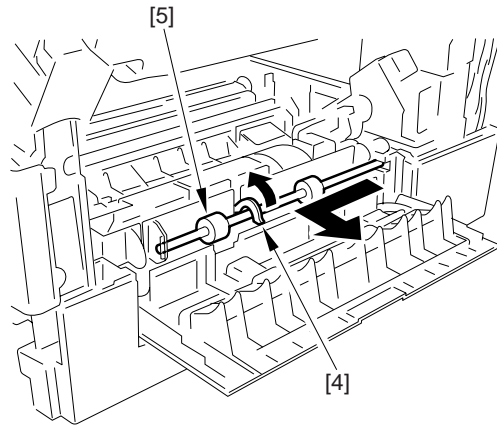


Figure 5-218

B. Multifeeder Assembly

1. Removing the Multifeeder Unit

- 1) Open the right door.
- 2) Remove the two screws [1], and detach the multifeeder unit [2].

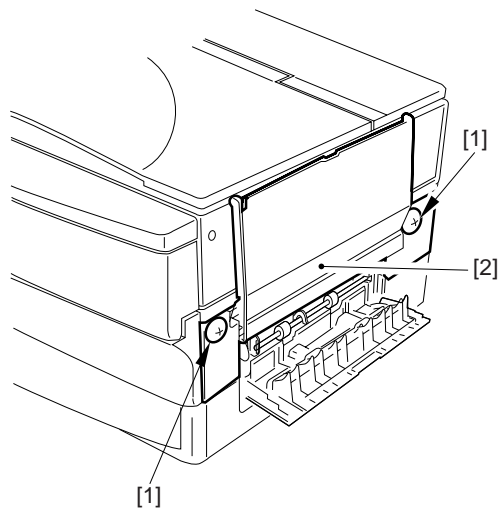


Figure 5-219

Caution:

When mounting the multifeeder unit, perform the following first:

- 1) Turn on the power switch; then, select the multifeeder, and press the Copy Start key.
- 2) When the pickup gear unit has moved as far as it can, turn off the power switch.
- 3) Mount the multifeeder unit; then, make a copy using the multifeeder.

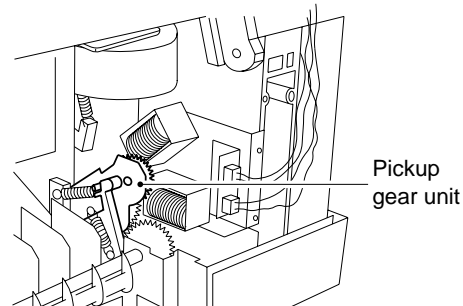


Figure 5-220

2. Removing the Multifeeder Pickup Roller

- 1) Remove the multifeeder unit.
(See 1. "Removing the Multifeeder Unit.")
- 2) Free the claw [1], and remove the gear [2] and the bushing [3].

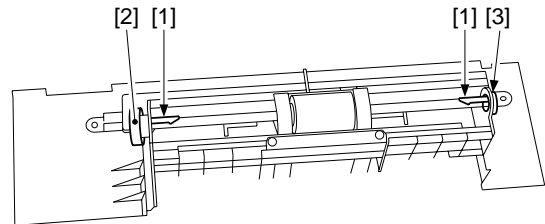


Figure 5-221

- 3) Remove the multifeeder pickup roller unit [4].

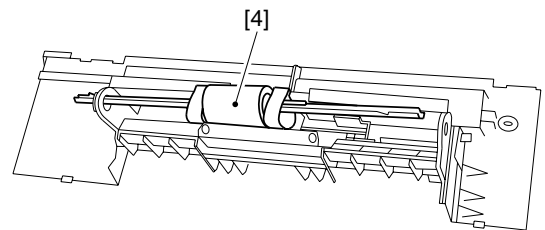


Figure 5-222

- 4) While freeing the claw [5], detach the multifeeder pickup roller [6].

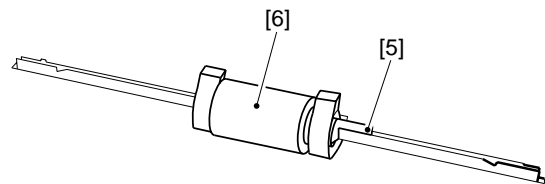


Figure 5-223

3. Removing the Separation Pad

- 1) Remove the multifeeder pickup roller together with its shaft.
(See 2. "Removing the Multifeeder Pickup Roller.")
- 2) Remove the multifeeder tray.
- 3) Slide the side guide [1] to the inside about 3 cm, and free the two claws [2]; then, detach the holding plate [3].

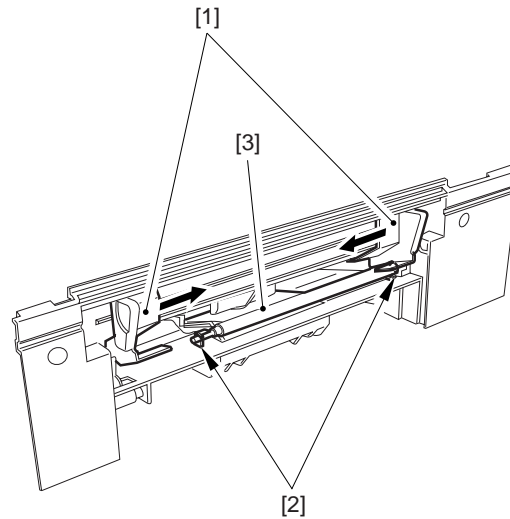


Figure 5-224

- 4) Push up the separation pad [4], and pull it out by pushing the shaft [5] toward the inside.

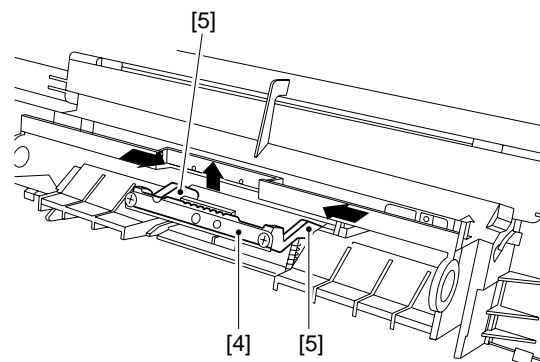


Figure 5-225

C. Single-feeder Assembly

1. Removing the Single-feeder Unit

- 1) Open the right door.
- 2) Remove the two screws [1], and remove the single-feeder unit [2].

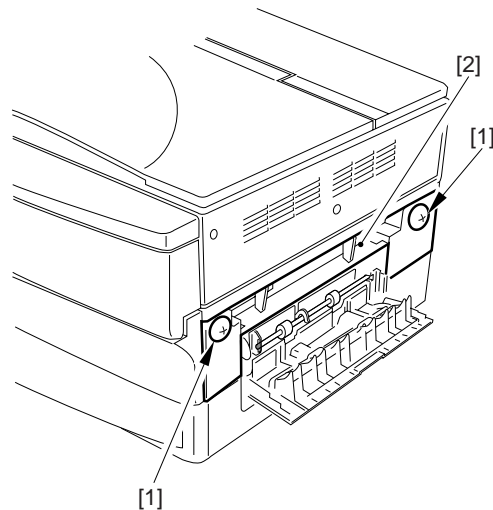


Figure 5-226

2. Removing the Single-feeder Pickup Roller

- 1) Remove the single-feeder unit.
(See 1. “Removing the Single-feeder Unit.”)
- 2) Push up the stopper lever [1], and move the gear [2] of the single-feeder pickup roller assembly in the direction of the arrow.

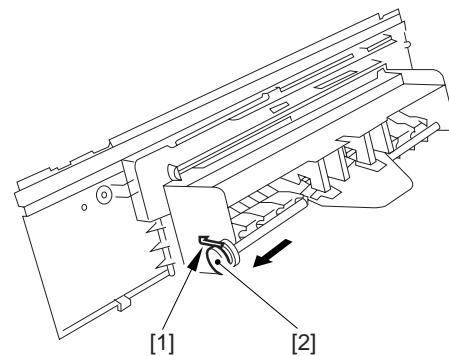


Figure 5-227

- 3) Remove the single-feeder pickup roller assembly [4] together with the paper guide plate [3].

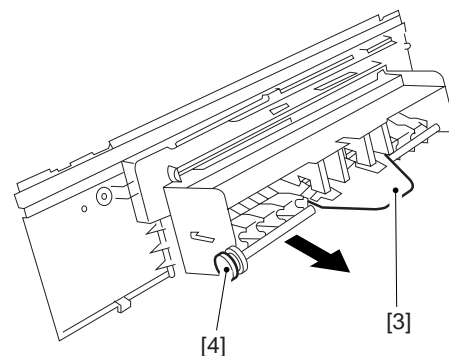


Figure 5-228

- 4) Free the claw [5] of the paper guide plate [3], and remove the single-feeder pickup roller [6].

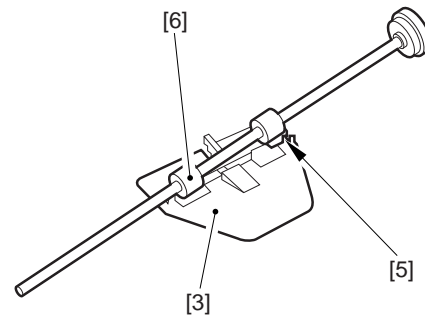


Figure 5-229

D. Feeding Assembly

1. Detaching the Feed Belt

- 1) Open the machine's top unit.
- 2) Push down the stopper [1], and remove the gear [2].

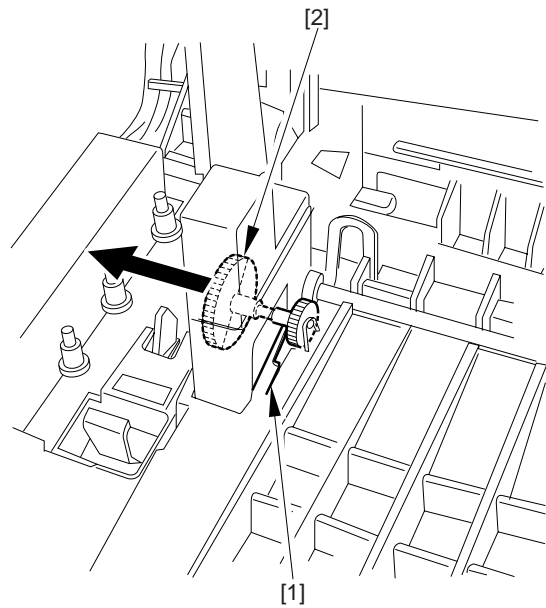


Figure 5-230

- 3) While freeing the claw [3], detach the four shafts [4]; then, detach the feed belt [5].

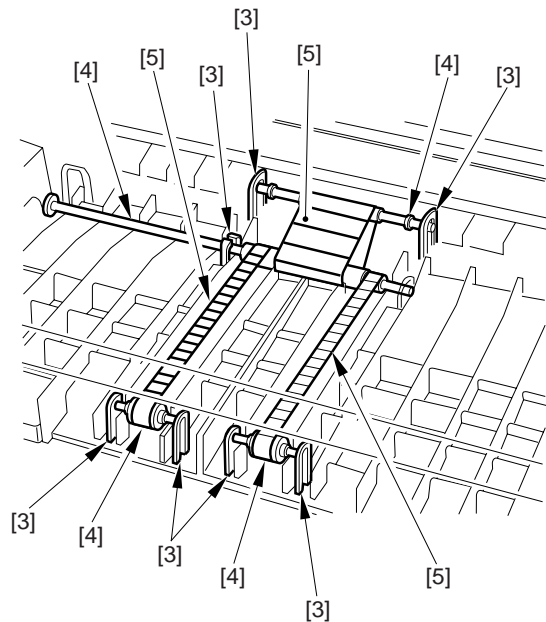


Figure 5-231

E. Registration Roller Assembly

1. Removing the Registration Roller Unit

- 1) Open the machine's top unit.
- 2) Remove the spring [1] (front, rear).

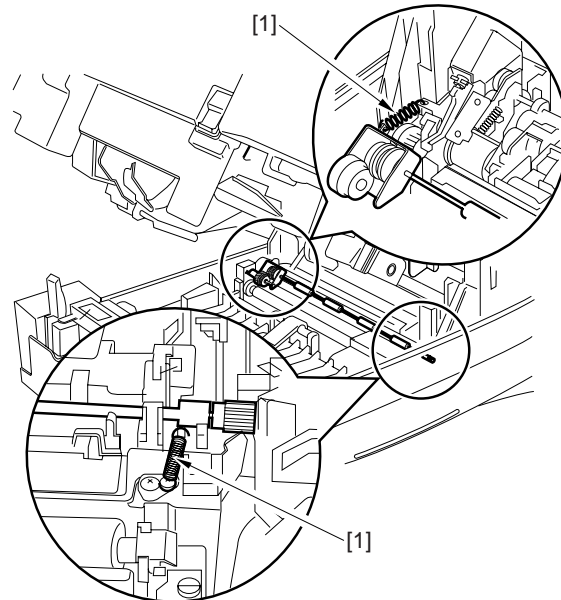


Figure 5-232

- 3) Remove the two bushings [2] and remove the registration roller lower unit [3].

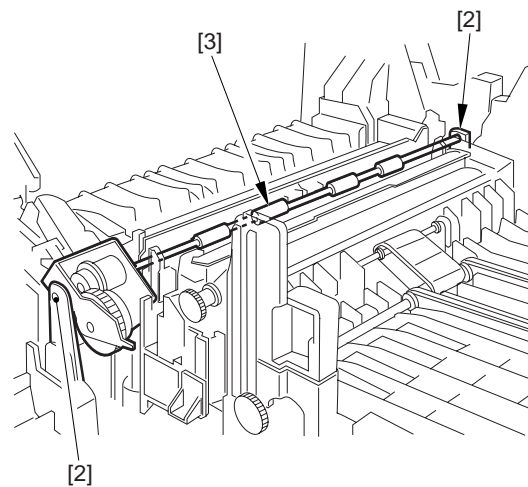


Figure 5-233

2. Removing the Registration Roller Clutch

- 1) Remove the registration roller unit.
(See 1. "Removing the Registration Roller Unit.")
- 2) Remove the bushing [1] and the E-ring [2].

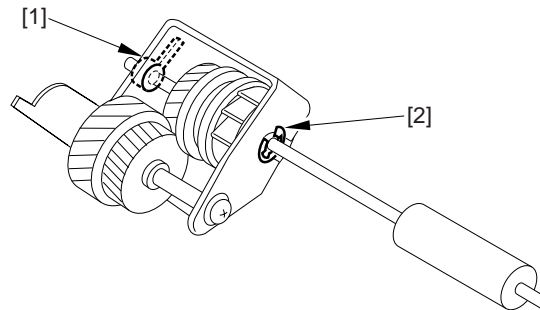


Figure 5-234

- 3) While shifting down the registration roller [3], detach it from the gear unit [4].

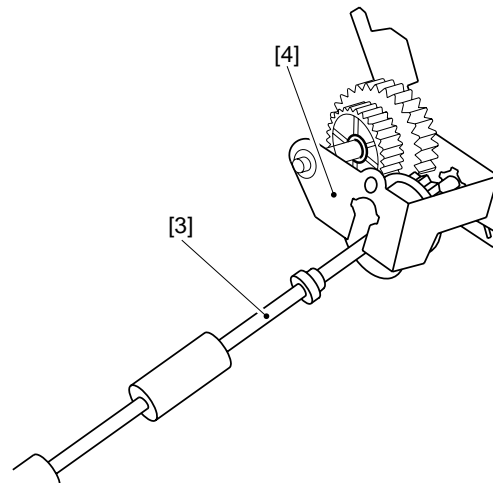


Figure 5-235

- 4) Remove the E-ring [5], and detach the registration roller clutch [6].

Caution:
The clutch has a pin. Take care not to lose it when removing the clutch.

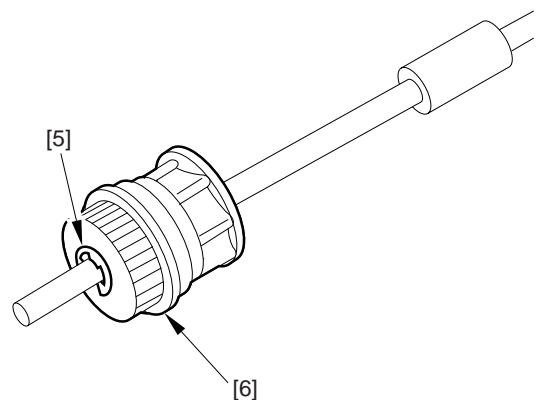


Figure 5-236

F. Delivery Assembly

1. Removing the Delivery Roller

- 1) Remove the fixing lower roller.
(See Chapter 6.II.A.3. "Removing the Fixing Lower Roller.")
- 2) Remove the two screws [1], and detach the side plate [2] and the four gears [3].

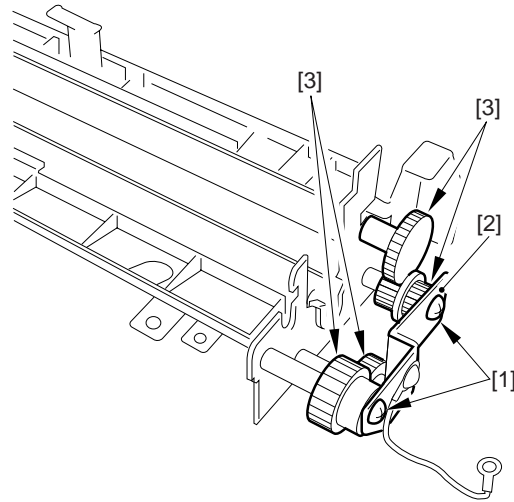


Figure 5-237

- 3) Remove the screw [4], and free the two hooks [5]; then, detach the sensor holder [6].

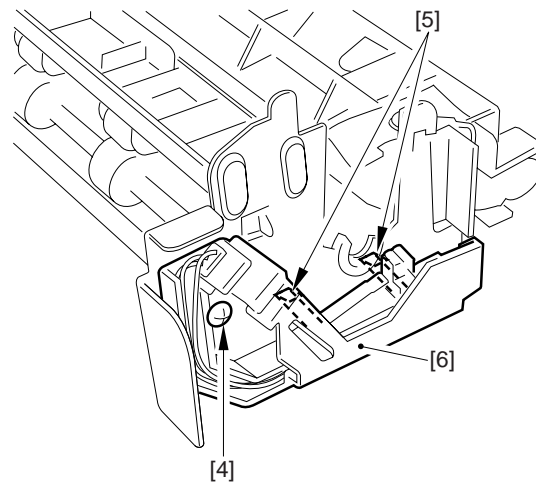


Figure 5-238

- 4) Remove the two bushings [7].

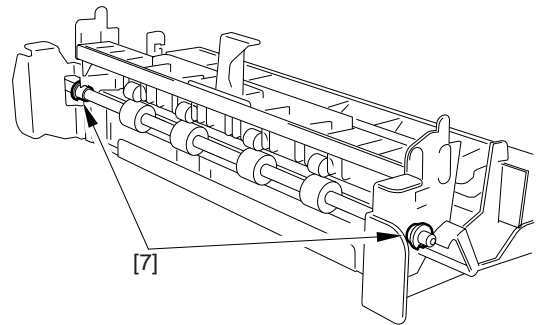


Figure 5-239

- 5) While shifting the delivery lower guide [8] toward the rear, detach the delivery roller [9].

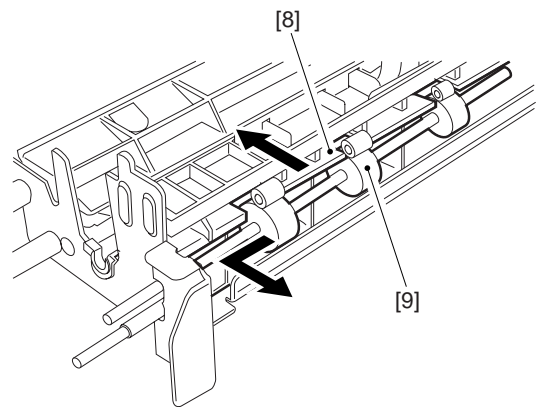


Figure 5-240

CHAPTER 6

FIXING SYSTEM

This chapter explains the principles used to fuse toner images to transfer medium in view of the functions of electrical and mechanical units and in relation to their timing of operation. It also shows how these units may be disassembled/assembled and adjusted.

| | | | |
|--|-----|--------------------------------|------|
| I. OPERATIONS | 6-1 | II. DISASSEMBLY/ASSEMBLY | 6-10 |
| A. Outline | 6-1 | A. Fixing Assembly | 6-11 |
| B. Controlling the Fixing Temperature | 6-3 | | |

I. OPERATIONS

A. Outline

The major functions of the fixing unit are as follows:

| Item | Description |
|------------------------------|--|
| Fixing method | SURF |
| Fixing drive | Main Motor (M1) |
| Fixing heater | Flat heater |
| Fixing temperature detection | Thermistor (TH1) |
| Cleaner | Cleaning roller |
| Protective functions | The following are used to detect and protect against an error; upon detection, power to the fixing heater will be cut: <ul style="list-style-type: none"> • Thermistor (TH1) • Thermal fuse (FU2; activating at 228°C) |
| Error code | E000 The fixing temperature fails to increase. E001 The thermistor has detected overheating. E002 Fault in fixing power control. E003 The fixing temperature has dropped abnormally. |

Table 6-101

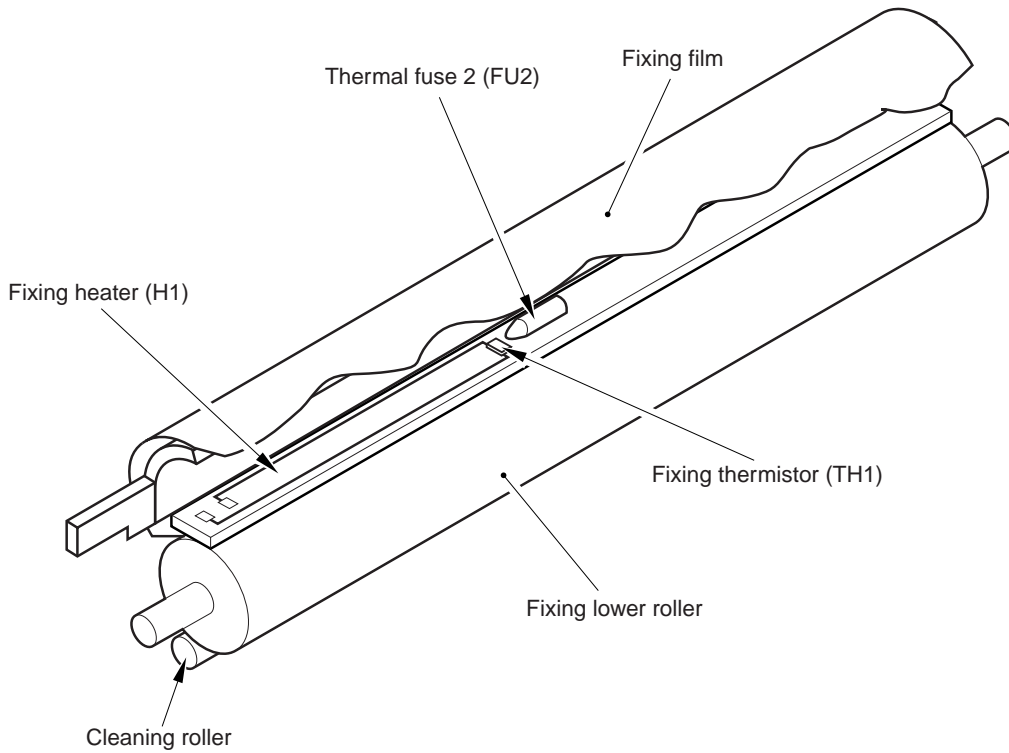


Figure 6-101

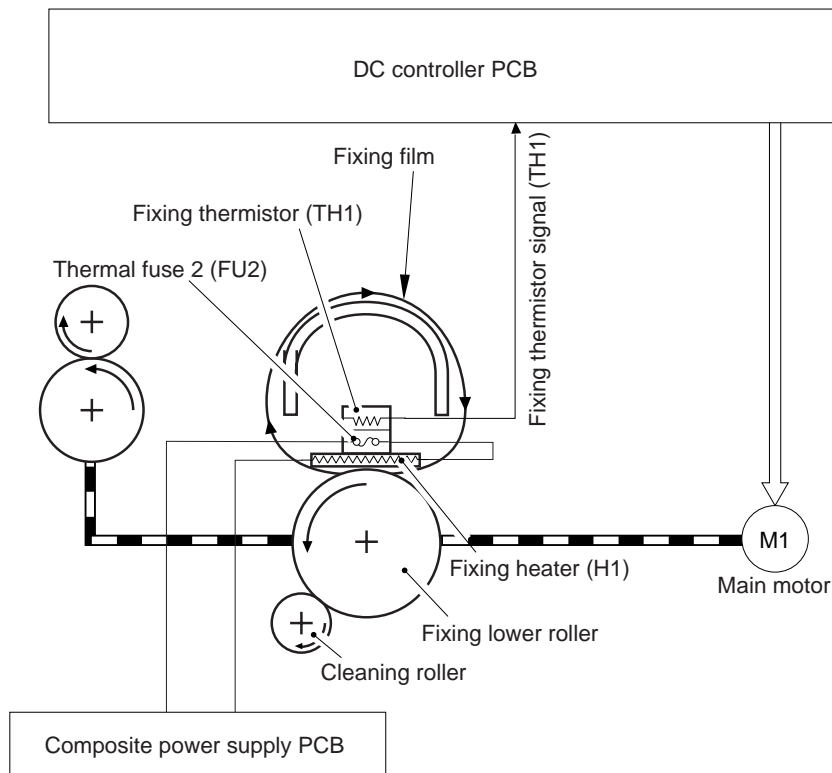


Figure 6-102

B. Controlling the Fixing Temperature

1. Outline

The fixing lower roller of the fixing assembly is driven by the main motor (M1). When the fixing lower roller rotates, the film of the fixing upper unit starts to rotate in conjunction.

The fixing film is heated by the fixing heater (H1), which is a flat heater mounted in contact with the inner side of the film. The fixing heater is equipped with a thermistor (TH1), which sends the fixing thermistor signal (TH1) to the microprocessor (Q101) on the DC controller PCB; in response, the microprocessor controls the fixing heater duty signal (HEAT_PWM) to vary the power supplied to the heater by way of controlling the temperature of the fixing heater.

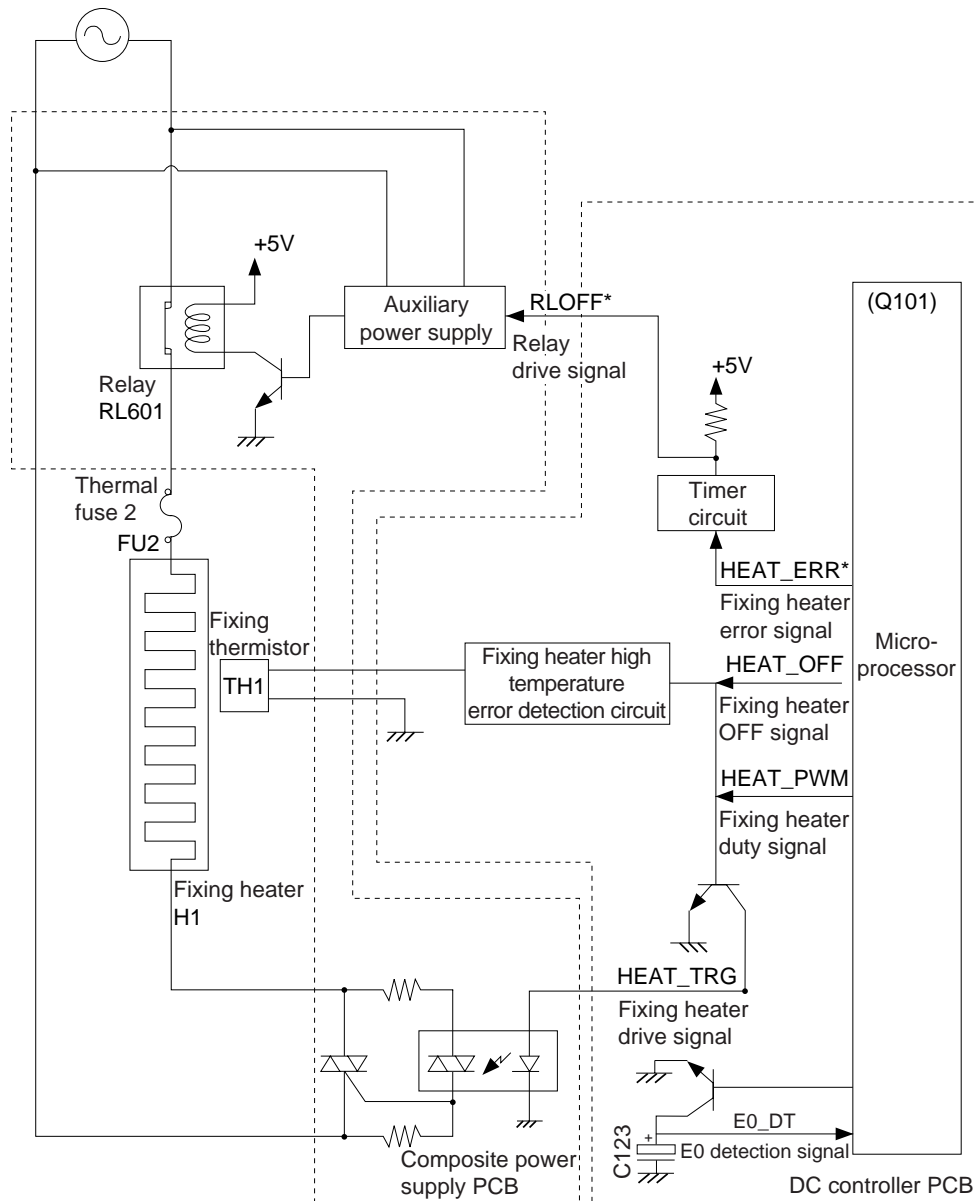


Figure 6-103

2. Controlling the Temperature of the Fixing Heater

The temperature of the fixing heater is switched according to the following two parameters:

- Temperature of the fixing heater when the Copy Start key is pressed.
- Number of copies to make in continuous copying mode

Table 6-102 shows the temperature of the fixing heater when the Copy Start key is pressed (as detected by the thermistor TH1) and the temperatures to which the fixing heater is controlled according to the number of copies made in continuous mode.

| | Heater temperature when the Copy Start key is pressed | Number of copies | Control temperature (°C) |
|---|---|------------------|--------------------------|
| 1 | Less than 100°C | 1 | 200 |
| | | 2 ~ 9 | 195 |
| | | 10 ~ 29 | 190 |
| | | 30 ~ 39 | 185 |
| | | 40 ~ 49 | 180 |
| | | 50 ~ 59 | 175 |
| | | 60 ~ | 170 |
| 2 | 100°C or more and less than 120°C | 1 ~ 9 | 190 |
| | | 10 ~ 19 | 186 |
| | | 20 ~ 29 | 180 |
| | | 30 ~ 39 | 175 |
| | | 40 ~ | 170 |
| 3 | 120°C or more | 1 ~ 9 | 180 |
| | | 10 ~ 19 | 175 |
| | | 20 ~ | 170 |

Table 6-102

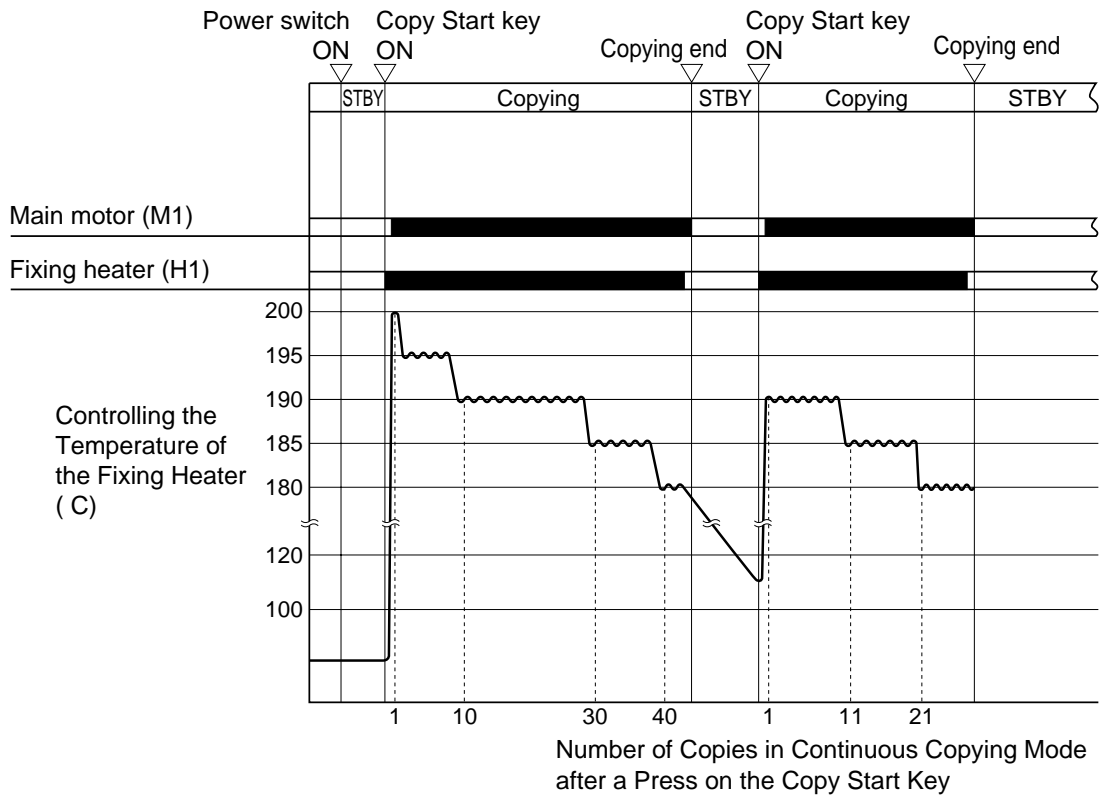


Figure 6-104

3. Controlling the Temperature Supplied to the Fixing Heater

The temperature of the fixing heater is controlled by controlling the power supplied to the fixing heater, and the power to the fixing heater is controlled using a phase control method.

The microprocessor on the DC controller PCB controls the timing at which the fixing heater duty signal (HEAT_PWM) is generated so that power suited to the target temperature of the fixing heater may be supplied (phase control).

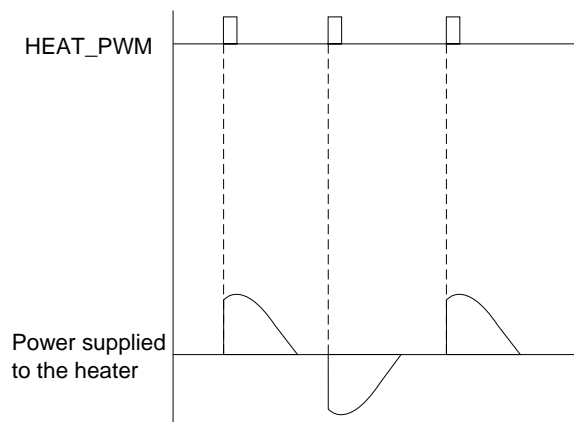


Figure 6-105

4. Correcting the Variation in the Resistance of the Fixing Heater

The characteristics of the flat heater used as the fixing heater vary from heater to heater because the production method. A discrepancy in resistance, if left alone, will not enable correct control of the fixing heater.

The machine makes correction in relation to the selected level of resistance (from three settings), and corrects it based on the readings obtained by the microprocessor.

Caution:

The level of resistance of the fixing heater is selected by an appropriate combination of the jumper wires connected to the connector of the fixing thermistor (TH1) and the delivery sensor (PS3).

The best level is selected at the factory when the fixing assembly is assembled. Do not change the combination of jumper wires.

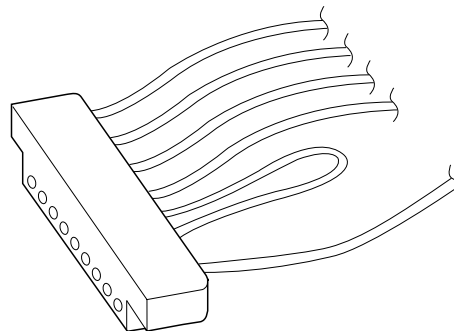


Figure 6-106

5. Controlling the Power Supplied to the Fixing Heater between Sheets

When the copying speed is controlled to 6 cpm to prevent overheating of the copyboard, the temperature of the fixing lower roller tends to increase because of the increased sheet-to-sheet distance. To prevent possible problems, power to the fixing heater is stopped between sheets when the copying speed is controlled to 6 cpm.

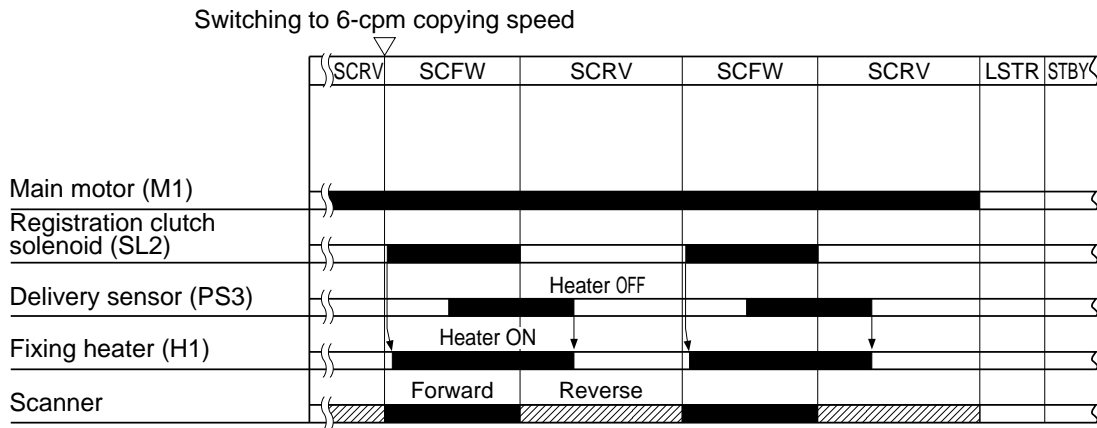


Figure 6-107

6. Protective Functions

The machine is equipped with the following protective functions to prevent malfunction of the fixing heater.

a. Thermistor (TH1)

The microprocessor on the DC controller PCB monitors the voltage of the thermistor (TH1); if an abnormally high or low temperature is detected, the microprocessor sends the fixing heater error signal (HEAT_ERR*) to the timer circuit and, at the same time, indicate an error code (E000 through E003).

In response, the timer circuit sends the relay drive signal (RLOFF*) to the auxiliary power supply in about 1.2 sec after it has received the fixing heater error signal (HEAT_ERR*).

The auxiliary power supply turns off the relay (RL601) to turn off the power. Then, the data of 'E0' (associated with the heater) is retained so as to indicate 'E0' when the power is turned on the next time.

'E0' is backed up for about 5 min. After 'E000' through 'E003' is indicated in the control panel and the power is turned off, the machine will indicate 'E0' in the control panel if the power switch is turned on within 5 min, not recognizing a press on the Copy Start key. If the Copy Start key is pressed after about 5 min, however, a press on the Copy Start key will be recognized.

If an error is detected in relation to the heater during copying operation, the machine will indicate 'E000' through 'E003' in the control panel once again and turn off the power.

Related Error Code

E000

- The temperature detected by the thermistor (TH1) is not 65°C in 1.5 sec after the Copy Start key is pressed.
- The temperature detected by the thermistor (TH1) is not 150°C in 4 sec after the Copy Start key is pressed.

E001

- The temperature detected by the thermistor (TH1) is 230°C or more.
- The temperature detected by the thermistor (TH1) is higher than the control temperature by 30°C or more.
- The thermistor (TH1) has detected an increase in temperature of 100°C or more in 1 sec.
- The thermistor (TH1) has detected an increase in temperature of 40°C or more after it detected 100°C in standby state.
- E0 detection signal (E0_DT) has been detected twice in succession.

E002

The temperature detected by the thermistor (TH1) is 150°C or higher and, thereafter, maximum power has been supplied to the fixing heater for 10 to 14 sec during copying operation.

E003

The temperature detected by the thermistor (TH1) is 160°C and then 150°C or lower during copying operation.

b. Thermal Fuse (FU2)

If the temperature around the thermal fuse exceeds 228°C and remains so for a specific period of time, the thermal fuse will blow to cut the power to the fixing heater.

II. DISASSEMBLY/ASSEMBLY

As needed, disassemble/assemble the machine with the following in mind:

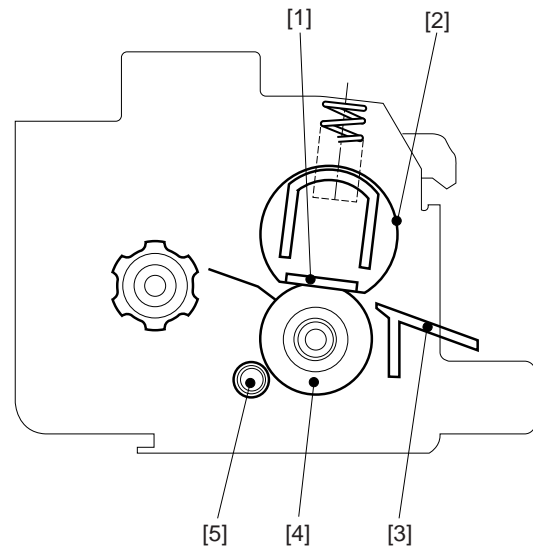
1. **▲** Before starting the work, turn off the power switch and disconnect the power plug for safety.
2. Unless otherwise instructed, assemble the parts by reversing the steps used to disassemble it.
3. Identify the screws by type (length, diameter) and location.
4. Use the washers where necessary. (The screws used to mount the grounding wire and Varistors come with a washer to ensure electrical continuity.)
5. As necessary, cut the harness band.
6. As a rule, do not operate the machine with any of its part removed.
7. A few of the screws used are special screws (with wider thread intervals). Do not use any screws indiscriminately.

A. Fixing Assembly

1. Construction

Caution:

1. The fixing film is made from a special material. Do not touch it or subject it to dust.
2. The machine does not have a mechanism used to adjust the roller pressure.



- | | |
|-------------------|-------------------------|
| [1] Fixing heater | [4] Fixing lower roller |
| [2] Fixing film | [5] Cleaning roller |
| [3] Inlet guide | |

Figure 6-201

2. Removing the Fixing Assembly

- 1) Remove the front lower cover.
(See Chapter 7.III.A.2. "Removing the Front Lower Cover.")
- 2) Remove the screw [1], and free the two hooks [2]; then, detach the power supply cover [3].

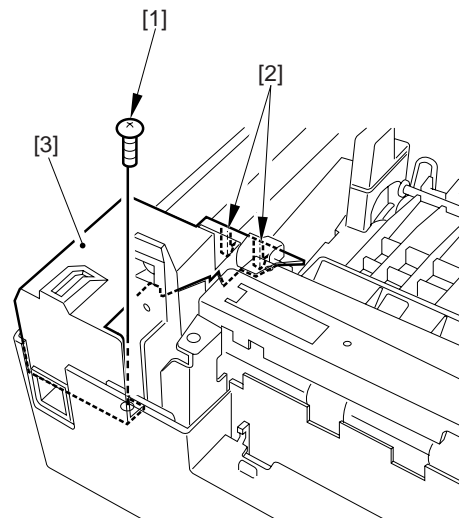


Figure 6-202

- 3) Remove the screw [4], and disconnect the connector [5].

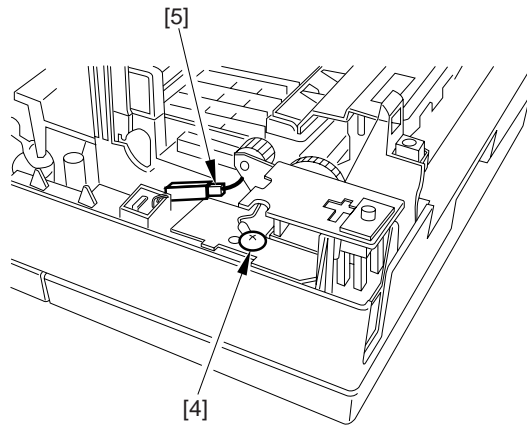


Figure 6-203

- 4) Remove the two screws [6], and disconnect the connector [7]; then, detach the fixing assembly [8] by turning it in the direction of the arrow.

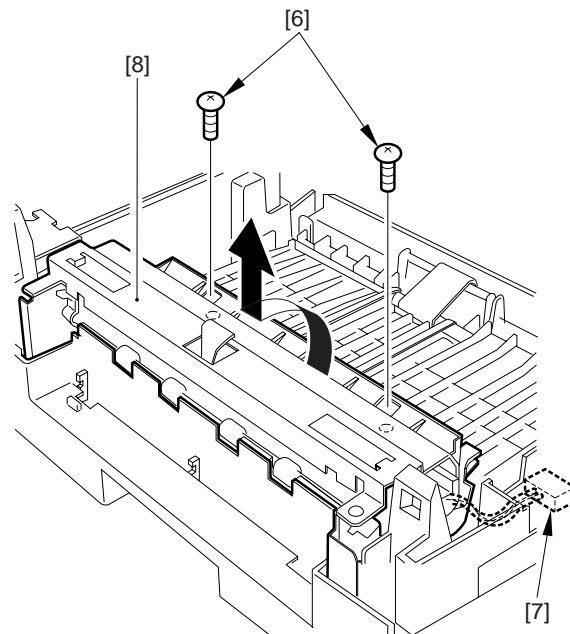


Figure 6-204

3. Removing the Fixing Lower Roller

- 1) Remove the fixing assembly.
(See 2. "Removing the Fixing Assembly.")
- 2) Remove the two screws [1], and free the two hooks [2]; then, detach the fixing upper stay [3] by turning it in the direction of the arrow.

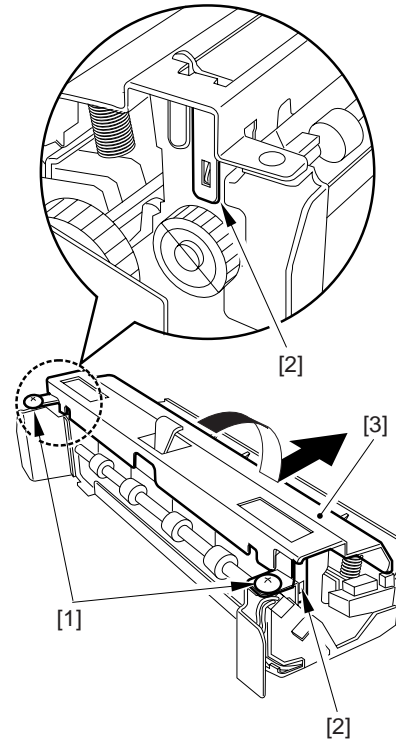


Figure 6-205

- 3) Detach the harness band [4] from the side plate, and remove the fixing upper unit [5].

Caution:

Do not disassemble the fixing film and the fixing heater. They cannot be replaced on their own.

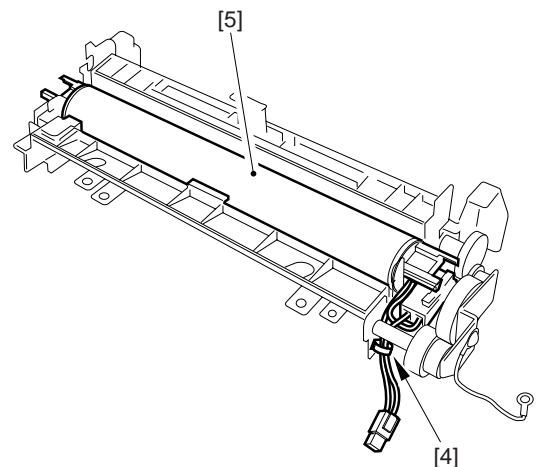


Figure 6-206

- 4) Remove the fixing lower roller [6] together with the gear.

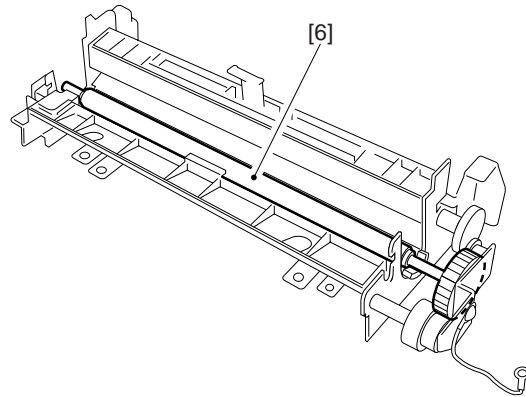


Figure 6-207

4. Removing the Cleaning Roller

- 1) Remove the fixing lower roller.
(See 3. "Removing the Fixing Lower Roller.")
- 2) Remove the cleaning roller [1] together with the bushing.

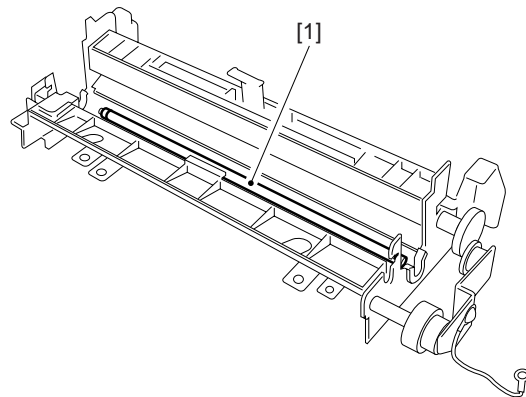


Figure 6-208

CHAPTER 7

EXTERNALS/AUXILIARY MECHANISMS

This chapter shows the machine's external parts, and explains the principles used for the machine's various control mechanisms in view of the functions of electrical and mechanical units and in relation to their timing of operation. It also shows how these units may be disassembled/assembled and adjusted.

| | | | |
|---|-----|---|------|
| I. FANS | 7-1 | III. DISASSEMBLY/ASSEMBLY | 7-7 |
| II. POWER SUPPLY SYSTEM | 7-3 | A. External Covers | 7-8 |
| A. Outline of the Power Supply System | 7-3 | B. Control Panel | 7-15 |
| B. Power Supply Circuit | 7-4 | C. Copyboard Glass | 7-16 |
| C. Detecting an Error on the Composite Power Supply PCB | 7-6 | D. Main Motor/Main Drive Assembly | 7-17 |
| D. Protecting the Power Supply Circuit | 7-6 | E. Electrical System | 7-21 |

I. FANS

The machine is equipped with two fans serving to discharge ozone or cool its inside.

The heat exhaust fan is driven directly by the main motor (M1; through a belt and a gear), and is designed to rotate at all times while the main motor is rotating.

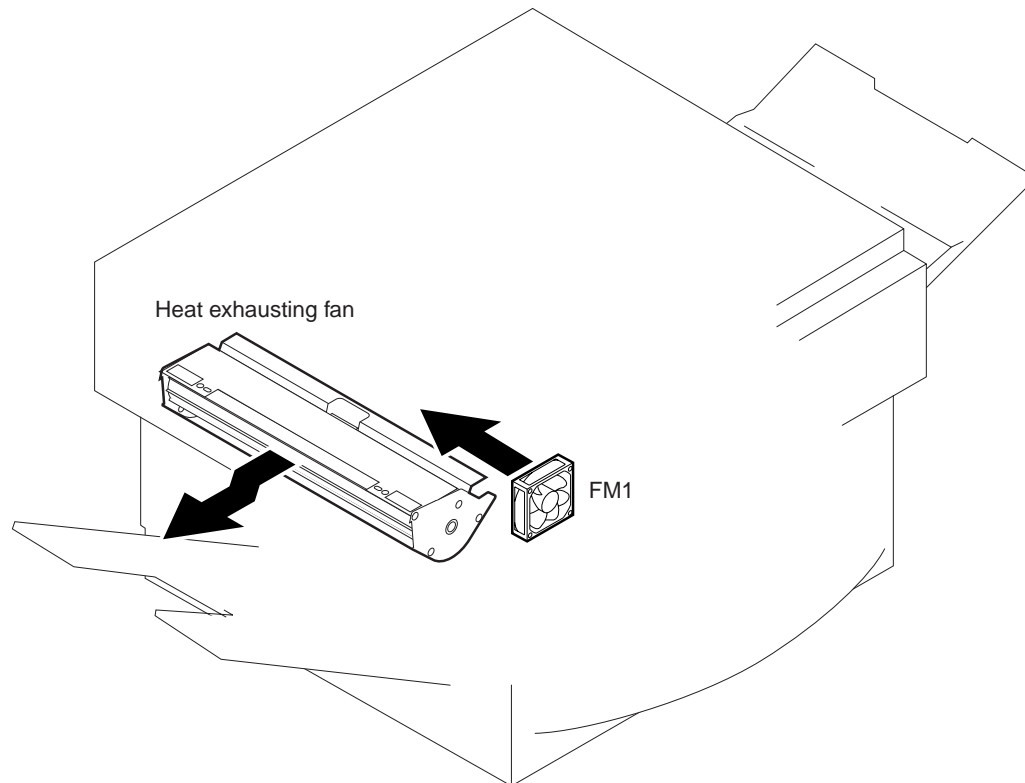
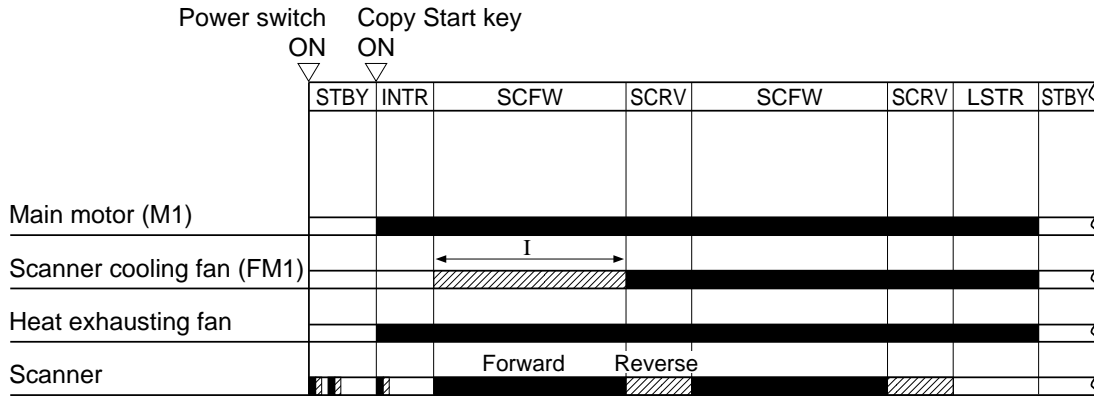


Figure 7-101

The scanner cooling fan (FM1) is turned on and off according to the temperature detected by the scanner thermistor (TH2).

If the reading by the thermistor is 37.5°C or higher and the copying speed reaches 6 cpm, the fan starts to rotate. If the reading is lower than 37.5°C, on the other hand, the fan will not rotate if no more than one copy is made or while making the first copy of a continuous copying job. (It rotates when making the second and subsequent copies of a continuous copying job.)



I: If 6-cpm copying speed control is executed starting with the first copy, the fan will rotate.

Figure 7-102

II. POWER SUPPLY SYSTEM

A. Outline of the Power Supply System

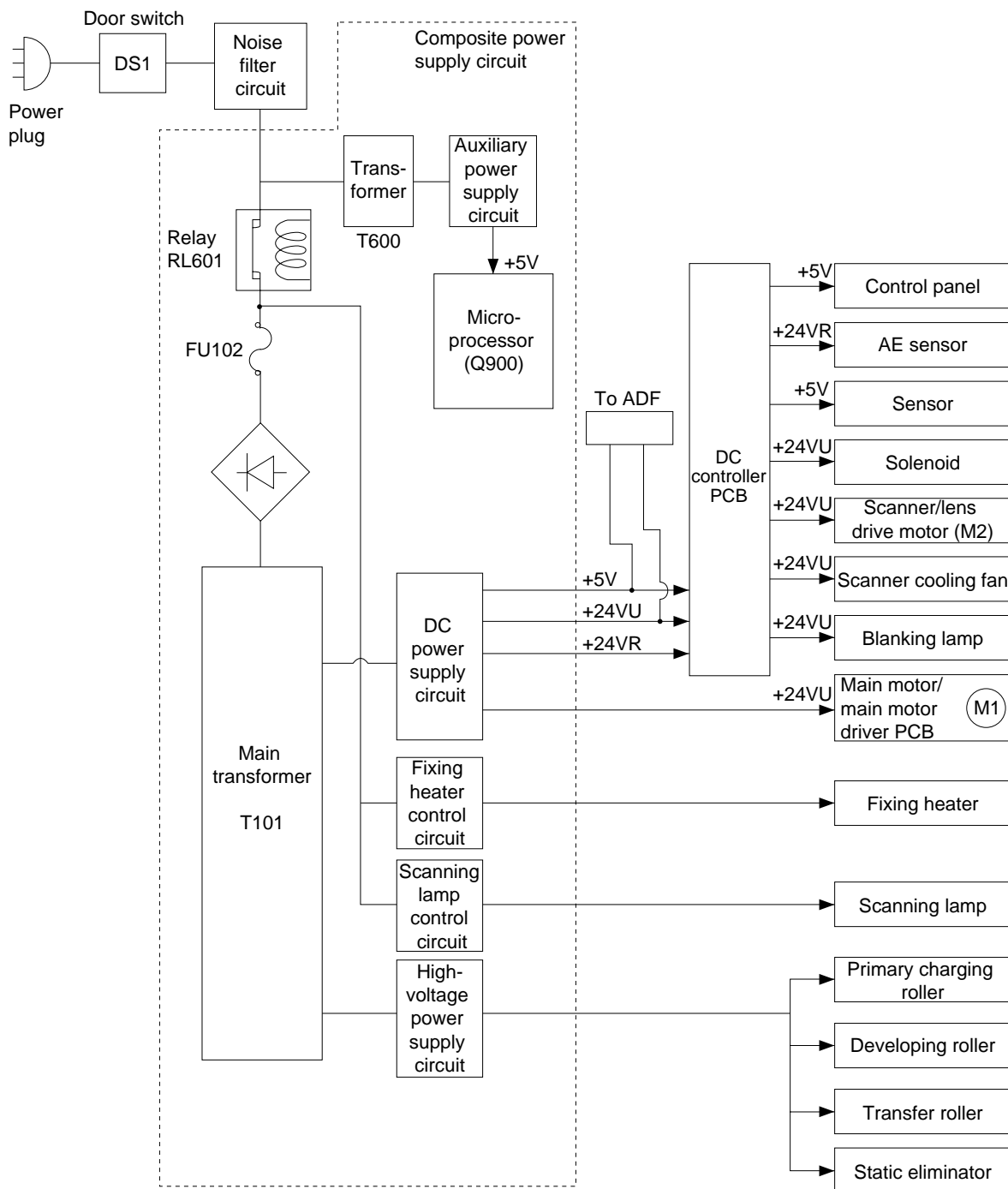


Figure 7-201

B. Power Supply Circuit

The machine's power supply consists of a composite power supply circuit in which a DC power supply, scanning lamp power supply, and high-voltage power supply are integrated on a single board. It also possesses a microprocessor for exchanges of various data with the machine's DC controller PCB.

The machine's power switch is a soft switch, and the machine is equipped with an auxiliary power supply used to operate the switch. The auxiliary power supply provides the microprocessor (Q900) with +5 V as long as the door switch (DS1) remains on.

AC power is supplied to the DC power supply when the power switch on the control panel is turned on. In response, the DC power supply provides the DC controller PCB with +5 V, +24 VR, and +24 VU.

When the power switch is turned off, the power to the DC controller PCB is cut off. To back it up against 'E000', 'E001', 'E002', and 'E003', the machine is equipped with a DC capacitor as part of the DC controller circuit.

When 'E000', 'E001', 'E002', or 'E003' occurs, the capacitor (C123) collects electric charge; if charge exists in the capacitor while the power switch is on, the machine indicates 'E0' on the control panel to indicate that an error related to the fixing heater has occurred.

Note:

The backup capacitor (C123) retains electric charge for about 5 min after the power switch is turned off.

Reference:

The tolerances in DC voltage are as follows:

- +5 V $\pm 5\%$
- +24 VR $\pm 5\%$
- +24 VU -10.0%, +12.5%

For +24 VR, two types of voltage are used:

- During copying, +24 V $\pm 5\%$
- During standby, +18 V $\pm 10\%$

However, the above assume that the deviations in AC input are -15%, +10%.

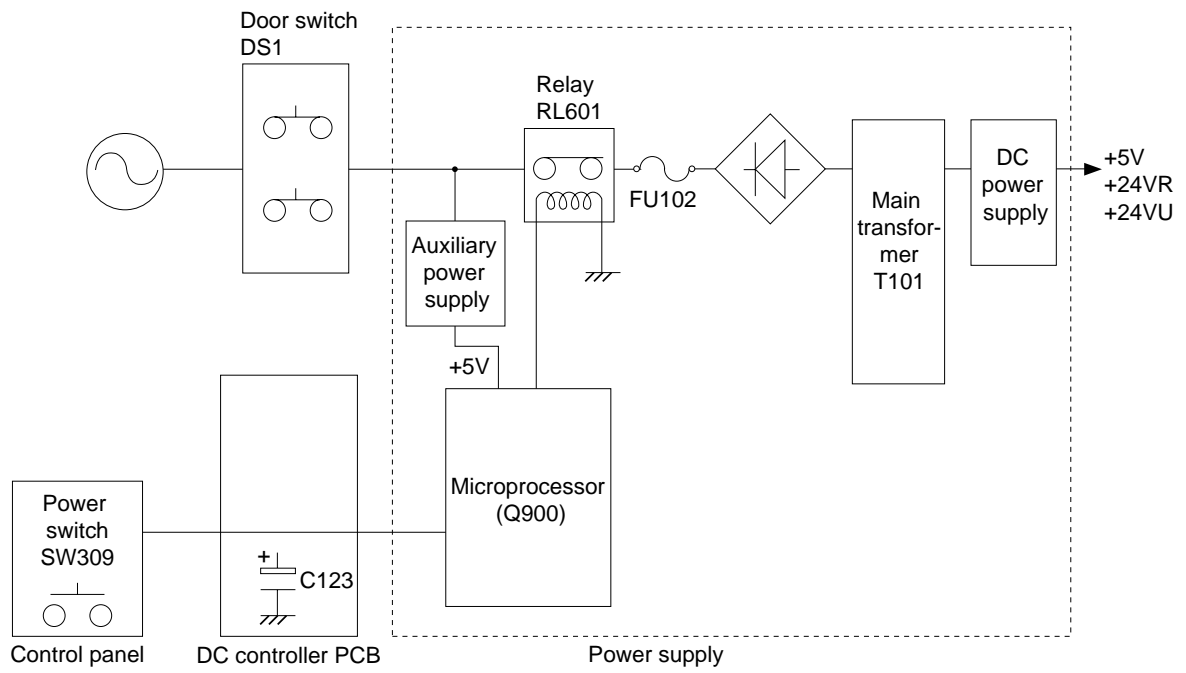


Figure 7-202

C. Detecting an Error on the Composite Power Supply PCB

The machine's composite power supply PCB is equipped with a self diagnostic function to check each power output and the communication with the DC controller PCB using the microprocessor (Q900) mounted on it.

If any of the following errors occurs, the microprocessor will exchange signals with the DC controller PCB, and will indicate the result of self diagnosis on the control panel.

1. Detecting an Over-Current in the Low-Voltage System

If an over-current is detected because of a fault in a DC load, the composite power supply PCB will turn off the relay (RL601) to cut the AC input.

2. Detecting a Fault in the High-Voltage Control Value

If a deviation is found between the setting value and the actual value is detected in any of the following voltages, the composite power supply will indicate 'E064' on the control panel.

- Primary charging DC bias
- Developing DC bias
- Transfer bias

3. Detecting a Fault in the Low-Voltage Control Value

If a deviation is detected between the setting value and the actual control value in +24 V (DC output), the composite power supply PCB will indicate 'E803' on the control panel.

4. Fault in the Communication with the DC Controller

If the DC controller PCB detects a fault in the communication with the composite power supply PCB, 'E240' will be indicated on the control panel for about 4 sec, and then the relay (RL601) will be turned off to cut the AC input.

D. Protecting the Power Supply Circuit

The composite power supply PCB is equipped with an over-current detection function which turns on a protective mechanism to stop output if a load suffers a short-circuit.

If the output has stopped, it may be reset by opening the machine's top unit, correcting the load, and then turning the power switch back on.

Keep in mind, however, that repeated short-circuiting and resetting can blow the fuse (FU102).

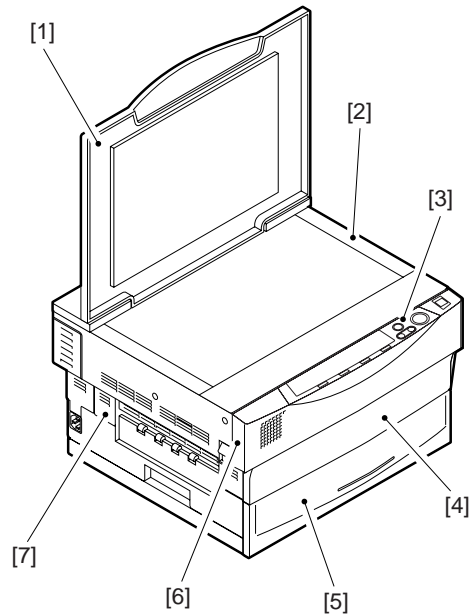
III. DISASSEMBLY/ASSEMBLY

As needed, disassemble/assemble the machine with the following in mind:

1. **▲** Before starting the work, turn off the power switch and disconnect the power plug for safety.
2. Unless otherwise instructed, assemble the parts by reversing the steps used to disassemble it.
3. Identify the screws by type (length, diameter) and location.
4. Use the washers where necessary. (The screws used to mount the grounding wire and Varistors come with a washer to ensure electrical continuity.)
5. As necessary, cut the harness band.
6. As a rule, do not operate the machine with any of its part removed.
7. A few of the screws used are special screws (with wider thread intervals). Do not use any screws indiscriminately.

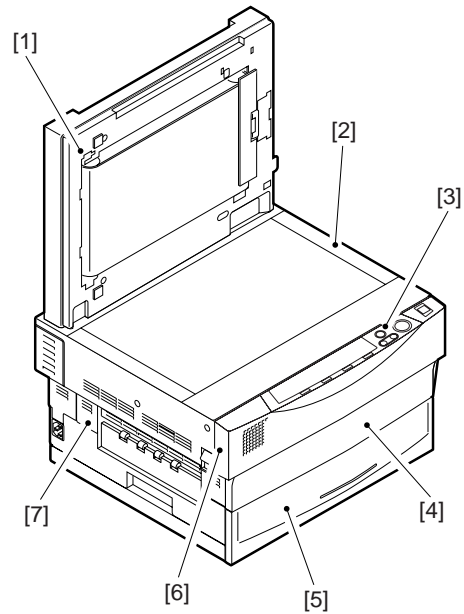
A. External Covers

For instructions on how to remove the ADF, see Chapter 8.



- | | |
|-----------------------|-----------------------|
| [1] Copyboard cover | [5] Cassette |
| [2] Top cover | [6] Front upper cover |
| [3] Control panel | [7] Left cover |
| [4] Front lower cover | |

Figure 7-301 (Copyboard type)



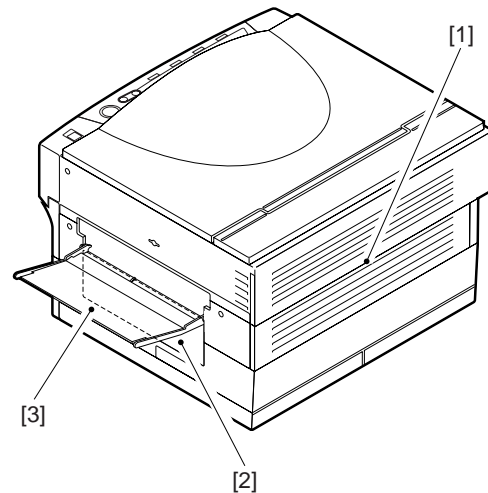
- | | |
|-----------------------|-----------------------|
| [1] ADF | [5] Cassette |
| [2] Top cover | [6] Front upper cover |
| [3] Control panel | [7] Left cover |
| [4] Front lower cover | |

Figure 7-302 (ADF type)

Note:

Remove the covers as necessary when cleaning, inspecting, or repairing the inside of the machine.

Those covers that may be detached from their own by mere removal of mounting screws are omitted from the discussions.



- | |
|----------------------|
| [1] Rear cover |
| [2] Right door |
| [3] Multifeeder unit |

Figure 7-303

1. Removing the Top Cover

- 1) Remove the copyboard cover or the ADF.
- 2) Open the machine's top unit.
- 3) Remove the two screws [1], and detach the front upper cover [2].

Caution:

A flexible cable for the control panel is connected to the front upper cover. Disconnect the cable from the DC controller.

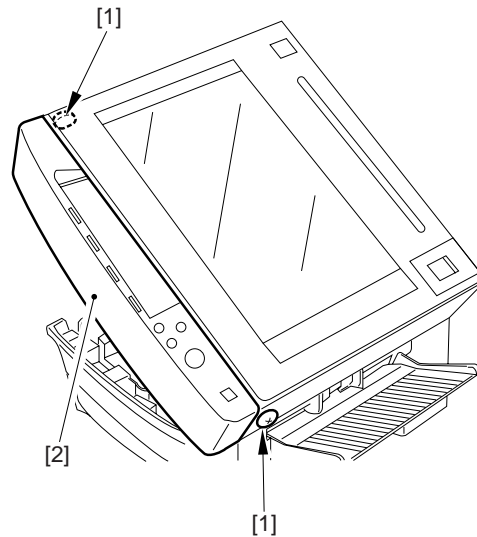


Figure 7-304

- 4) Free the two claws [3], and slide the left cover [4] to detach.

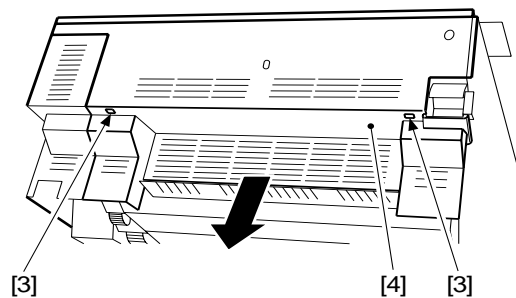


Figure 7-305

- 5) Remove the screw [5], and free the four claws [6]; then, detach the rear cover [7].

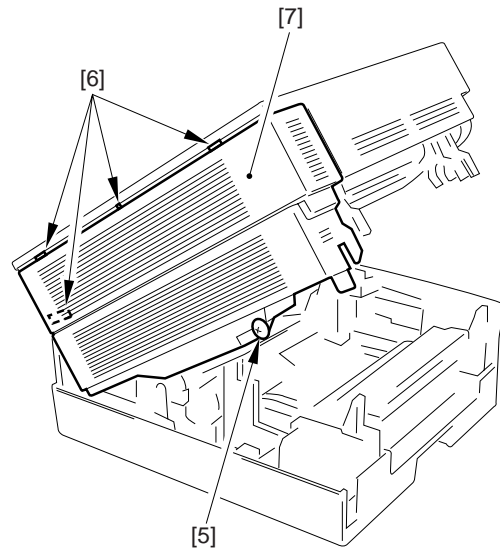


Figure 7-306

- 6) Remove the screw [8], and detach the copyboard cover foot retainer [9].

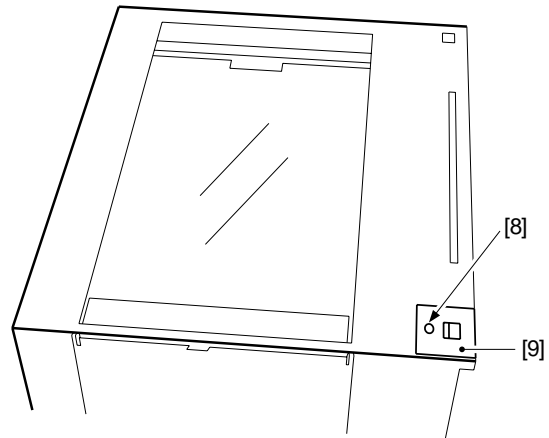


Figure 7-307

- 7) Free the two claw [10]; then lift the top cover [11] to detach.

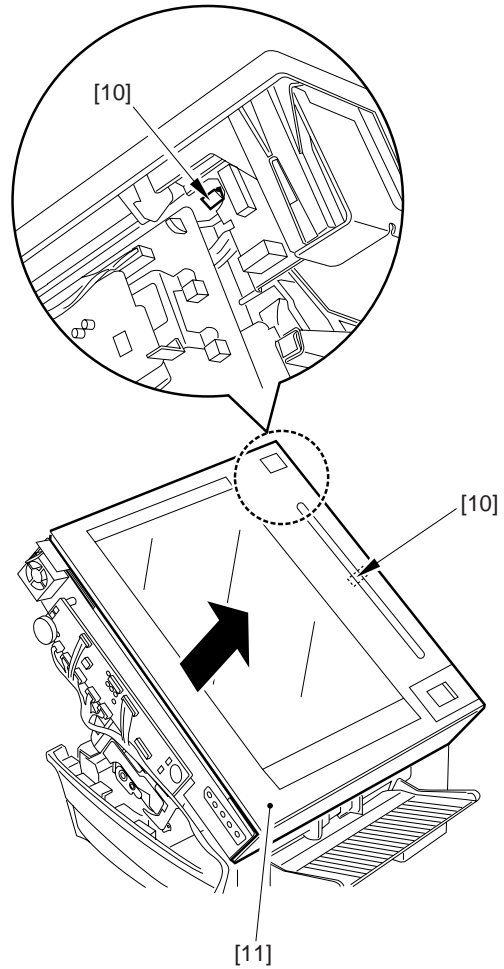


Figure 7-308

2. Removing the Front Lower Cover

- 1) Open the right door.
- 2) Remove the two screws [1], and detach the multifeder unit [2] (or the single-feeder unit).

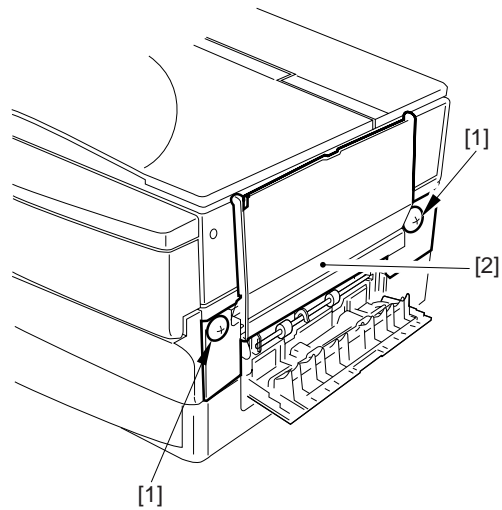


Figure 7-309

- 3) Open the machine's top unit.
- 4) Remove the two screws [3], and detach the front upper cover [4].

Caution:

A flexible cable for the control panel is connected to the front upper cover. Disconnect the cable from the DC controller.

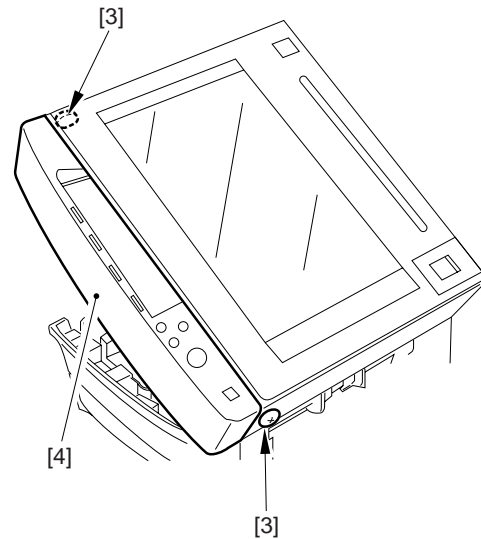


Figure 7-310

- 5) Remove the two screws [5] from the screw plate found at the bottom of the machine.

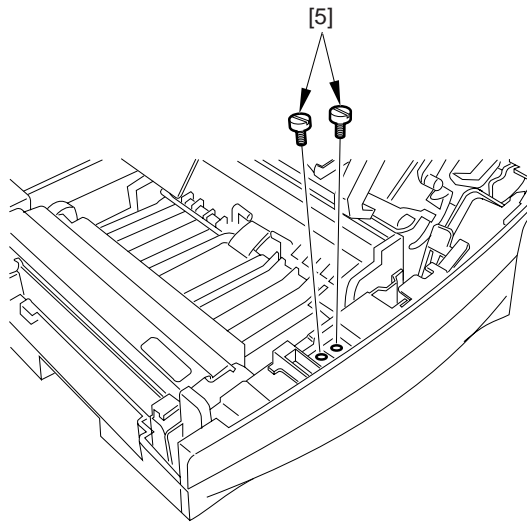


Figure 7-311

- 6) While freeing the five claws [6], detach the front lower cover [7].

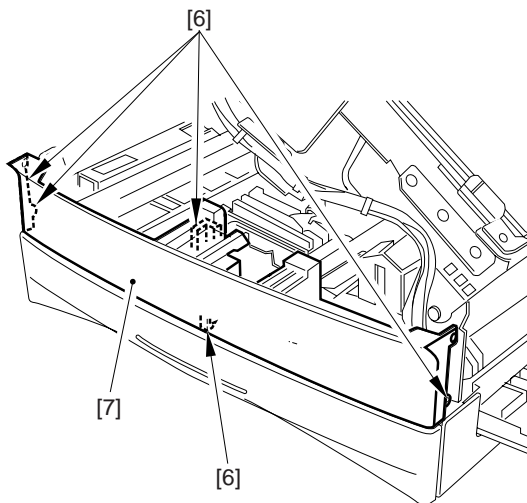


Figure 7-312

Caution:

When mounting the multifeder unit, be sure to perform the following first:

- 1) Turn on the power switch; then, select the multifeder as the source of paper, and press the Copy Start key.
- 2) When the pickup gear unit assembly has moved to its upper limit, turn off the power switch.
- 3) Mount the multifeder, and make one copy using it as the source of paper.

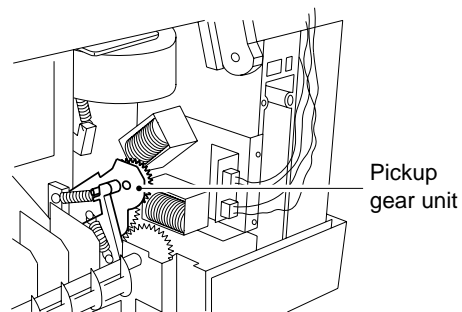


Figure 7-313

B. Control Panel

1. Removing the Control Panel

- 1) Open the machine's top unit.
- 2) Remove the two screws [1], and detach the front upper cover [2].

Caution:

A flexible cable for the control panel is connected to the front upper cover. Disconnect the cable from the DC controller.

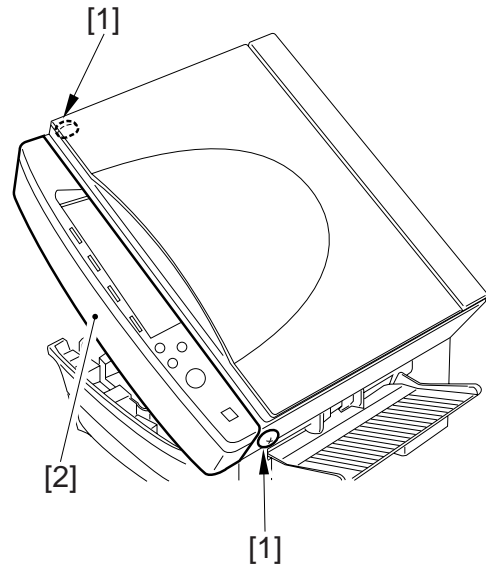


Figure 7-314

- 3) Free the claw [3], and remove the power supply switch assembly [4]. Move the copy density adjusting lever [5] to the farthest right, and free the four claws [6]; then, detach the control panel [7].

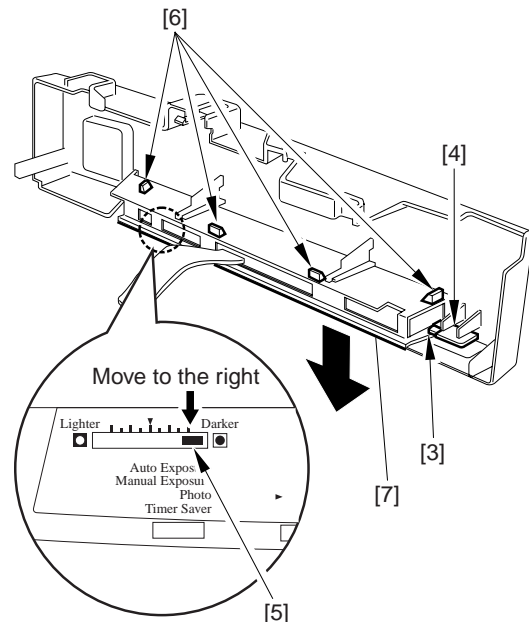


Figure 7-315

C. Copyboard Glass

1. Removing the Copyboard Glass

- 1) Remove the top cover. (See A.1. "Removing the Top Cover.")
- 2) Close the machine's top unit.
- 3) Remove the two screws [1], and detach the two support plates [2]; then, detach the copyboard glass [3].

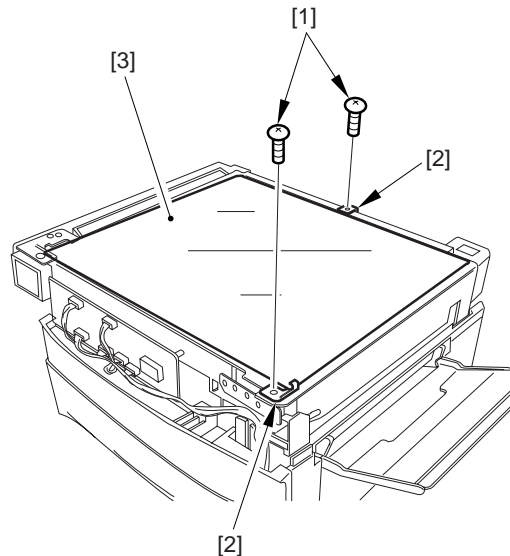


Figure 7-316

Note:

When mounting the copyboard glass, be sure that the grounding plate is on the side of its top edge. (ADF type only)

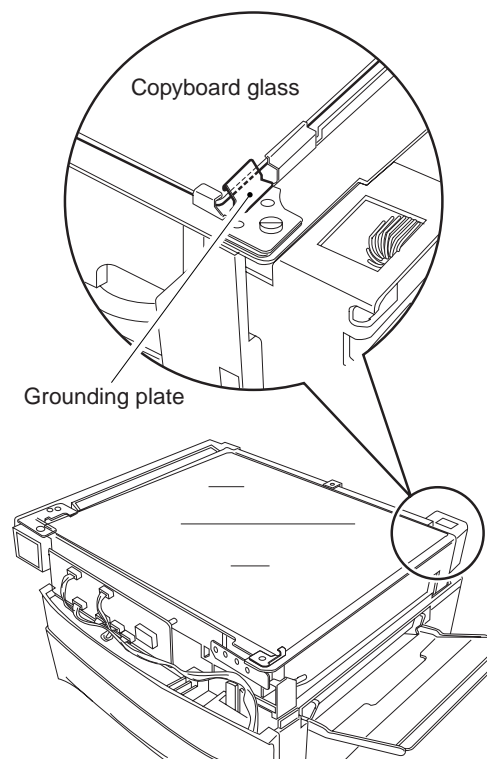


Figure 7-317

D. Main Motor/Main Drive Assembly

1. Removing the Main Motor Unit

- 1) Remove the drum cartridge.
- 2) Remove the composite power supply PCB.
(See E.2. "Removing the Composite Power Supply PCB.")
- 3) Remove the screw [1], and detach the high-voltage PCB [2].

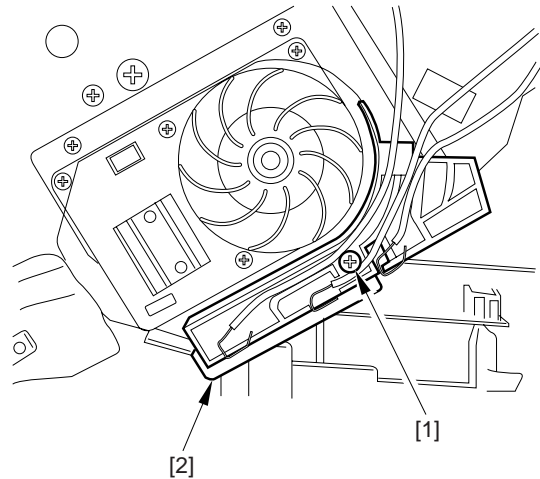


Figure 7-318

- 4) Remove the insulating sheet [3].

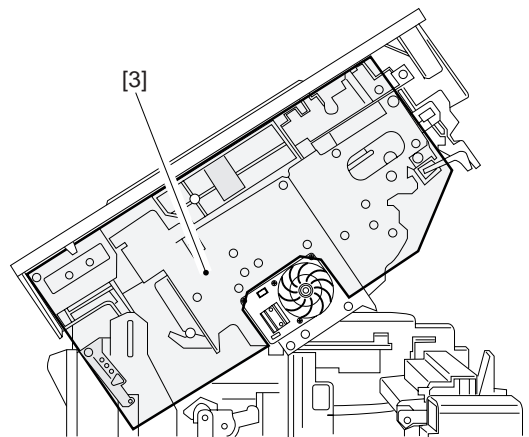


Figure 7-319

- 5) Detach the fan belt [4].

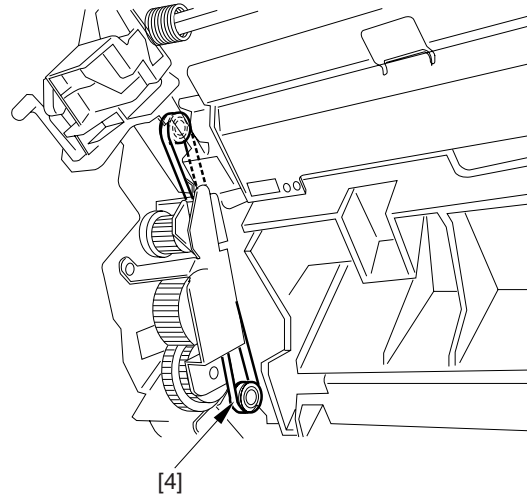


Figure 7-320

- 6) Remove the four screws [5], and detach the main motor unit [6].

Caution:

When installing the main motor unit, be sure to attach the fan belt.
After attaching the fan belt, make sure that the belt is free of twists.

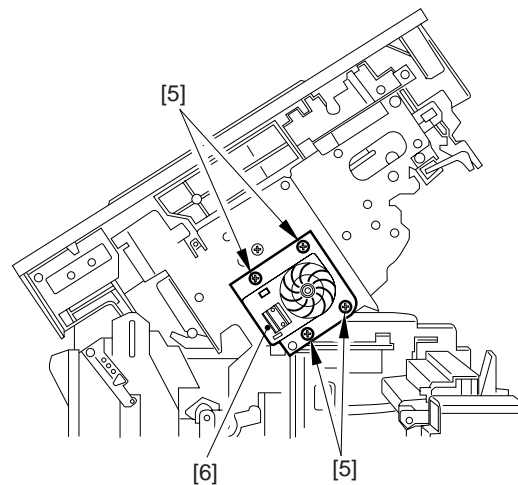


Figure 7-321

2. Removing the Main Drive Assembly

- 1) Remove the drum cartridge.
- 2) Remove the composite power supply PCB.
(See E.2. "Removing the Composite Power Supply PCB.")
- 3) Remove the screw [1], and detach the high-voltage PCB [2].

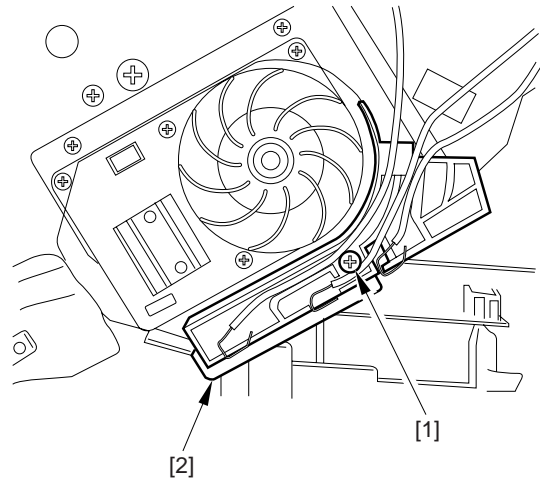


Figure 7-322

- 4) Remove the insulating sheet [3].

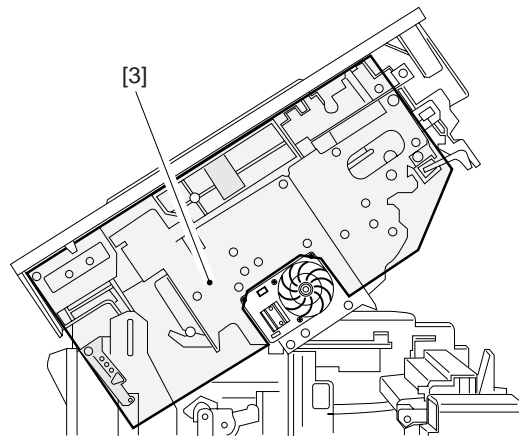


Figure 7-323

- 5) Detach the fan belt [4].

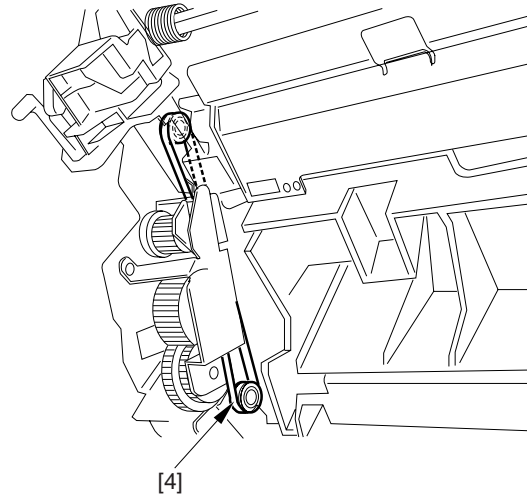


Figure 7-324

- 6) Remove the five screws [5], and detach the main drive assembly [6].

Caution:

When installing the main drive assembly, be sure to attach the fan belt. After attaching the fan belt, make sure that the belt is free of twists.

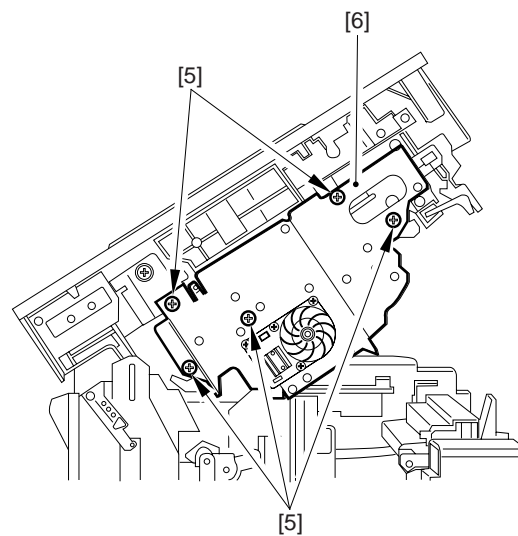


Figure 7-325

E. Electrical System

1. Removing the DC Controller PCB

- 1) Open the machine's top unit.
- 2) Remove the screw [1], and detach the front upper cover [2].

Caution:

A flexible cable for the control panel is connected to the front upper cover. Disconnect the cable from the DC controller.

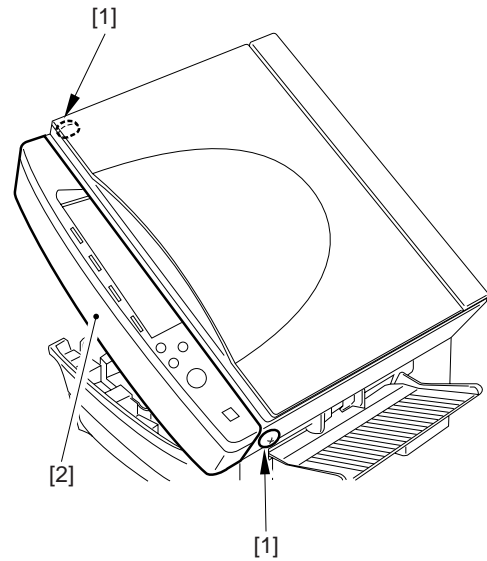


Figure 7-326

- 3) Disconnect all connectors from the DC controller PCB, remove the screw [3], and free the six claws [4]; then, detach the DC controller PCB [5].

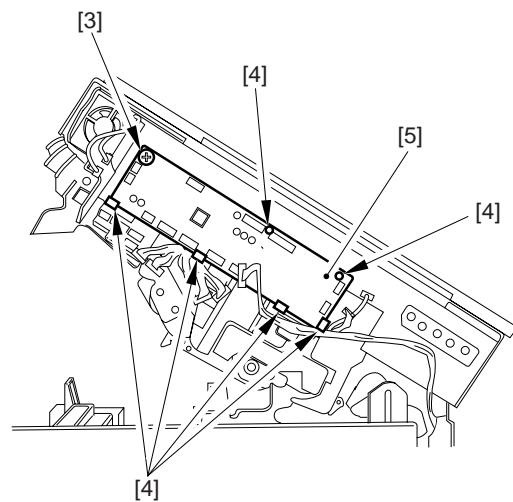


Figure 7-327

2. Removing the Composite Power Supply PCB

- 1) Remove the copyboard cover or the ADF.
- 2) Remove the left cover and the rear cover.
- 3) Remove the screw [1], and remove the copyboard cover foot retainer [2].

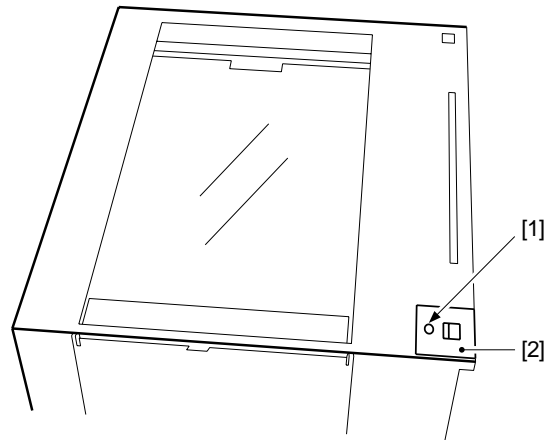


Figure 7-328

- 4) Disconnect the ten connectors [3] from the composite power supply PCB, and disconnect the connector [4] from the main motor assembly.

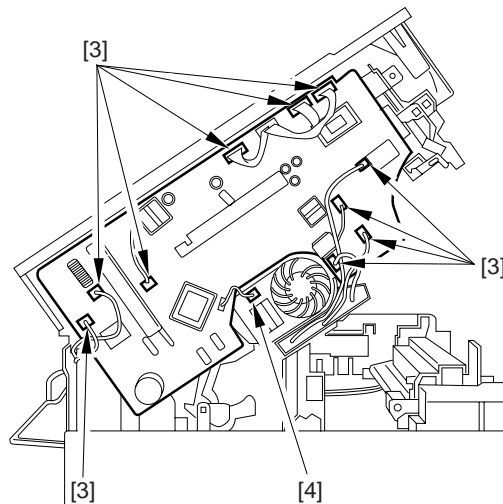


Figure 7-329

- 5) Remove the seven screws [5], and free the five claws [6]; then, detach the composite power supply PCB [7].

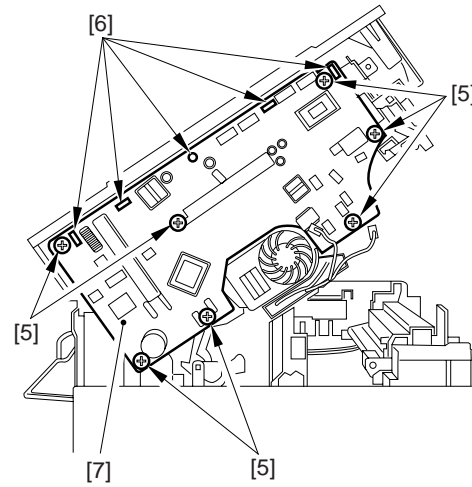


Figure 7-330

3. Points to Note When Handling the Composite Power Supply PCB

- 1) Some capacitors on the composite power supply hold charges when the machine's power supply is off.
Take extra care never to short the terminals of the capacitor whenever you have removed the composite power supply PCB.
- 2) When handling the PCB, hold its heat radiating plate (at the center) or its both edges. In particular, keep in mind that holding the area indicated by "⊘" can cause deformation or cracking of the board.

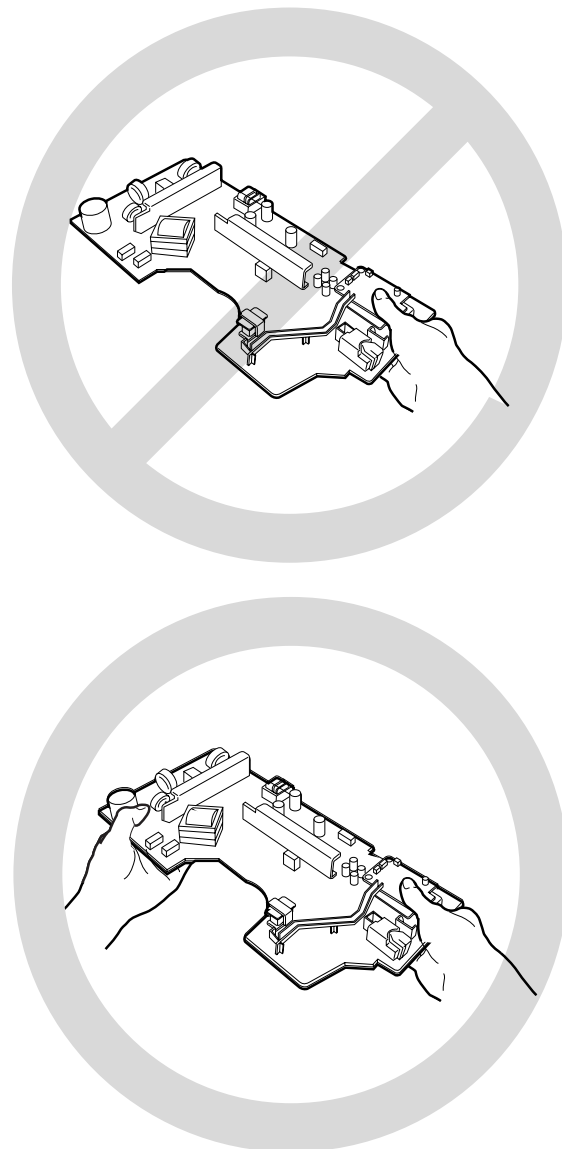


Figure 7-331

CHAPTER 8

ADF

| | | | |
|--|------|----------------------------------|------|
| I. ADF | 8-1 | H. Controlling the Belt Motor .. | 8-15 |
| A. Outline | 8-1 | I. Detecting Original Jams | 8-16 |
| B. Basic Construction | 8-2 | J. Power Supply | 8-17 |
| C. Basic Operations | 8-4 | II. DISASSEMBLY/ASSEMBLY | 8-18 |
| D. Detecting an Original | 8-6 | A. Removing the ADF | 8-19 |
| E. Pickup Operation | 8-8 | B. External Covers | 8-21 |
| F. Delivery | 8-12 | C. Drive System | 8-23 |
| G. Controlling the Pickup Motor | 8-14 | D. Feeding System | 8-26 |
| | | E. Electrical System | 8-33 |

I. ADF

A. Outline

The ADF picks up the originals stacked on the original tray starting with the topmost original, moves them through the copyboard, and delivers them.

See Figure 8-101 for an outline of the feeding route.

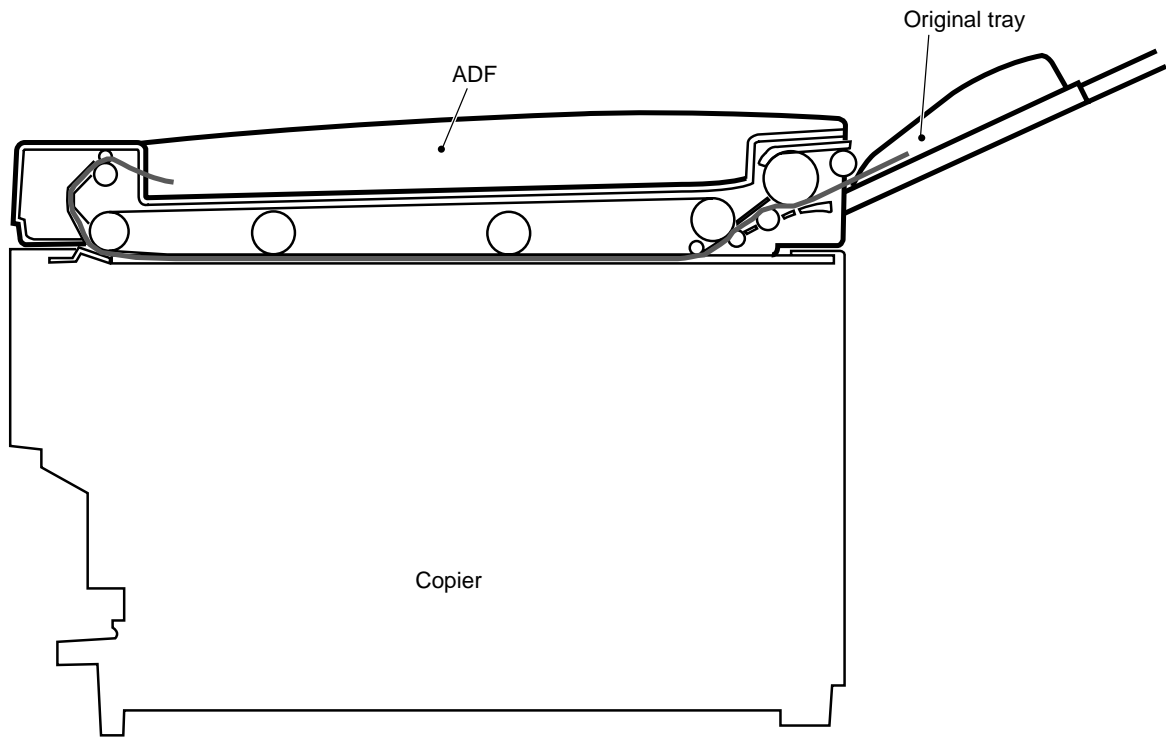


Figure 8-101

B Basic Construction

1. Outline of the Electric Circuitry

The ADF's major electrical mechanisms are controlled by the CPU on the ADF controller PCB.

The CPU on the ADF controller PCB reads the signals from the sensors and the copier and generates signals to drive the motor at such times as programmed in advance.

The copying modes selected on the copier are communicated to the ADF in serial, and the ADF communicates to the copier the state of feeding originals to the copier in serial. (It does not use an IC for communications.)

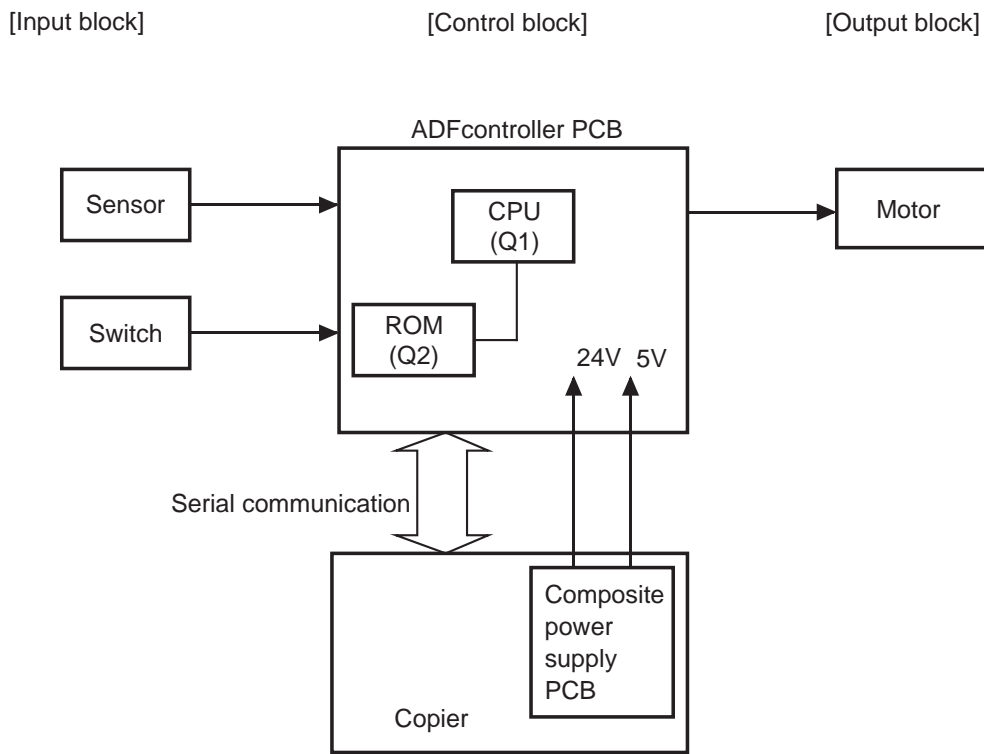


Figure 8-102

2. Inputs to and Outputs from the ADF Controller PCB

a. Inputs to and Outputs from the ADF Controller PCB (1/1)

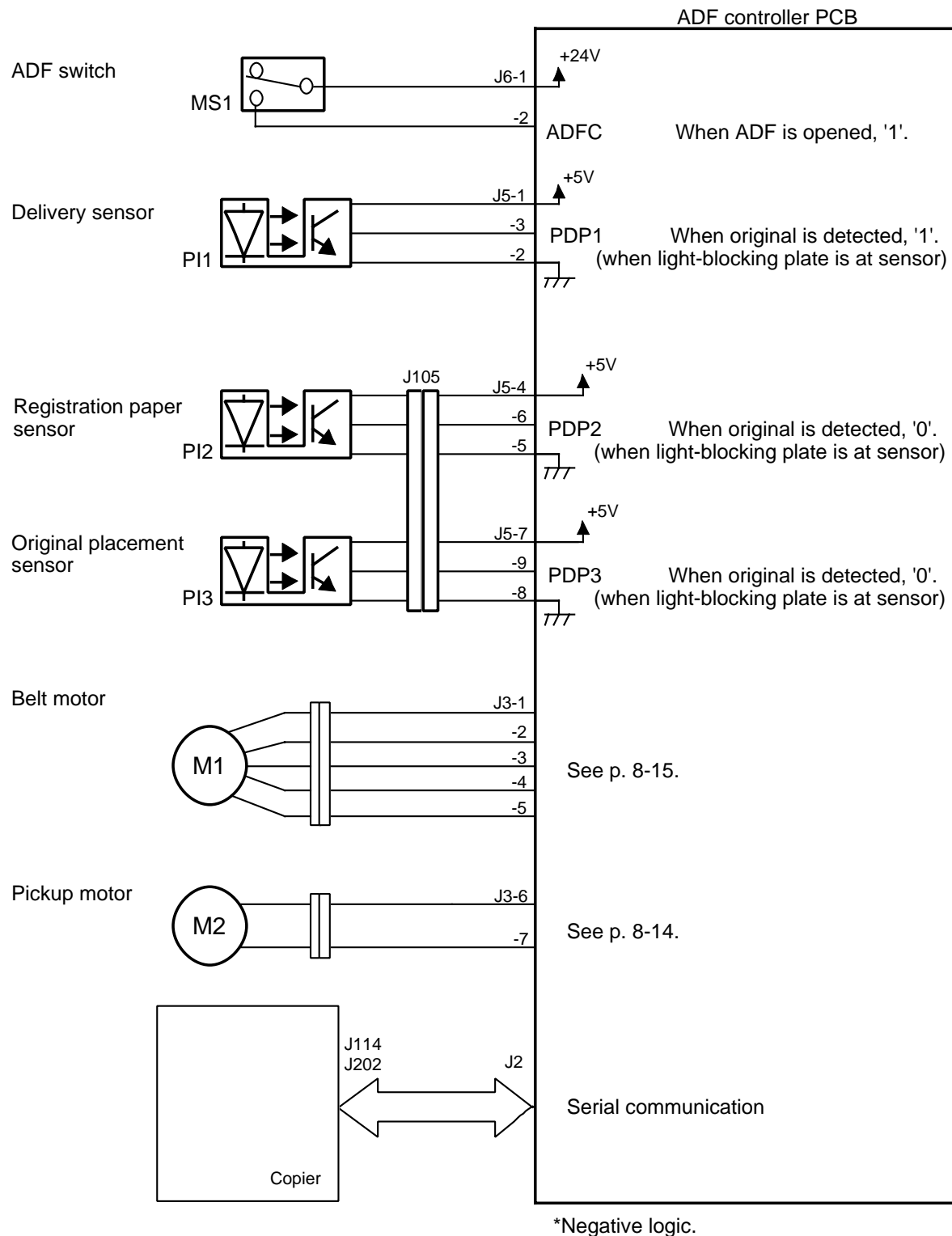


Figure 8-103

C. Basic Operations

1. Outline

The ADF uses two motors for picking up and delivering originals. The pickup motor (M2) is used to pick up originals, and the belt motor (M1) is used to move, stop, and deliver originals.

Further, the ADF is equipped with three sensors for monitoring the movement of originals. The ADF is designed to accommodate one-sided original copying mode only.

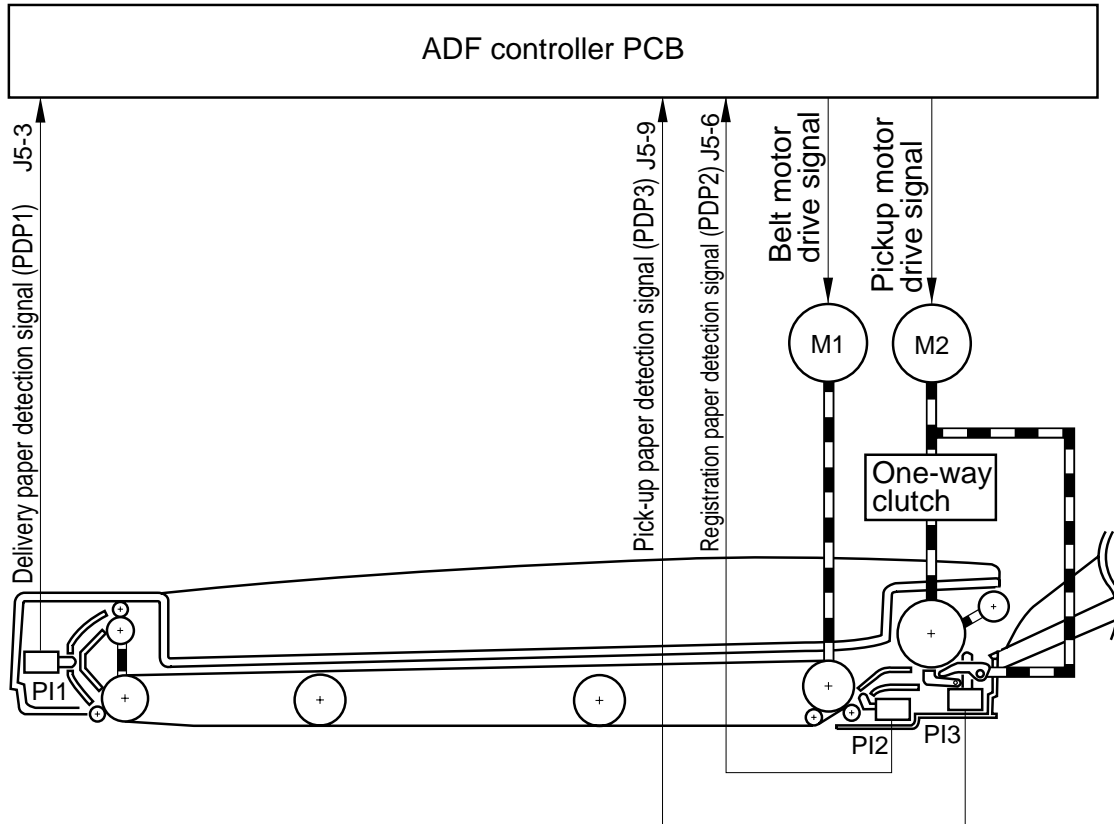


Figure 8-104

2. One-Sided Original Mode

The ADF picks up originals stacked on the original tray starting with the topmost original; after it picks up an original, it places it on the copyboard glass for copying, moves it away from the copyboard glass, and delivers it to the copyboard glass.

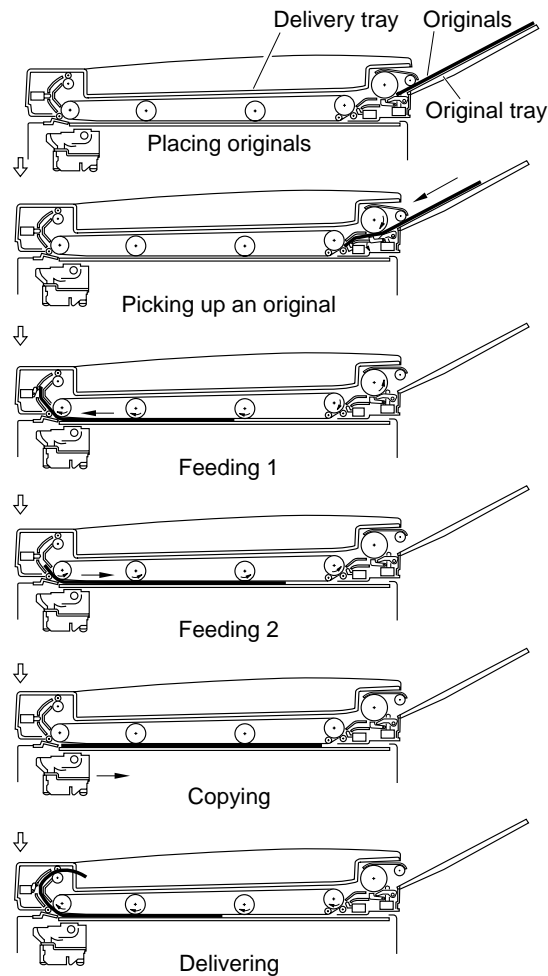


Figure 8-105

D. Detecting an Original

1. Outline

The ADF's original detection mechanism has the following two functions:

1. Detecting the Presence/Absence of an Original
Checks whether there is an original on the original tray.
2. Identifying the Length of the Original
Checks the length of the original placed on the original tray.
3. Detecting the Presence/Absence of an Original

The original placement sensor (PI3) is used to check the presence/absence of an original.

When an original is placed on the original tray, the original placement sensor (PI3) sends the original detection signal (PDP3) to the ADF controller PCB in response to the movement of the detecting lever away from the sensor.

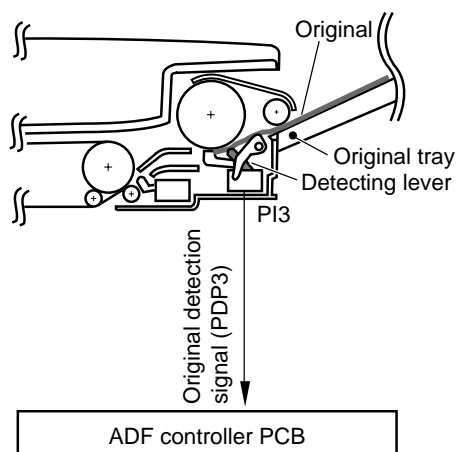


Figure 8-106

2. Identifying the Length of the Original

The registration paper sensor (PI2) is used to identify the length of the original, if any.

The ADF controller computes the length of the original based on the time it takes for the original to move past the registration paper sensor (PI2).

Using the result of the computation, the ADF controller determines whether the size of the original is A4/LTR or smaller or LGL, thereby switching to the appropriate ADF operation.

Table 8-101 shows the lengths of originals that determines ADF operation sequence.

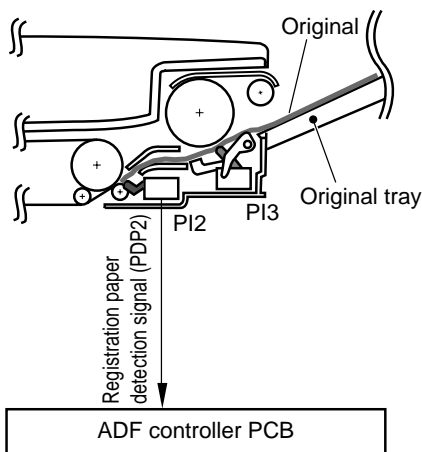


Figure 8-107

Original Lengths and Operation Sequences

| Length | Sequence |
|--------|----------------------|
| ~313cm | For A4/LTR originals |
| 314cm~ | For LGL originals |

Table 8-101

E. Pickup Operation

1. Operation

When an original is placed on the original tray and the Copy Start key is pressed, the following sequence of operations takes place:

1 Preparing for PickUp Operation

When an original is placed on the original tray, i.e., the original placement sensor (PI3) turns ON, the pickup roller rotates counterclockwise and the paper guide holds the original in place.

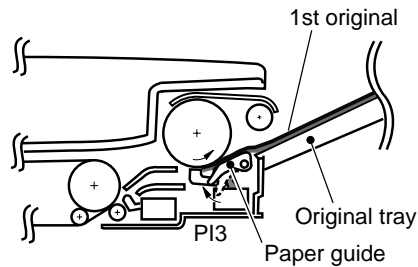


Figure 8-108

2 Pickup Separation

When the Copy Start key is pressed, the pickup roller 1 and 2 rotate clockwise, and pick up the first original (topmost) and forward it as far as the registration roller. (The separation pad ensures that only one original is picked up.)

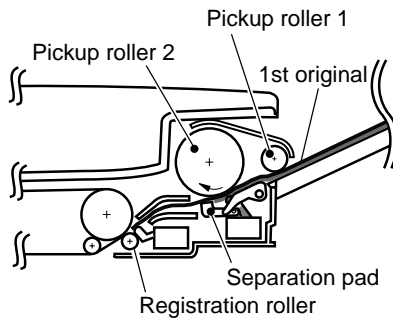


Figure 8-109

3 Arching

The first original is butted against the registration roller so that it arches.

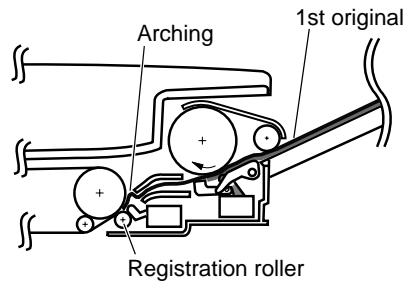


Figure 8-110

4 Feeding Operation 1

The feeding belt is moved so that the leading edge of the first original comes into contact with the delivery sensor (PI1). (In the case of a LGL original, the original is moved about 15 mm farther after it has come into contact with the delivery sensor.)

At the same time, the pickup motor (M2) is rotated counterclockwise to prepare for picking up the second original.

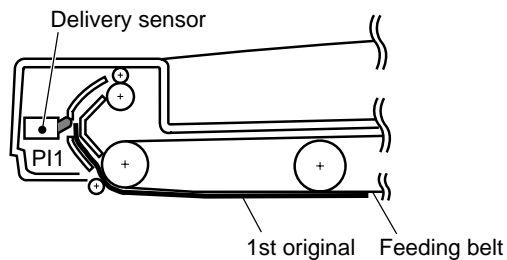


Figure 8-111

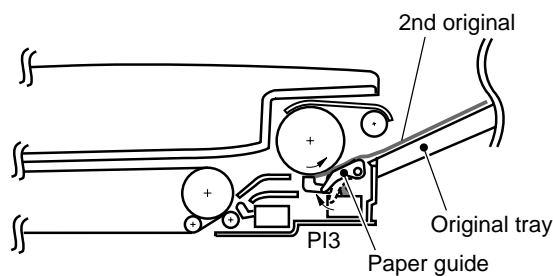


Figure 8-112

5 Feeding 2

The feeding belt is moved counterclockwise so that the first original is stopped at a specific location on the copyboard glass.

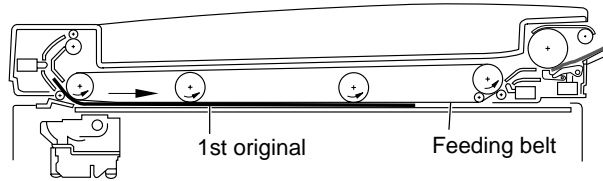


Figure 8-113

6 Moving the Scanner and Picking Up the Second Original

The scanner starts to move forward after the original has been stopped at a specific location on the copyboard glass.

If the original is A4/LTR or smaller, the pickup motor (M2) is also rotated clockwise to pickup the second original and butt it against the registration roller.

If the original is LGL, the second original is picked up after the scanner has been moved forward.

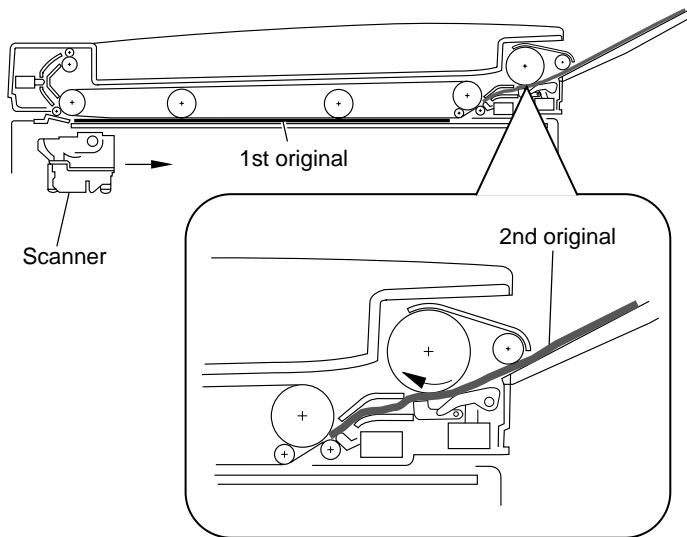


Figure 8-114

2. Sequence of Pickup Operations (A4/LTR, 2 originals)

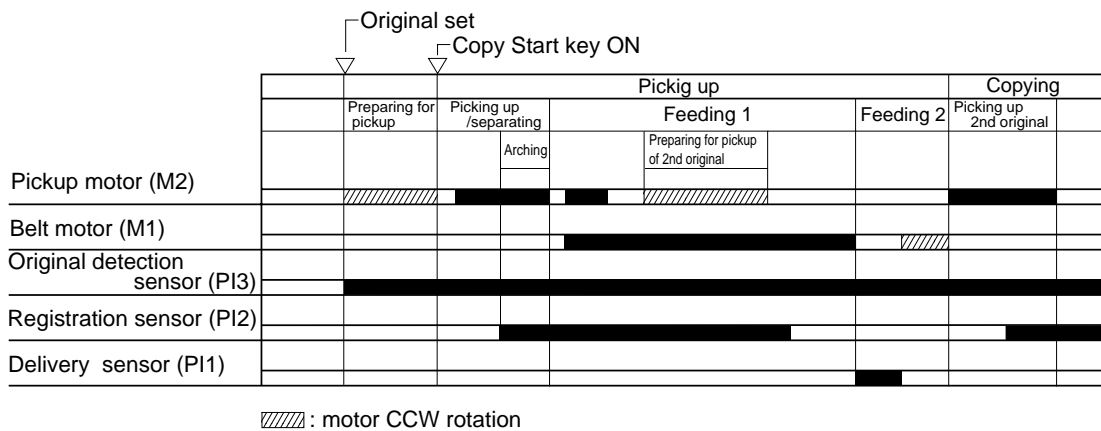


Figure 8-115

3. Sequence of Operations (LGL, 2 originals)

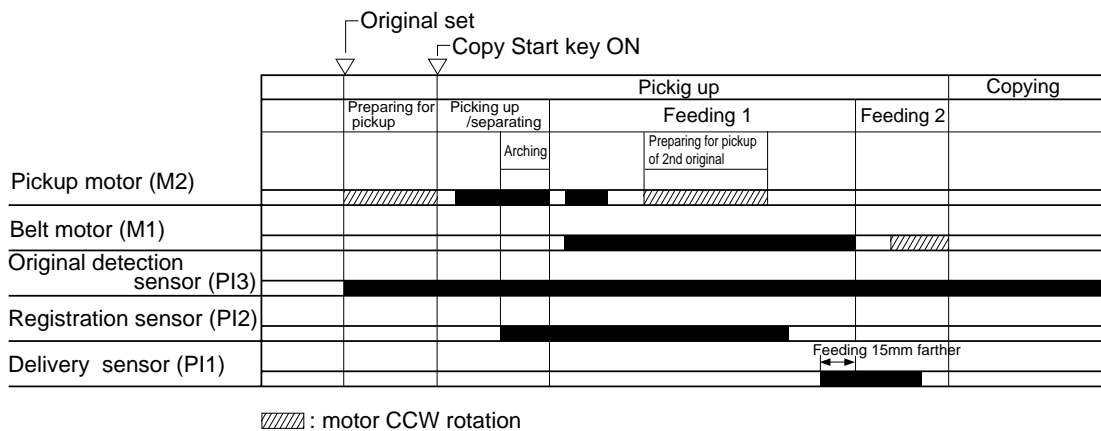


Figure 8-116

F. Delivery

1. Operations

The ADF operates as follows to deliver originals from the copyboard glass:

1 Delivery Feeding

The feeding belt is moved to feed and deliver the first original on the copyboard glass. At the same time, the pickup motor (M2) moves the second original to the copyboard glass.

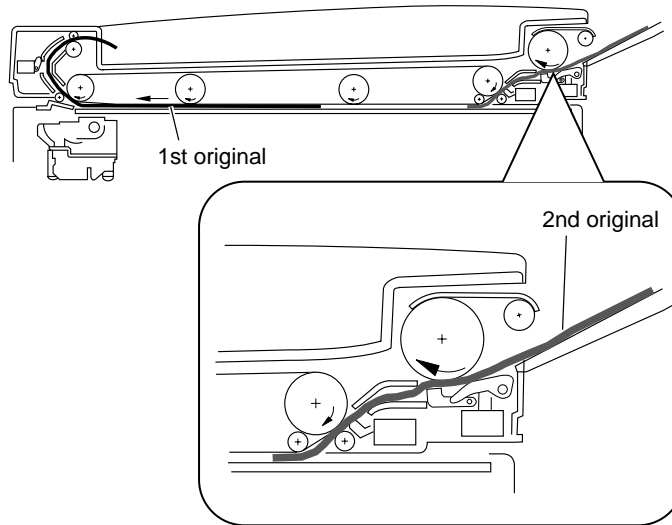


Figure 8-117

2 Delivering to the Delivery Tray

The ADF switches the belt motor to low speed as soon as the trailing edge of the original moves past the delivery sensor (PI1), thereby delivering the original slowly.

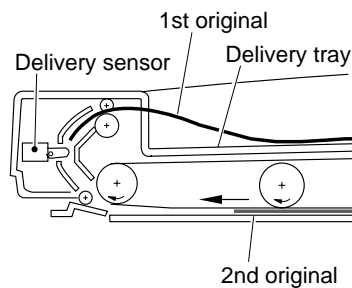


Figure 8-118

2. Sequence of Operations (A4/LTR, 2 originals)

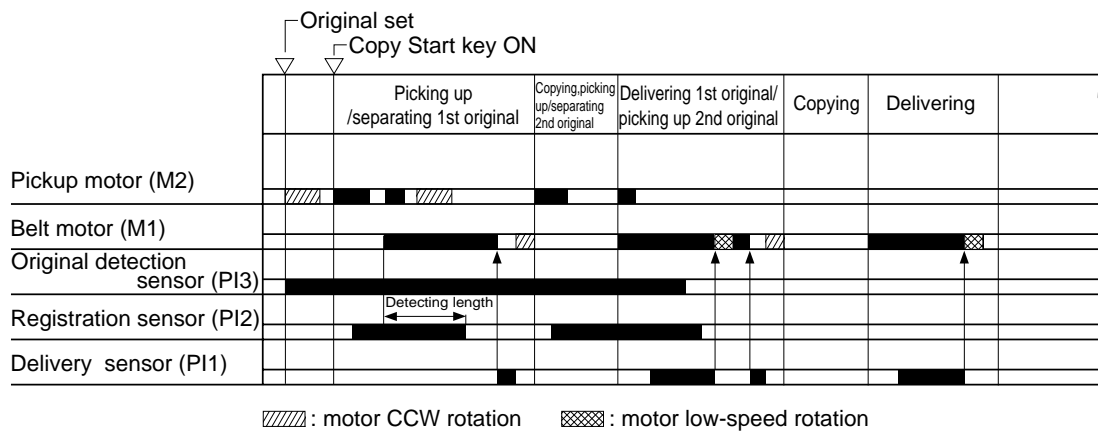


Figure 8-119

3. Sequence of Operations (LGL, 2 originals)

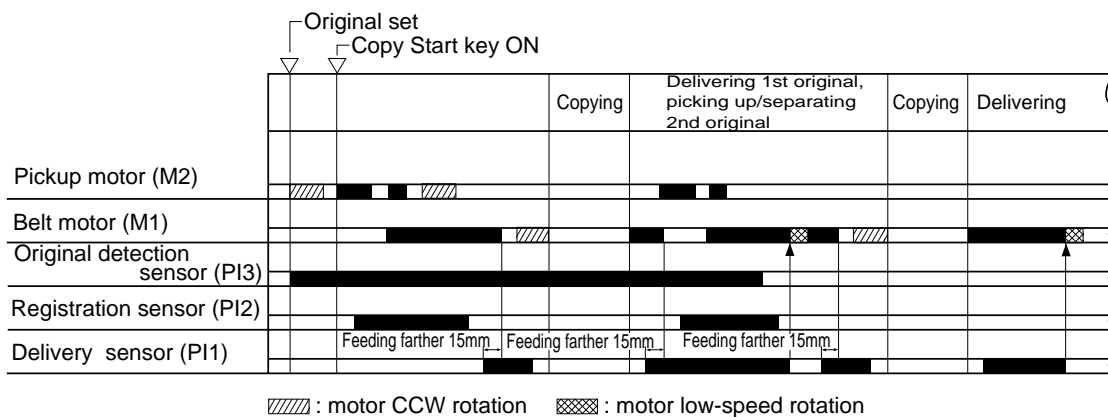


Figure 8-120

G. Controlling the Pickup Motor

1. Outline

Figure 8-121 is a diagram of the control circuit for the pickup motor (M2).

The pickup motor is a DC motor.

The CPU (Q1) on the ADF controller PCB sends the motor drive signals PM0 and PM1 to the motor driver (Q5). The pickup motor rotates clockwise or counterclockwise according to the combinations of the states of these two signals. (Table 8-102 shows how the pickup motor rotates for each combination.)

The motor driver is equipped with a limiter function, preventing overcurrent from flowing into the motor. When an overcurrent occurs, the limiter function cuts off the motor drive current, thereby preventing damage to the motor.

When the limiter function is activated, the pickup motor cannot rotate as controlled, possibly leading to pickup faults. Any pickup fault causes the ADF controller to flash the JAM indicator on the copier and stop the pickup motor at the same time.

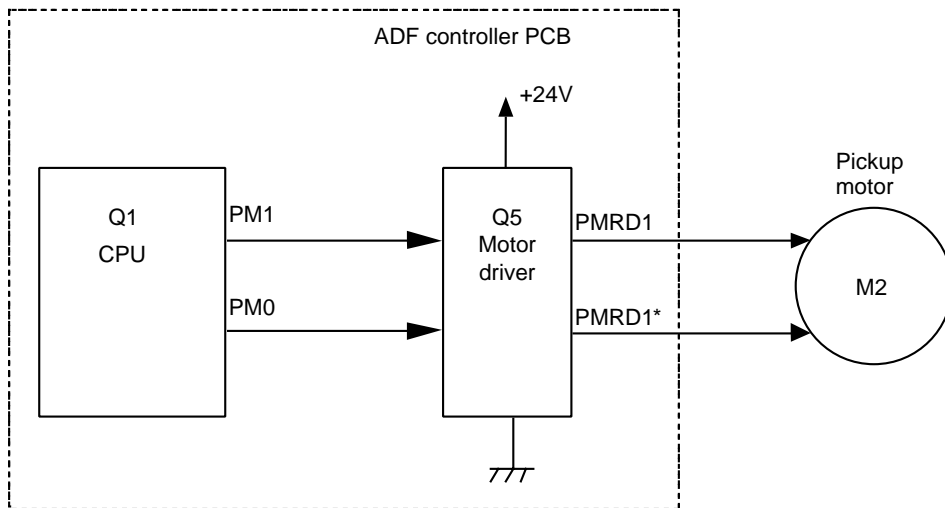


Figure 8-121

| Motor drive signal (PM0) | Motor drive signal (PM1) | Pickup roller rotation |
|--------------------------|--------------------------|------------------------|
| '1' | '1' | Braked |
| '1' | '0' | Picking up |
| '0' | '1' | Delivering |
| '0' | '0' | At reset (free) |

Table 8-102

H. Controlling the Belt Motor

1. Outline

Figure 8-122 is a diagram showing the control circuit for the belt motor (M2).

The belt motor is a 4-phase control stepping motor.

The CPU (Q1) on the ADF controller PCB sends control pulse signals (A, A*, B, B*) to the motor driver (Q4).

In response, the motor driver changes the output timing of the pulse signals (MA, MA*, MB, MB*) used for driving the motor to rotate the belt motor clockwise or counterclockwise.

The motor driver is equipped with a limiter function used to keep the motor supplied with a specific current so that current greater than specified will not flow.

If loads large enough to activate the limiter function occur in succession, the belt motor cannot rotate as specified, possibly leading to feeding faults. Any feeding fault will cause the ADF controller to flash the Jam indicator on the controller and stop the belt motor at the same time.

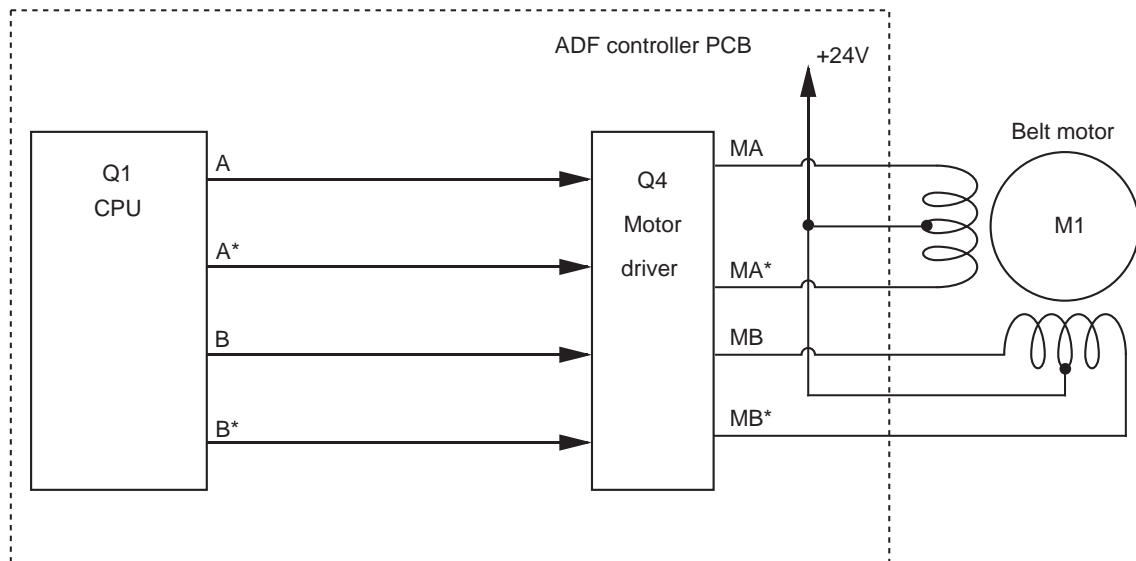


Figure 8-122

I. Detecting Original Jams

The ADF is equipped with three jam sensors (PI1 through PI3) as indicated in Figure 8-123 to monitor the movement of originals.

The movement of originals are checked at such times as programmed in the CPU on the ADF controller PCB; a jam is identified in relation to the presence of an original at each sensor.

Table 8-103 describes the type of jam, condition of detection, and sensors involved.

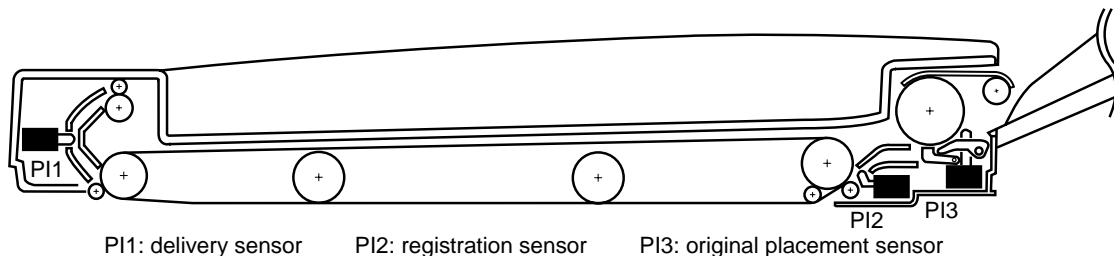


Figure 8-123

Type of Original Jam and Condition of Detection

| Operation | Type of jam | Sensor | Conditions |
|-----------|---------------------------|---------|--|
| Pickup | Residual original | PI1,PI2 | When the 1st original is separated, the delivery sensor (PI1) turns on while the belt motor rotates for 300 ms or less or before the registration sensor (PI2) turns on. When the 1st original is picked up, the registration sensor (PI2) and the delivery sensor (PI1) turn on. |
| | Original present at start | PI1,PI2 | When separation starts, the registration sensor (PI2) or the delivery sensor (PI1) are on. |
| | Separation delay | PI2 | When separation starts, the registration sensor (PI2) does not turn on after 2 sec. |
| | Pick-up delay | PI2 | When pickup starts, the registration sensor (PI2) does not turn off after feeding the original for about 500 mm. |
| Delivery | ADF open | MS1 | The ADF is opened while in operation. |
| | Delivery delay jam | PI1,PI2 | When delivery starts, the delivery sensor (PI1) does not detect an original that has been fed about 100 mm. After the registration sensor (PI2) has turned off, the delivery sensor (PI1) does not detect an original that has been fed for about 500 mm. |
| | Delivery stationary jam | PI1 | During pickup, the delivery sensor (PI1) remains on even when the original is fed for 'length + about 60 mm'. |

Table 8-103

J. Power Supply

1. Outline

Figure 8-124 shows the routes of power supply.

The ADF is supplied by the copier with 5 V and 24 V. The 24V supply is cut off when the ADF is opened, i.e., when the ADF switch (MS1) turns off. The 5V supply will continue to keep each sensor powered even when the ADF is opened.

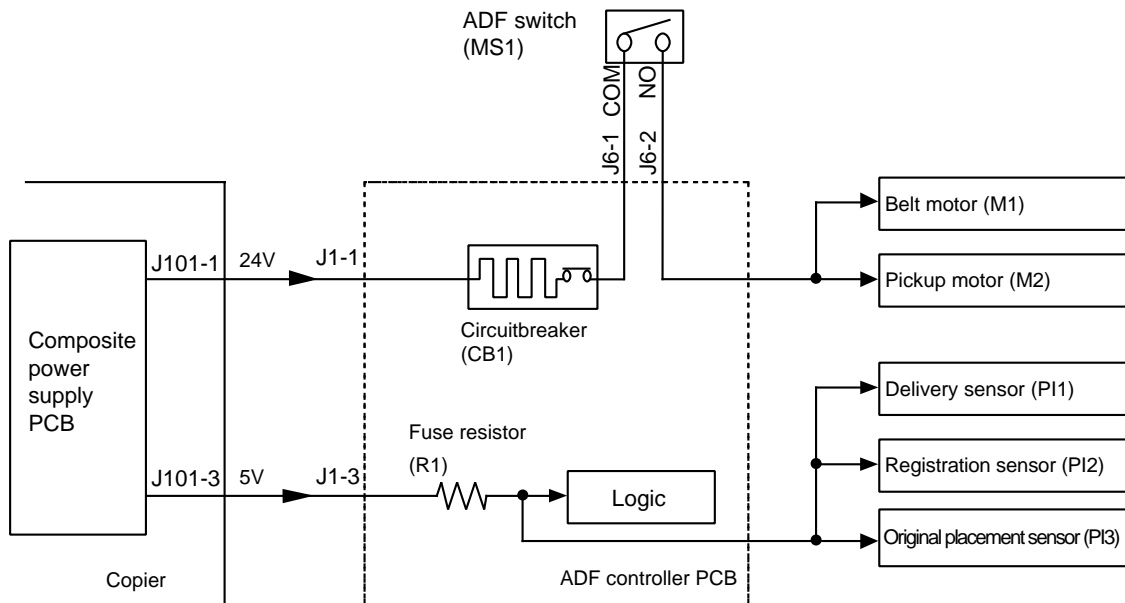


Figure 8-124

II. DISASSEMBLY/ASSEMBLY

As needed, disassemble/assemble the machine with the following in mind:

1. **▲** Before starting the work, turn off the power switch and disconnect the power plug for safety.
2. Unless otherwise instructed, assemble the parts by reversing the steps used to disassemble it.
3. Identify the screws by type (length, diameter) and location.
4. Use the washers where necessary. (The screws used to mount the grounding wire and Varistors come with a washer to ensure electrical continuity.)
5. As necessary, cut the harness band.
6. As a rule, do not operate the machine with any of its part removed.
7. A few of the screws used are special screws (with wider thread intervals). Do not use any screws indiscriminately.

A. Removing the ADF

- 1) Open the machine's top unit.
- 2) Free the two claws [1], and slide the left cover [2] to detach.

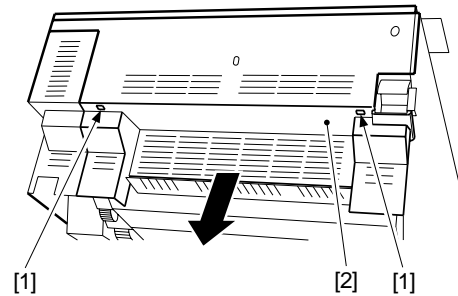


Figure 8-201

- 3) Remove the screw [3], and free the four claws [4]; then, detach the rear cover [5].

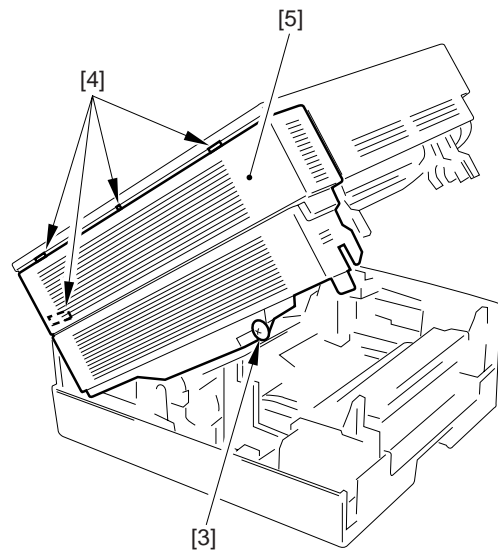


Figure 8-202

- 4) Close the machine's top unit.
- 5) Remove the two screws [6], and remove the fixing plate [7].

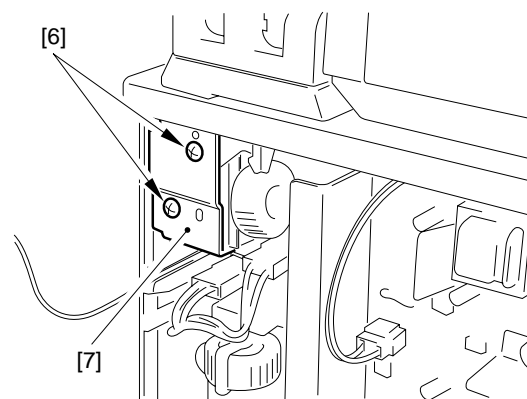


Figure 8-203

- 6) Disconnect the two connectors [8], and remove the screw [9]; then, remove the cable bush [10].

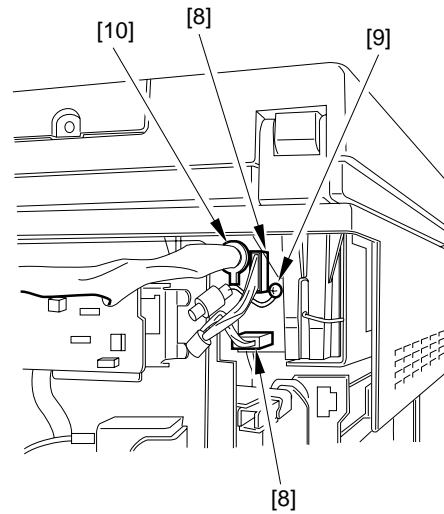


Figure 8-204

- 7) Remove the two lockpin [11], and remove the ADF from the copier.

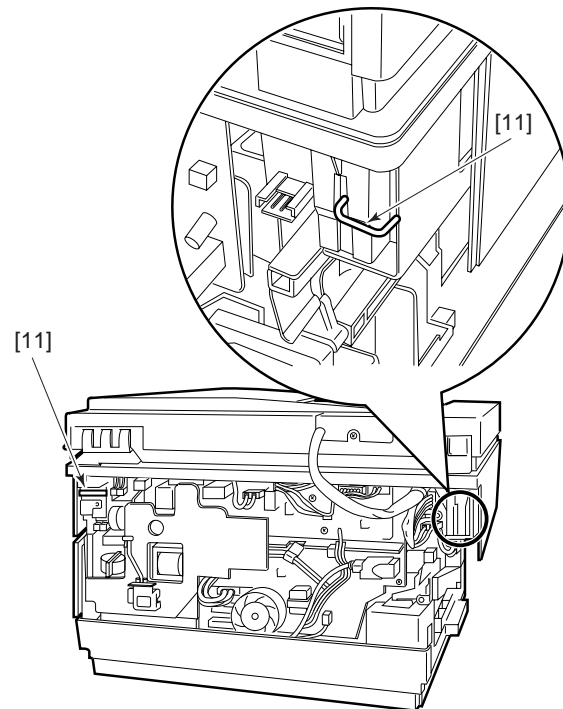
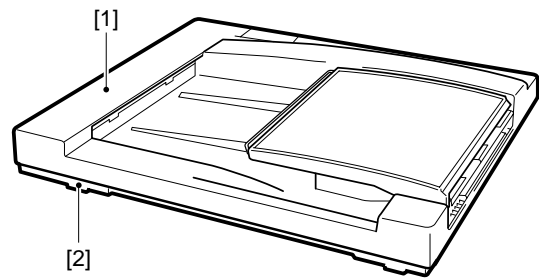


Figure 8-205

B. External Covers



[1] Upper cover [2] Lower cover

Figure 8-206

Remove the covers as follows when cleaning, checking, or repairing the inside of the machine:

- 1) Remove the ADF from the copier.
(See “A. Removing the ADF.”)
- 2) Remove the feeding roller [1] from the bushing [2].

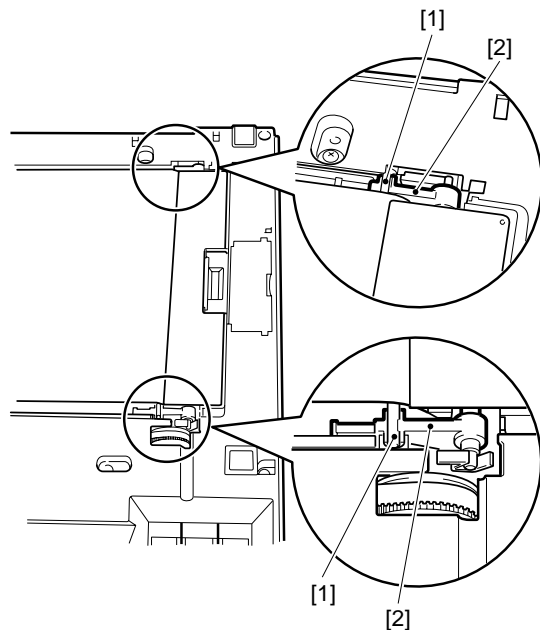


Figure 8-207

- 3) Remove the six screws [3], and separate the lower cover [4] from the upper cover [5].

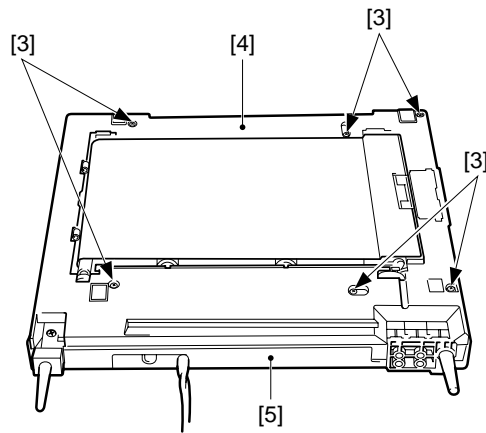


Figure 8-208

- 4) Disconnect the connector [6], and remove the lower cover [4].

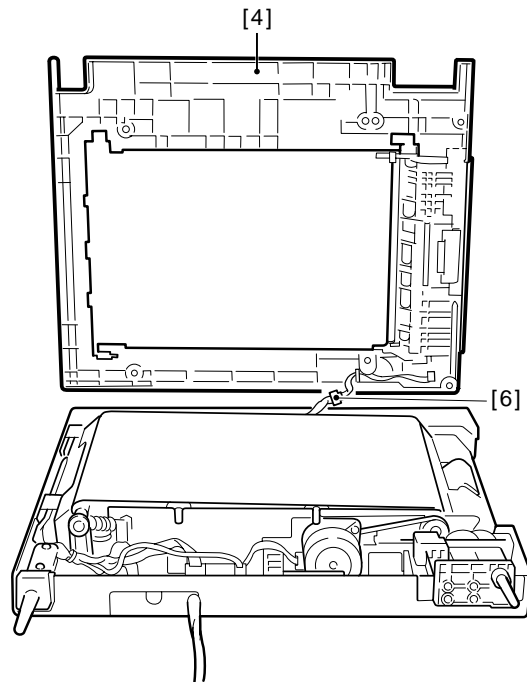


Figure 8-209

C. Drive System

1. Drive Unit

- 1) Remove the lower cover.
(See “B. External Covers.”)
- 2) Remove the screw [1] and the bushing [2];
then, remove the pickup roller cover [3].

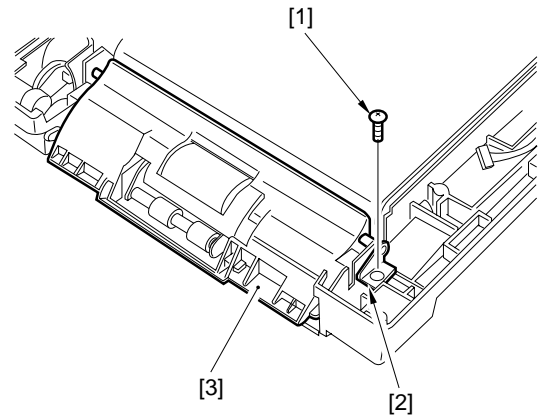


Figure 8-210

- 3) Remove the E-ring [4], and remove the
bearing [5].

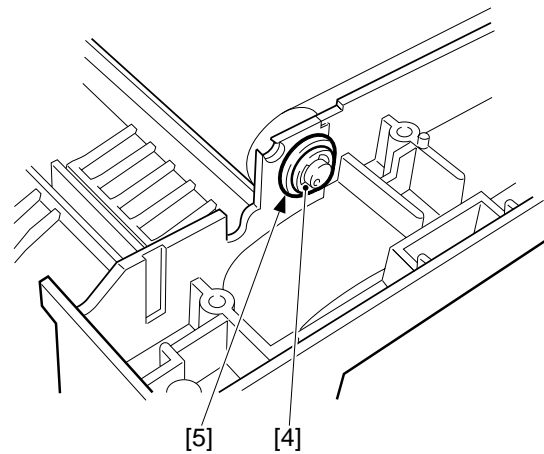


Figure 8-211

- 4) Remove the timing belt [6], and remove the feeding belt roller [7] by shifting it in the direction of the arrow.

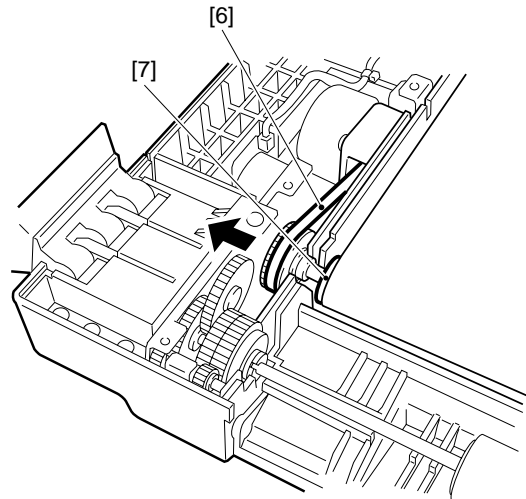


Figure 8-212

- 5) Remove the five screws [9], and remove the right hinge unit [8].

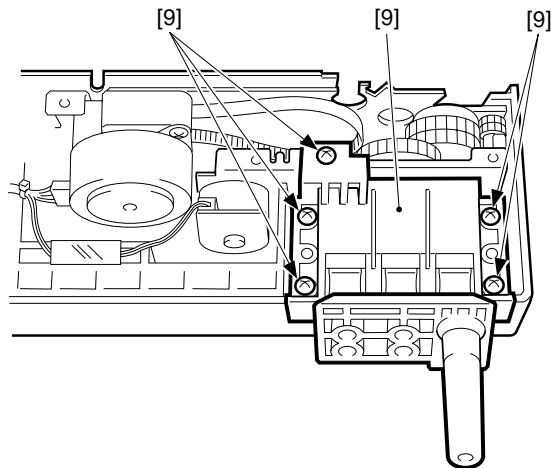


Figure 8-213

- 6) Remove the stop ring [10] (resin) and the bushing [11].

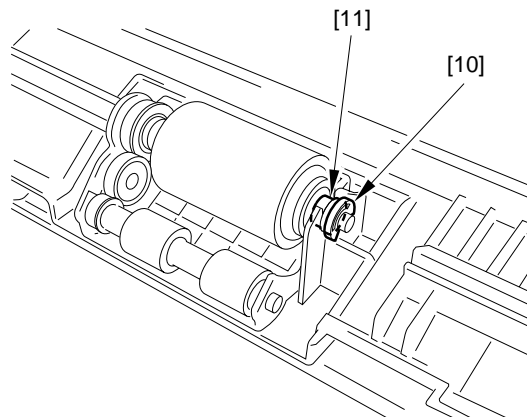


Figure 8-214

- 7) Disconnect the two connectors [12], and remove the five screws [13]; then, remove the drive unit [14].

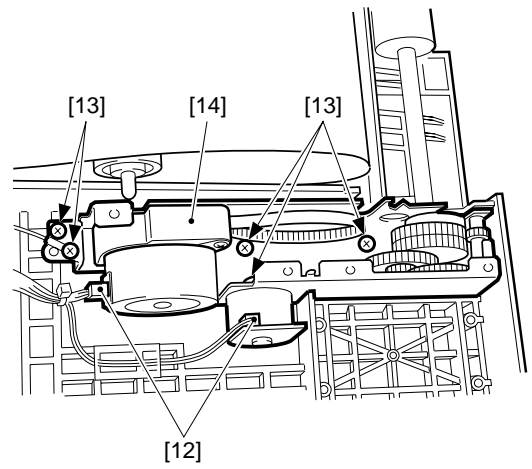


Figure 8-215

D. Feeding System

1. Pickup Roller

- 1) Remove the drive unit [1].
(See "C.1. Drive Unit.")

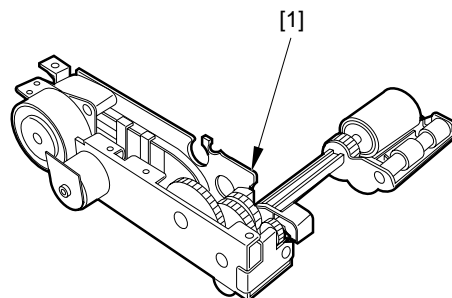


Figure 8-216

- 2) Remove the E-ring [2], and remove the shaft [3]; then, detach the pickup roller 1 [4].

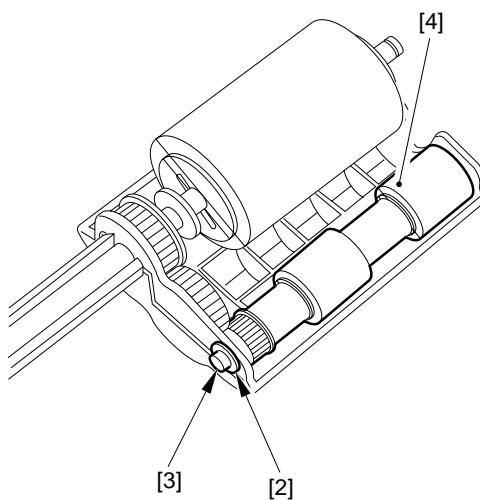


Figure 8-217

- 3) Remove the stop ring [5].

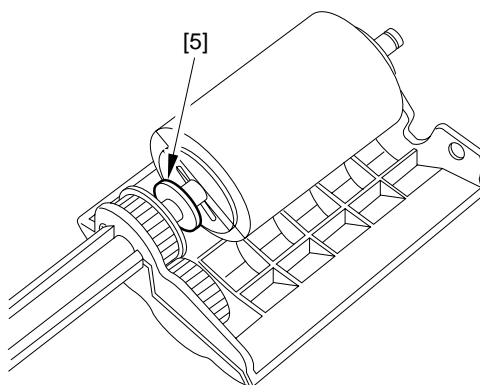


Figure 8-218

- 4) Remove the two straight pins [6], and remove the pickup roller 2 [8] while moving the cover [7] in the direction of the arrow.

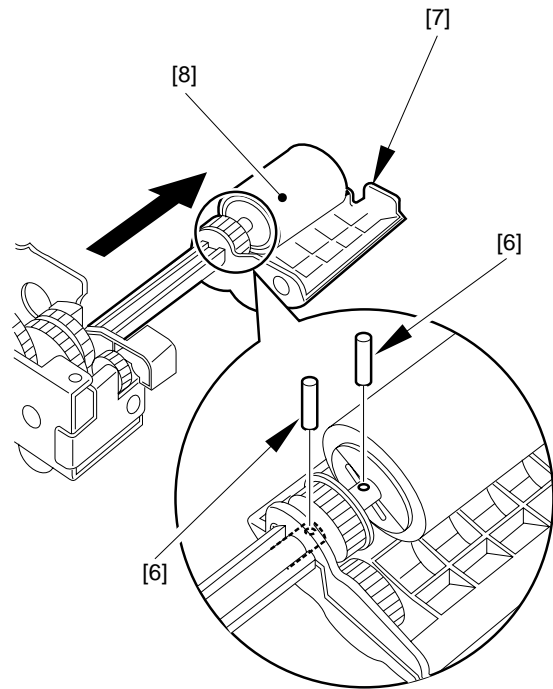


Figure 8-219

2. Registration Roller

- 1) Remove the lower cover.
(See “B. External Covers.”)
- 2) Remove the link arm [1] from the registration roller shaft [2] by turning the link arm.

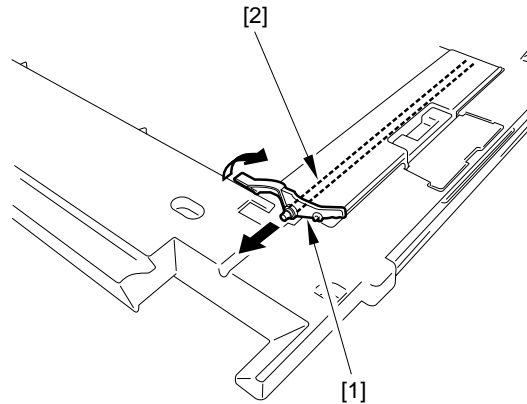


Figure 8-220

- 3) While pushing the bushing [3] in the direction of the arrow, pull out the registration roller shaft [2] slowly.

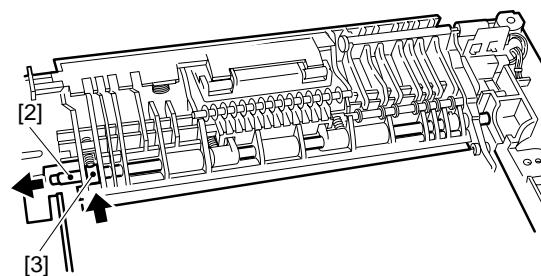


Figure 8-221

3. Feeding Belt

- 1) Remove the lower cover.
(See "B. External Covers.")
- 2) Remove the two tension springs [1].

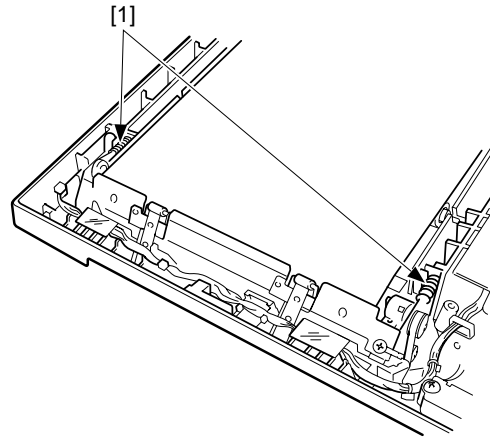


Figure 8-222

- 3) Remove the E-ring [2], and remove the bearing [3].

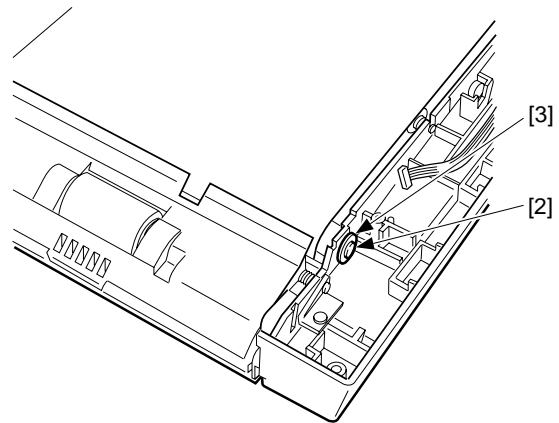


Figure 8-223

- 4) Remove the timing belt [4], and remove the feeding belt drive roller [5] by moving it in the direction of the arrow.

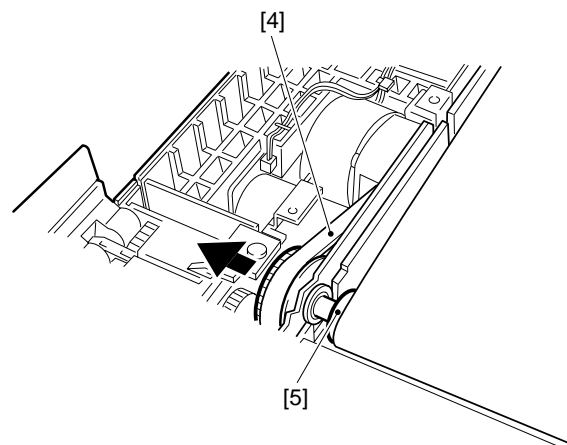


Figure 8-224

- 5) Remove the two equalizer spring [6] and the two feeding belt rolls [7].

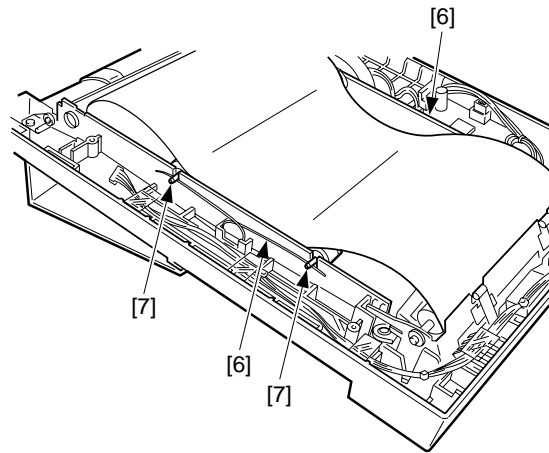


Figure 8-225

- 6) Remove the two screws [9], and remove the delivery sensor unit [8].

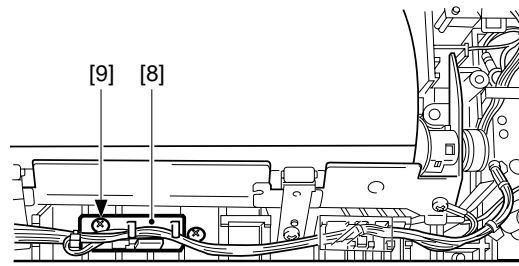


Figure 8-226

- 7) Remove the stop ring [10] (made of resin); then, remove the bushing [11].

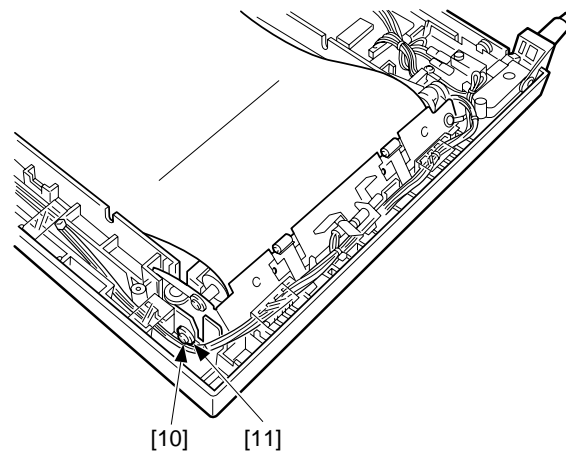


Figure 8-227

- 8) Remove the screw [12], and remove the grounding wire [13]; then, remove the delivery roller unit [14] by moving it in the direction of the arrow.

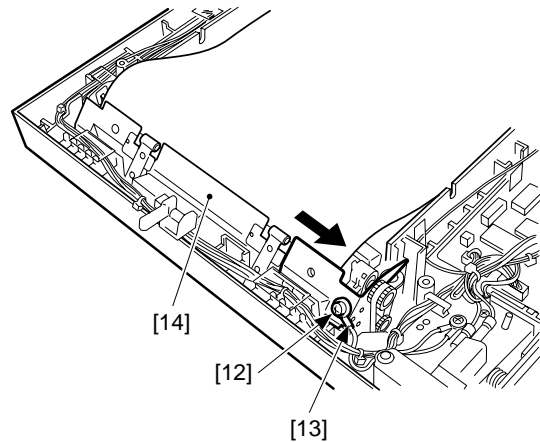


Figure 8-228

- 9) Remove the screw [15], and remove the static eliminating brush [16].

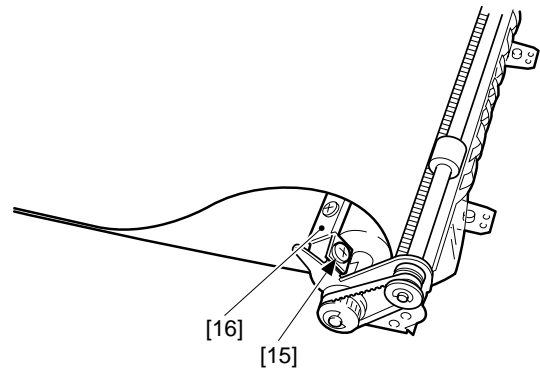


Figure 8-229

- 10) Remove the two E-rings [17]; then, remove the timing belt [18], gear [19], and two bushings [20].

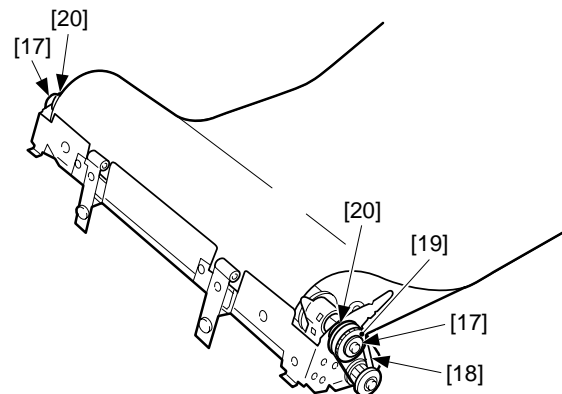


Figure 8-230

- 11) Pull out the actuator [21] in the direction of the arrow; then, remove the feeding belt link roller [22], and remove the feeding belt [23].

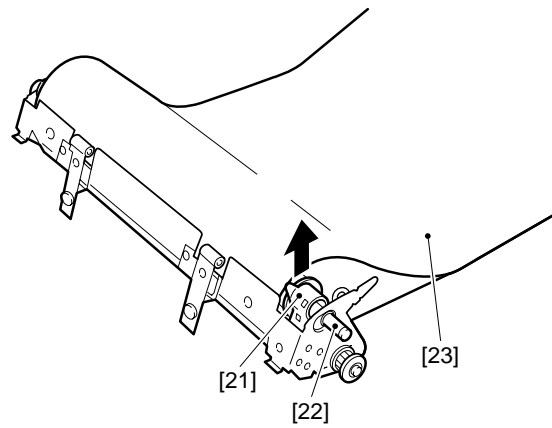


Figure 8-231

E. Electrical System

1. ADF Controller PCB

- 1) Remove the lower cover.
(See “B. External Covers.”)
- 2) Disconnect the five connectors [1], and remove the two screws [2]; then, remove the ADF controller PCB [3].

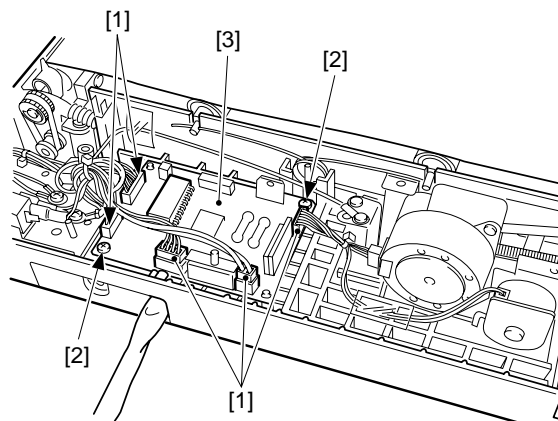


Figure 8-232

2. Original Placement Sensor and Registration Paper Sensor

Pay attention to the colors of the cables and connectors when connecting the connectors of the original placement sensor and the registration paper sensor.

| Sensor | Cable color |
|---------------------------|-------------|
| Original placement sensor | Purple |
| Registration paper sensor | Yellow |

Table 8-201

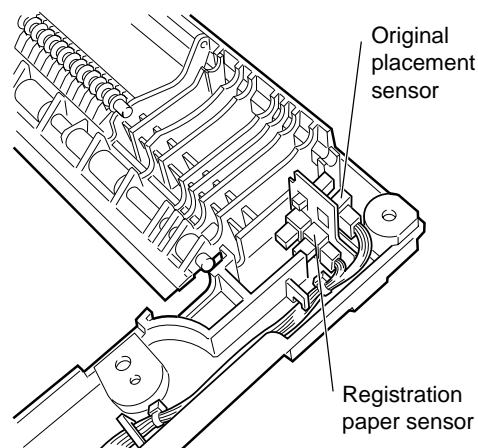


Figure 8-233

CHAPTER 9

INSTALLATION

| | | | |
|---|-----|-------------------------------|------|
| I. SELECTING A SITE | 9-1 | B. Placing Copy Paper | 9-9 |
| II. UNPACKING AND INSTALLATION | 9-2 | III. MOVING THE MACHINE | 9-12 |
| A. Unpacking and Installation | 9-2 | | |

I. SELECTING A SITE

Keep the following in mind when selecting a site for installation; if possible, visit the user's before delivery of the machine:

- The site offers a power outlet whose rating is as specified ($\pm 10\%$) and which may be used exclusively for the machine.
- The site is between $7.5^{\circ}\text{C}/45.5^{\circ}\text{F}$ and $32.5^{\circ}\text{C}/90.5^{\circ}\text{F}$ in temperature and between 5% and 85% in humidity. Avoid an area near water faucets, water boilers, humidifiers, and refrigerators.
- Avoid areas near sources of fire. The site must not be subject to ammonium gas or direct rays of the sun. (As necessary, provide curtains.)
- The site must be well ventilated.

The level of ozone generated by the machine should not affect the health of people around it. Some, however, may find the odor to be rather unpleasant, and ventilation is a very important factor.

- The floor of the site must ensure that the machine's feet will remain in contact, and will hold the machine level.
- The machine must be at least 10 cm/3.9 in. away from any wall, and there must be adequate space for work involving the machine.

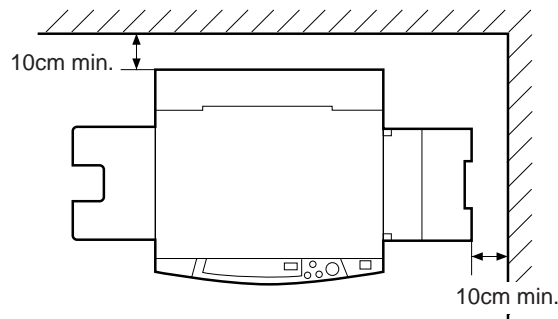


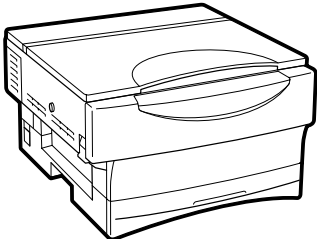
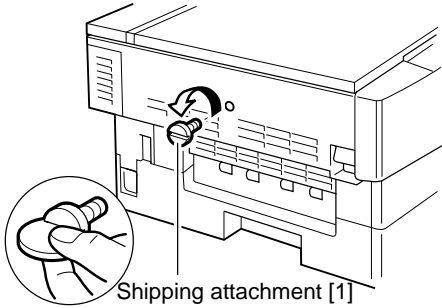
Figure 9-101

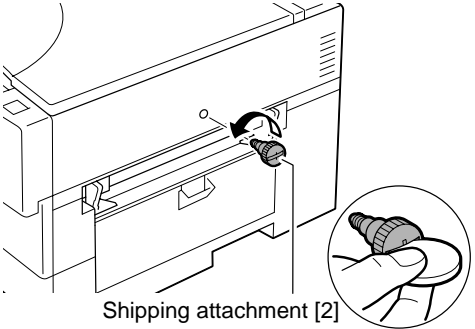
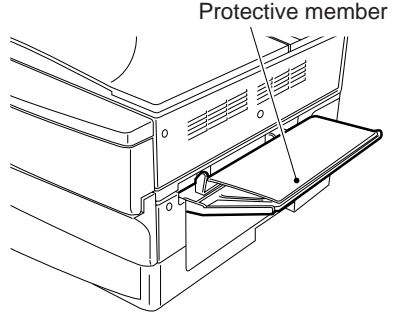
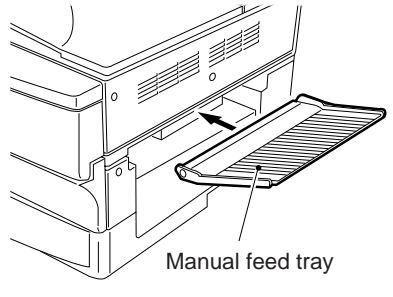
II. UNPACKING AND INSTALLATION

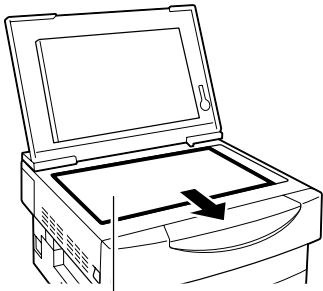
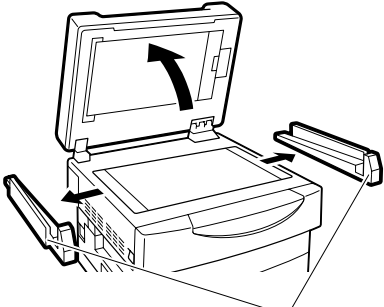
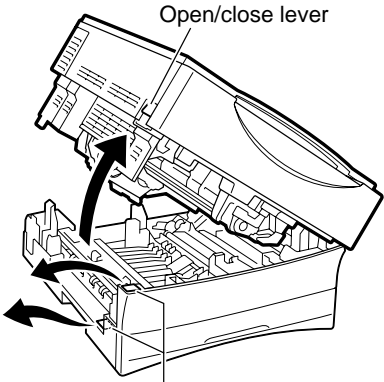
When a piece of metal is brought in from a cold to warm place, droplets of water tend to form on its surface. This phenomenon is known as “condensation” and, in copiers, can cause blank copies.

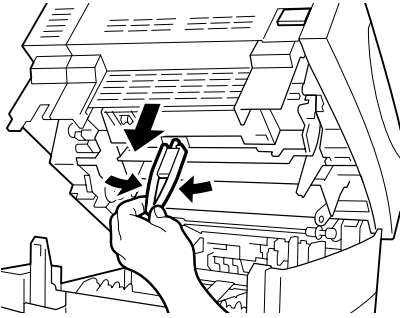
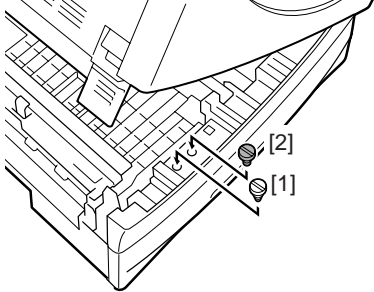
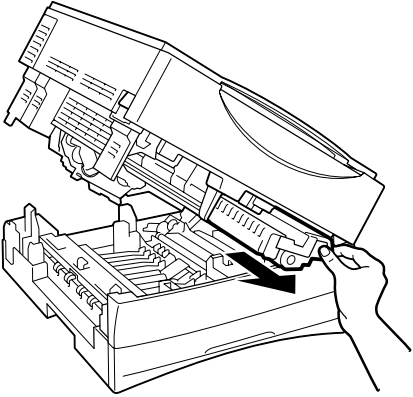
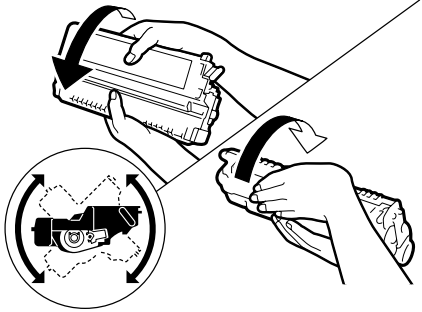
If the machine has been brought in from a cold place, leave it alone at least for one hour before starting to install it.

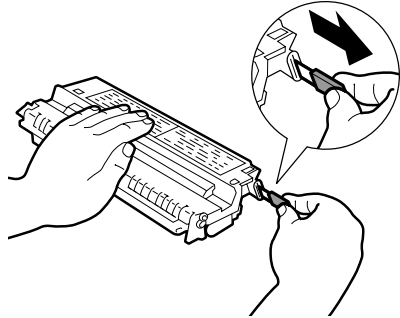
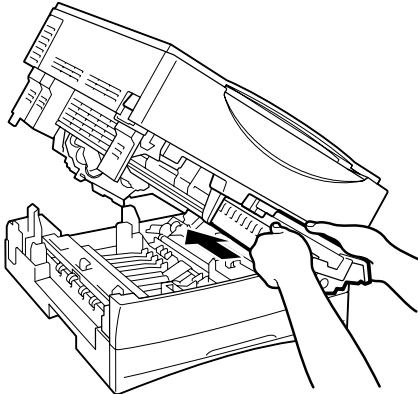

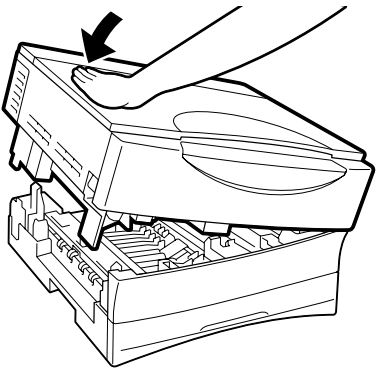
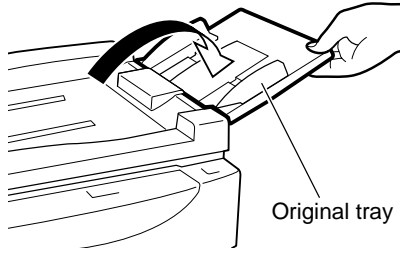
A. Unpacking and Installation

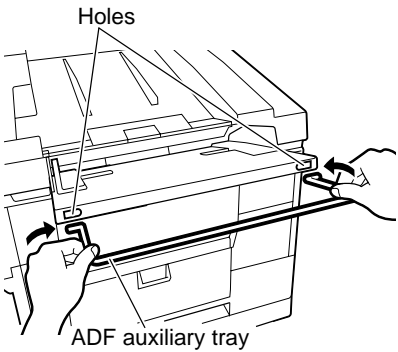
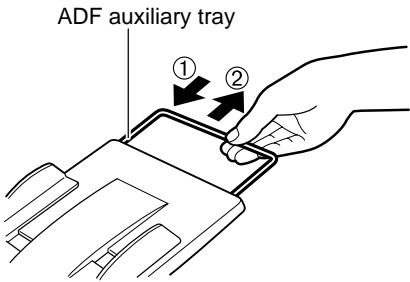
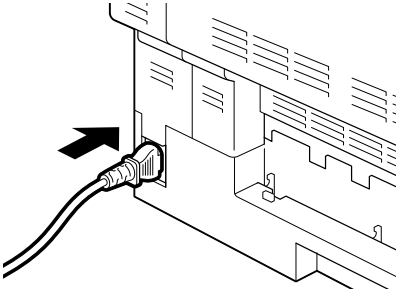
| Step | Work | Checks and remarks |
|------|---|--|
| 1 | Take out the copier and the attachments from the shipping box, and check to make sure that none is missing: | <ul style="list-style-type: none"> • Cassette • Copy tray • Power cord • ADF auxiliary tray (ADF type only) • User's Manual • Manual feed tray (for some areas only) • Language label for cassette (included with universal cassette) • Language label for ADF (ADF type only) |
| 2 | Remove the packaging bag and all fixing tape. |  |
| 3 | Remove the shipping attachment [1] (gold-colored screw) from the left of the machine. |  <p>Shipping attachment [1]</p> <p>You will be storing the shipping attachment [1] inside the machine in step 9.</p> |

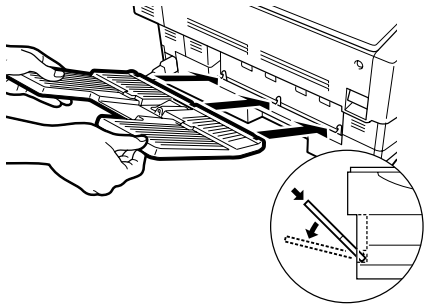
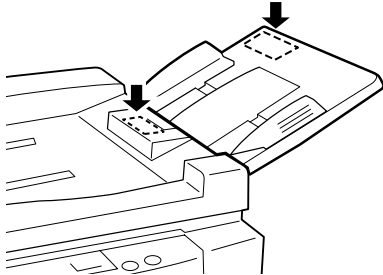
| Step | Work | Checks and remarks |
|------|---|--|
| 4 | Remove the shipping attachment [2] (black screw) from the right side of the machine. |  <p>Shipping attachment [2]</p> <p>You will be storing the shipping attachment [2] inside the machine in step 9.</p> |
| 5 | Take out the protective member from the manual feed tray. (Multifeeder type only) Caution: This step applies only if the manual feed tray is attached. |  <p>Protective member</p> |
| | Attach the manual feed tray that comes with the machine. (Multifeeder type only) Caution: This applies only if the manual feed tray comes packaged with the machine. |  <p>Manual feed tray</p> |

| Step | Work | Checks and remarks |
|------|--|---|
| 6 | <p>Open the copyboard cover, and remove the protective sheet. (Copyboard type only)</p> <p>Caution: If the protective sheet is not found on the machine, go to the next step.</p> |  <p>Protective sheet</p> |
| | <p>Open the ADF, and remove the protective members. (ADF type only)</p> <p>Caution: You will need this protective member when relocating the machine. Be sure to store it away appropriately.</p> |  <p>Protective members</p> |
| 7 | <p>Pull the open/close lever found on the left of the machine to open the machine's top unit; then, remove the two protective members.</p> <p>Caution: If the protective member is not found on the machine, go to the next step.</p> |  <p>Open/close lever</p> <p>Protective member</p> |

| Step | Work | Checks and remarks |
|------|--|--|
| 8 | Pick the fixing member from the bottom of the top unit, and detach it. |  |
| 9 | Store the shipping attachments [1] and [2] removed in steps 3 and 4 in the machine's bottom unit. |  |
| 10 | Hold the tab of the cartridge, and take it out of the machine. |  |
| 11 | Holding the cartridge with the warning label facing up, shake it several times in both directions (90°). |  |

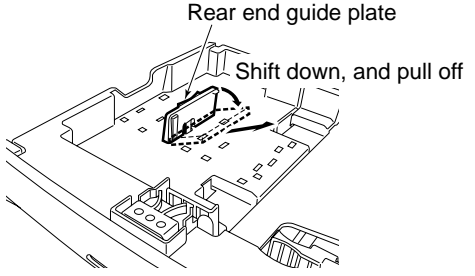
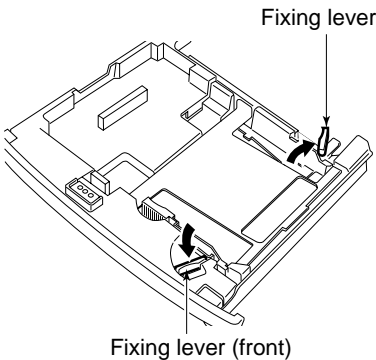
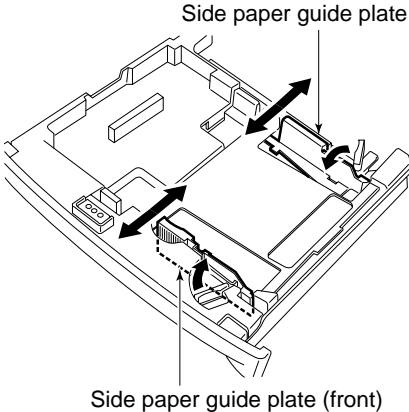
| Step | Work | Checks and remarks |
|------|--|--|
| 12 | <p>Place the cartridge on a level place, and pull off the open seal.</p> <p>Holding the tab, pull it straight out in the direction of the arrow.</p> <p>Caution: The seal can tear in the middle. Do not pull it at an angle.</p> |  |
| 13 | <p>Hold the cartridge with the warning label facing up, and insert it into the machine with care until it stops.</p> |  |
| 14 | <p>Push on the  marking found on the top of the machine to close it fully.</p> |  |
| 15 | <p>Open the original tray.</p> <p>Caution: This step applies to the ADF type only.</p> |  |

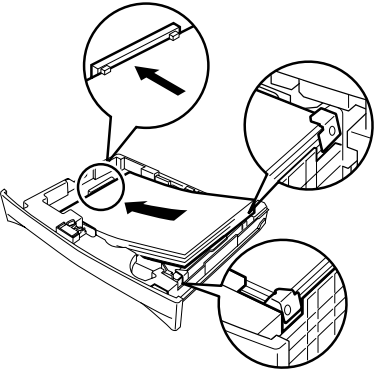
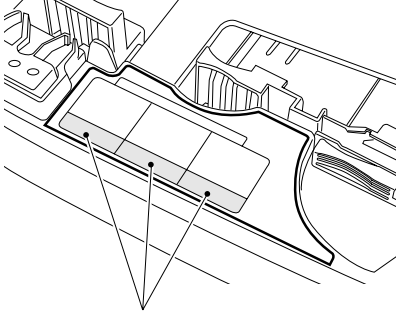
| Step | Work | Checks and remarks |
|------|---|---|
| 16 | <p>While bending the ADF auxiliary tray in the direction of arrows in the figure, insert it into the holes on the edge of the original tray.</p> <p>Caution: This step applies to the ADF type only.</p> |  |
| 17 | <p>Slide in and out the auxiliary tray several times to make sure that it moves smoothly.</p> <p>Caution: This step applies to the ADF type only.</p> |  |
| 18 | <p>Connect the power cord to the power cord connector.</p> |  |
| 19 | <p>Connect the power plug to the power outlet; then, turn on the power switch.</p> | <ul style="list-style-type: none"> • Make sure that the AE and DIRECT indicators turn on, the count/ratio indicator indicates '1'. • Press the Count/Zoom Set key and the Clear/Stop key to check that the copy count is correct. • Press the Default Ratio key to check that different ratios are indicated. • Check to make sure that a press on the Zoom Mode key turns on the '0' indication and a press on the Count/Zoom Set key will indicate the correct ratio. |

| Step | Work | Checks and remarks |
|------|---|---|
| 20 | Attach the copy tray. |  <p data-bbox="837 642 1346 705">Check to make sure that the three grooves in the copy tray are all in place.</p> |
| 21 | Place copy paper inside the cassette. (For how, see B. "Placing Copy Paper.") | |
| 22 | <p data-bbox="305 821 813 978">All notations on the label attached to the ADF is in English. If a non-English language is needed, select the appropriate label from among those that come with the machine and stick it.</p> <p data-bbox="305 1020 813 1083">Caution: This step applies to the ADF type only.</p> |  |
| 23 | Place the Test Sheet on the copyboard glass, and make copies to see if the operation is correct. | <ul data-bbox="837 1171 1346 1304" style="list-style-type: none"> • Check to make sure that there is no abnormal noise. • Check to make sure that as many copies as specified are made correctly. |
| 24 | Clean the externals of the machine and the area around the machine. | |

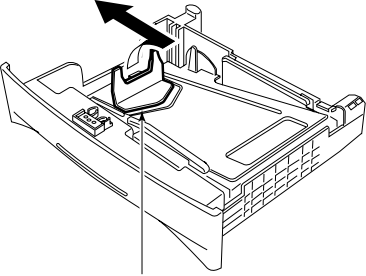
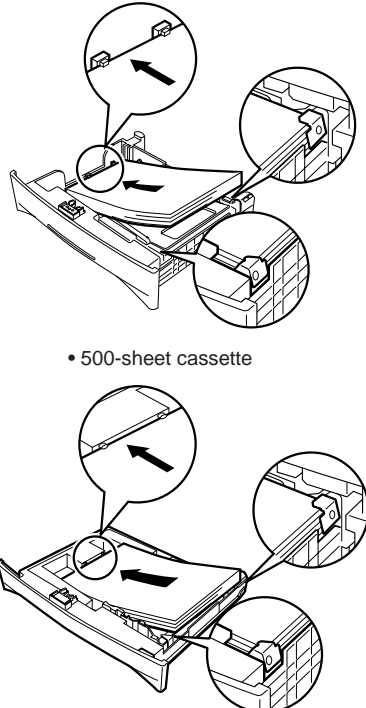
B. Placing Copy Paper

1. Universal Cassette

| Step | Work | Checks and remarks |
|------|--|--|
| 1 | <p>Take out the cassette from the machine, and remove the protective members and the label. Remove the rear guide plate as shown, and mount it back to suit the size of the copy paper to be used.</p> |  <p>Rear end guide plate Shift down, and pull off</p> |
| 2 | <p>Turn the fixing lever (front, rear) of the side paper guide plate as shown, and unlock the side paper guide plate.</p> |  <p>Fixing lever (rear) Fixing lever (front)</p> |
| 3 | <p>Slide the side paper guide plate to suit the width of the copy paper to be used; then, turn the fixing lever as shown to lock the side paper guide plate in place.</p> |  <p>Side paper guide plate (rear) Side paper guide plate (front)</p> |

| Step | Work | Checks and remarks |
|------|--|---|
| 4 | Place copy paper in the cassette, and set the cassette into the machine. |  |
| 5 | All text on the label attached to the cassette is English. If you need to replace it with a non-English label, select the appropriate one from among those packaged with the machine, and attach it. |  <p data-bbox="933 1039 1209 1071">Language label for cassette</p> |

2. 250-Sheet/500-Sheet Cassette

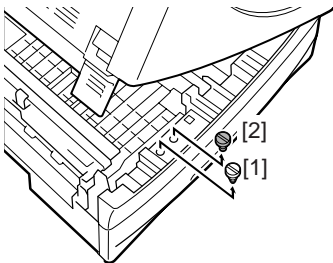

| Step | Work | Checks and remarks |
|------|--|---|
| 1 | Take out the cassette from the machine, and remove the protective member. | |
| 2 | Slide the rear end paper guide plate as shown to match the size of the paper to be used. Caution: This step applies to the 500-sheet cassette (LTR/LGL) only. |  <p data-bbox="1052 745 1258 772">Rear end guide plate</p> |
| 3 | Place copy paper in the cassette; then, set the cassette in the machine. |  <p data-bbox="1052 1186 1242 1213">• 500-sheet cassette</p> <p data-bbox="1052 1554 1242 1581">• 250-sheet cassette</p> |

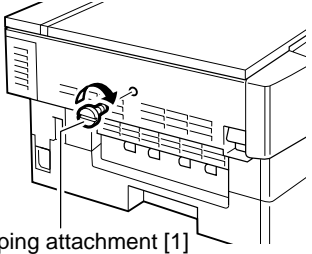
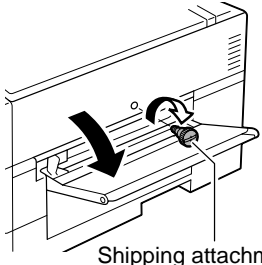
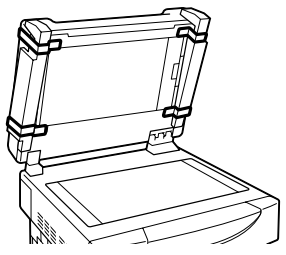
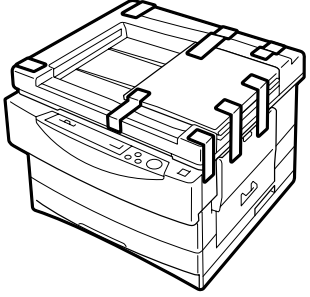
III. MOVING THE MACHINE

If you need to move the machine by truck or any other means of transportation after installation, be sure to perform the following:

Caution:

Before starting the following work, check to make sure that the machines is not too hot. If it is, as immediately after continuous copying, you may not be able to carry out step 8, in which the shipping attachment is replaced.

| Step | Work | Checks and remarks |
|------|---|---|
| 1 | Turn on the power, and press the Default Ratio key to select 70%. | |
| 2 | Press the Paper Select key to select the manual feed tray; then, press the Copy Start key without placing any paper on the manual feed tray. | The count/ratio indicator will indicate '70'. |
| 3 | Turn off the power switch, and disconnect the power plug from the outlet. | |
| 4 | Pull the open/close lever found on the left of the machine, and open the machine's top unit. | |
| 5 | Take out the shipping attachments [1] and [2] stored in the machine's bottom unit.  | |
| 6 | Detach the copy tray. | |
| 7 | Press down on the  marking on the machine's top unit to fully close the machine. | |

| Step | Work | Checks and remarks |
|------|--|---|
| 8 | <p>Fit the shipping attachments [1] and [2] detached in step 5 back to the machine.</p>  <p>Shipping attachment [1]</p>  <p>Shipping attachment [2]</p> | |
| 9 | <p>Tape the machine's top unit in place to prevent it from opening.</p> | |
| 10 | <p>Place A4/LGL copy paper on the copyboard glass, and close the copyboard cover; then, tape it in place. (Copyboard type only)</p> <p>Raise the ADF. Then, place two parts used as packaging so that they fit closely around both sides and the front of the ADF, as shown in the diagram, and secure them with tape. (ADF type only)</p> |  |
| 11 | <p>Gently lower the ADF and secure the main unit by taping in eight places, as shown in the diagram. (ADF type only)</p> <p>Pack the machine, using the original packing material and box.</p> <p>Or tape the machine's top in place so that it will not open while in transit.</p> |  |

CHAPTER 10

MAINTENANCE AND SERVICING

| | | | |
|--|------|---|------|
| I. PERIODICALLY REPLACED PARTS | 10-1 | A. Storing the Cartridge with the Packaging Seal Intact | 10-2 |
| II. DURABLES AND CONSUMABLES | 10-1 | B. Storing and Handling the Cartridge with the Packaging Seal Removed | 10-3 |
| III. SCHEDULED SERVICING | 10-1 | | |
| IV. STORING AND HANDLING THE CARTRIDGE | 10-2 | | |

I. PERIODICALLY REPLACED PARTS

The machine does not have parts which must be replaced on a periodical basis.

II. DURABLES AND CONSUMABLES

The machine does not have items designated as durables or consumables.

III. SCHEDULED SERVICING

The machine does not have any parts which require scheduled servicing.

IV. STORING AND HANDLING THE CARTRIDGE

The cartridge is subject to the effects of the environment whether its packing seal is intact or removed or whether it is inside the machine or otherwise, changing over time regardless of the number of copies made. The degree of change is highly dependent on the site of installation and how it is maintained, and no general rule may be drawn; however, it is important to exercise care when storing or handling it.

A. Storing the Cartridge with the Packaging Seal Intact

If you are storing the cartridge in a warehouse or workshop, be sure that the environment is as indicated in Table 10-401; in addition, keep the following in mind:

- Avoid direct rays of the sun.
- Avoid vibration.
- Do not subject it to impact (as by hitting or dropping it).

| | | | |
|--|--|------------------|--|
| Temperature | Normal (9/10 of entire storage period) | | between 0°C/32°F and 35°C/95°F |
| | Harsh (1/10 of entire storage period) | High temperature | between 35°C/95°F and 45°C/113°F |
| | | Low temperature | between -20°C/-4°F and 0°C/32°F |
| Temperature changes (within 3-min period; approx.) | | | from 40°C/104°F to 15°C/59°F from -20°C/-4°F to 25°C/77°F |
| Humidity | Normal (9/10 of entire storage period) | | between 35% and 85% RH |
| | Harsh (1/10 of entire storage period) | High humidity | between 85% and 95% RH |
| | | Low humidity | between 10% and 35% RH |
| Atmospheric pressure | | | between 613.3 and 1013.3 (hPa; 0.6 to 1 atm) |

Table 10-401 Temperature/Humidity Conditions for Storage

| | |
|-----------------------------------|-------------|
| Temperature | Humidity |
| between -20°C/-4°F and 40°C/104°F | 90% or less |

Table 10-402 Conditions for Transportation

B. Storing and Handling the Cartridge with the Packaging Seal Removed

The photosensitive medium is an organic photoconducting (OPC) material, which would deteriorate if subjected to storing light.

The cartridge also holds toner, requiring the user to exercise care when storing or handling it. (Be sure that the user stores it in an appropriate storage box for storage.)

1. Storage after Removing the Packaging Seal

- a. Avoid areas subject to the direct rays of the sun, i.e., near a window. Do not keep it in a car for a long time, as it will be subjected to an extremely high temperature. (This applies even if the cartridge is inside a protective box.)
- b. Avoid areas subjected to high or low temperature/humidity or where temperature or humidity tends to change abruptly (e.g., near an air conditioner).
- c. Avoid areas subject to dust, ammonium gas, or organic solvent.
- d. Make sure that the cartridge is stored at 40°C/104°F or lower.

2. Handling the Cartridge

- a. Before setting the cartridge in the machine or if copies have white spots as when it starts to run out of toner, hold the cartridge level and shake it about 90° several times as shown in Figure 10-401 to even out the toner inside.

If you shake it in a different way, the toner can spill out of the developing assembly or the cleaning assembly.

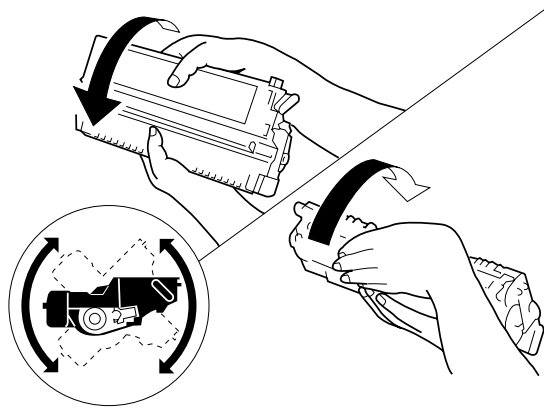


Figure 10-401

- b. Do not place the cartridge on its end or turn it over as shown in Figure 10-402.

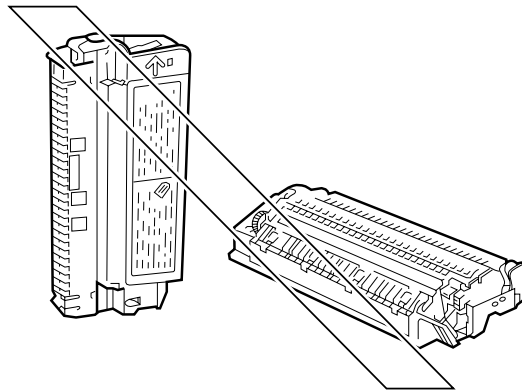


Figure 10-402

- c. Do not touch the surface of the photosensitive drum as by opening the shutter for the photosensitive drum cover found at the bottom of the cartridge.
(If you have soiled the surface of the photosensitive drum, wipe it with a flannel cloth coated with toner. Do not clean it using solvents.)
- d. Do not disassemble the cartridge.
- e. Do not subject the cartridge to excess vibration or impact. In particular, do not impose force on the shutter for the photosensitive drum shutter.
- f. Make sure that it is out of reach of children.
- g. The photosensitive drum is susceptible to strong light, and the light-blocking shutter is provided as a means of protection.
If the drum is exposed to strong light for a long time, however, copies can start to show white spots or vertical bands. Try leaving the machine alone as long as possible if such a problem is noted; the memory (i.e., cause of white spots or vertical bands), however, may not disappear. Keep the following in mind:

Caution:

1. Try to work briskly when removing a jam or replacing the cartridge.
2. If the cartridge must be taken out of the machine for storage, be sure to put it in a protective box or put a cover over it. Do not leave it outside the machine unprotected.

Reference:

If the photosensitive drum is exposed to light of 1500 lux (general lighting) for 5 min and then left alone in a dark place for 5 min, it should recover so that it will not cause practical problems. Nevertheless, avoid direct sunshine. (The rays of the sun is as strong as 10000 and 30000 lux.)

CHAPTER 11

TROUBLESHOOTING

| | | | | | | |
|------|------------------------------------|--|------|---|---|-------|
| I. | MAINTENANCE AND INSPECTION | 11-3 | A. | Troubleshooting Malfunctions | 11-61 | |
| | A. | Image Adjustment Basic Procedure | V. | TROUBLESHOOTING FEEDING PROBLEMS | 11-75 | |
| | | 11-3 | | A. | Copy Paper Jam | 11-75 |
| | B. | Points to Note for Servicing | | B. | Faulty Feeding | 11-78 |
| | | 11-4 | VI. | ARRANGEMENT AND FUNCTIONS OF ELECTRICAL PARTS | 11-79 | |
| II. | STANDARDS AND ADJUSTMENTS | 11-5 | | A. | Sensors and Solenoids | 11-79 |
| | A. | Mechanical | | B. | Switches | 11-80 |
| | | 11-5 | | C. | Lamp, Heater, Motor, Etc. | 11-81 |
| | B. | ADF | | D. | PCBs | 11-82 |
| | | 11-30 | | E. | ADF | 11-83 |
| | C. | Electrical | | F. | Variable Resistors (VR) and Check Pins by PCB | 11-84 |
| | | 11-41 | VII. | SELF DIAGNOSIS | 11-86 | |
| III. | TROUBLESHOOTING IMAGE FAULTS | 11-48 | | | | |
| | A. | Making Initial Checks | | | | |
| | | 11-48 | | | | |
| | B. | Sample Image Faults | | | | |
| | | 11-52 | | | | |
| | C. | Troubleshooting Image Faults | | | | |
| | | 11-53 | | | | |
| IV. | TROUBLESHOOTING MALFUNCTIONS | 11-61 | | | | |

Guide to the Troubleshooting Procedure

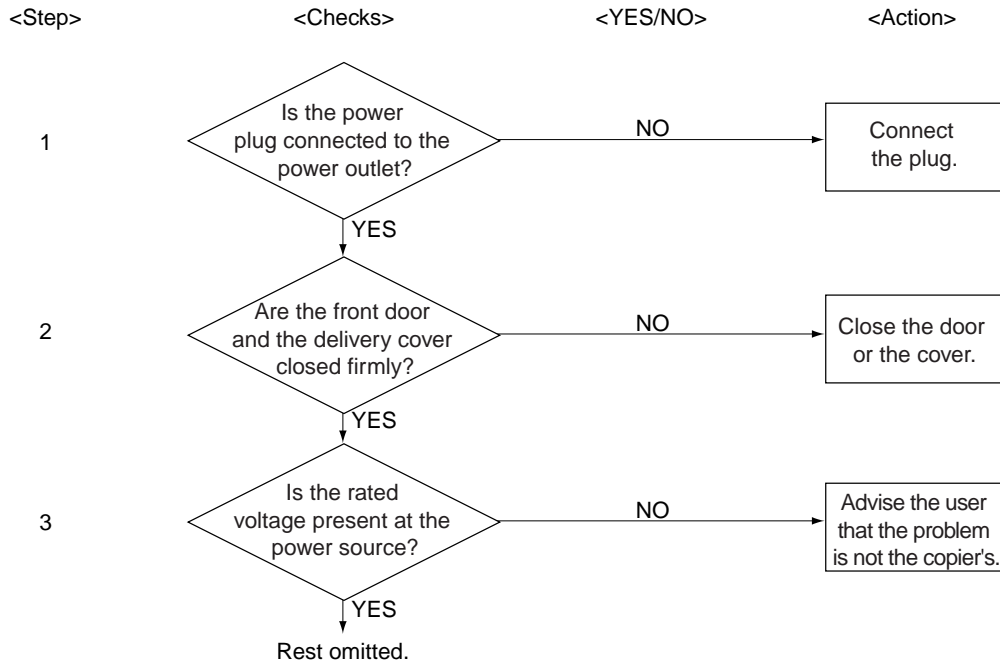
This chapter provides troubleshooting instructions in the form of tables prepared based on generally found flow charts. Study the following for an idea of how to use them:

AC power is absent.

| Cause | Step | Checks | YES/NO | Action |
|--------------|------|--|--------|------------------------------|
| Power plug | 1 | Is the power plug connected to the power outlet? | NO | Connect the plug. |
| Covers | 2 | Are the front door and delivery cover closed fully? | NO | Close the door or the cover. |
| Power source | 3 | Is the rated voltage found at the power outlet? | NO | Inform the user that |
| ----- | 4 | Is the rated voltage present between J1-1 and -2? (J1 is found near the power cord mount.) | YES | Go to step 6. |

(Rest omitted.)

- To find out the cause (possible fault) of a specific problem, see the "Cause" column. If the problem is "AC power is absent," you may suspect that the power plug is disconnected, covers are not closed fully, or power is absent at the main source.
- If you want to find out the checks to make or action to take, go through the steps: answer the questions under "Checks"; if yes, take the action shown. Otherwise, go to the next step and make the indicated checks.



- Often, you will find the following instructions when checking the voltage using a meter: “measure the voltage between J109-1 (+) and -2 (-) on the DC controller PCB.” The symbol “+” indicates the terminal to which you are expected to connect the positive probe of the meter and “-,” the negative probe.

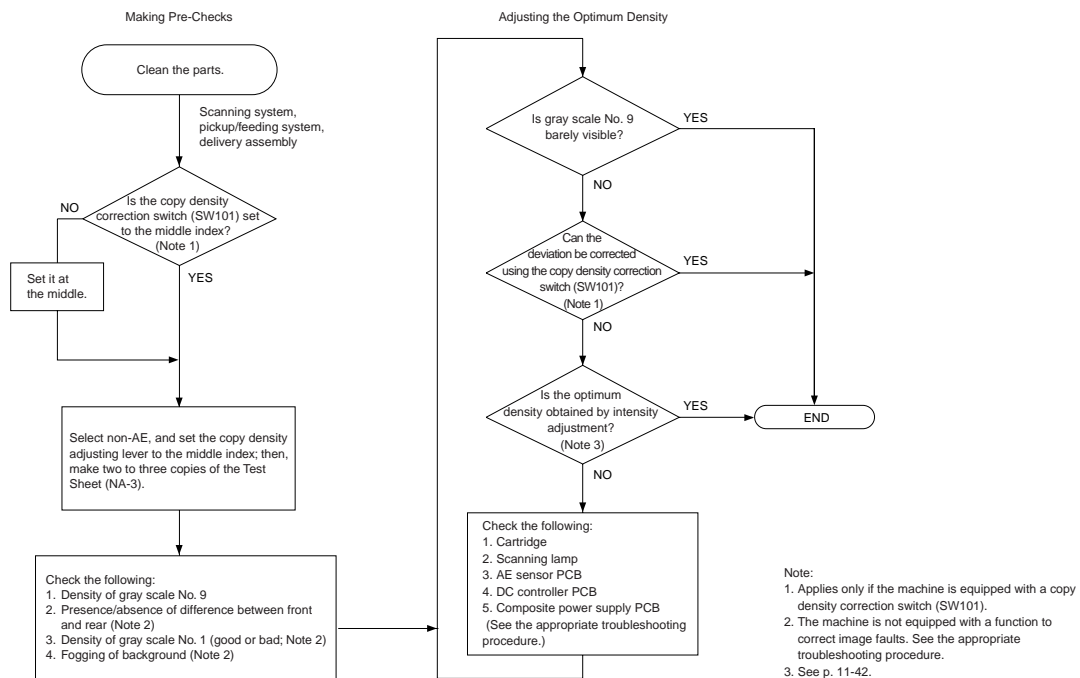
example:

J109-1 (+) Connect the positive probe.

J109-2 (-) Connect the negative probe.

I. MAINTENANCE AND INSPECTION

A. Image Adjustment Basic Procedure



B. Points to Note for Servicing

Copyboard, Scanner

| Item | Tools/solvent | Work/remarks |
|---|-----------------|---|
| Copyboard cover | Alcohol | Cleaning. |
| Copyboard glass | Alcohol | Cleaning. |
| Lens | Blower brush | Cleaning. |
| Scanning lamp | Lint-free paper | Dry wiping. |
| Reflecting plate No. 1 through No. 6 mirror | Blower brush | If dirt cannot be removed, dry-wiping with lint-free paper. |

Cartridge

| Item | Tools/solvents | Work/remarks |
|-----------------------|----------------|--|
| Drum cover shutter | Moist cloth | Cleaning; be sure to remove all toner to prevent toner soiling images. |

Fixing Assembly, Delivery Assembly

| Item | Tools/solvent | Work/remarks |
|-------------|---------------|--------------|
| Inlet guide | Solvent | Cleaning. |

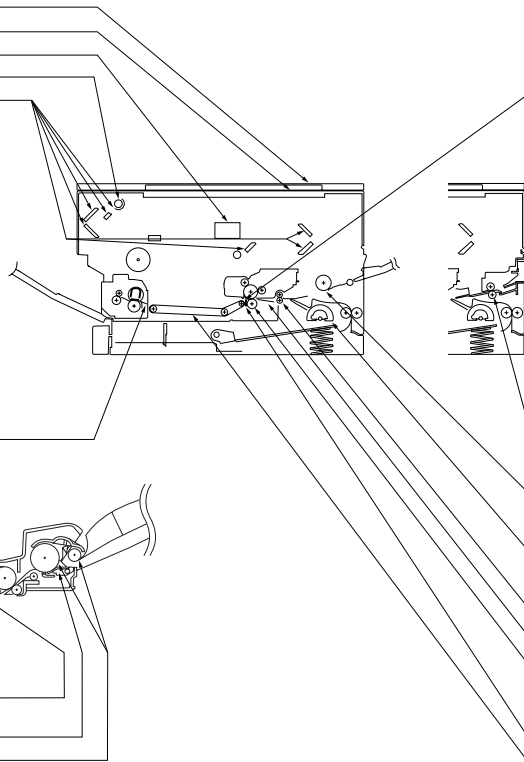
Pickup, Feeding, and Transfer Assemblies and Static Eliminator

| Item | Tools/solvents | Work/remarks |
|--------------------------------|------------------------|--|
| Single-feeder pickup roller | Moist cloth or alcohol | Cleaning. |
| Multifeeder, Pickup roller | Moist cloth or alcohol | Cleaning. |
| Cassette pickup roller | Moist cloth or alcohol | Cleaning. |
| Registration roller | Moist cloth | Cleaning. |
| Transfer guide | Moist cloth | Cleaning. |
| Transfer charging roller | Lint-free paper | Cleaning. Do not use water or solvent. Take care not to touch it or leave solvent or oil. |
| Static eliminator | Special brush | Cleaning. |
| Feed belt | Moist cloth | Cleaning. |

ADF

| Item | Tool/solvent | Work/remarks |
|----------------|---|--------------|
| Feeding belt | Cloth moistened with water* | Dry-wiping. |
| Separation pad | Cloth | Cleaning. |
| Pickup roller | Cloth moistened with water* or alcohol | Cleaning. |

*Be sure to wring it well.



II. STANDARDS AND ADJUSTMENTS

A. Mechanical

1. Copier

a. Leading Edge Non-Image Width

Make adjustments so that the leading edge non-image width is 2.0 ± 1.5 mm when the Test Sheet is copied in Direct.

Caution:

If you have performed this adjustment, be sure to adjust the image leading edge margin.

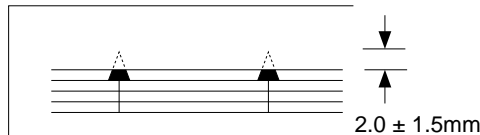


Figure 11-201

- 1) Turn VR105 on the DC controller PCB so that the width is as indicated.

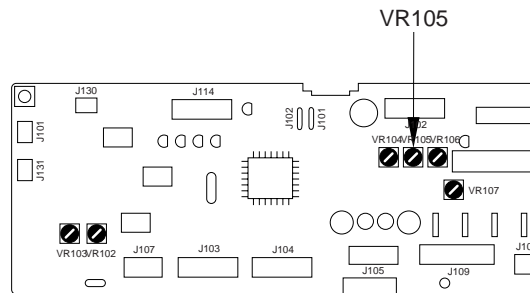


Figure 11-202

Tuning VR105 and Leading Edge Non-Image Width

| Direction of VR105 | Leading edge non-image width |
|--------------------|------------------------------|
| Clockwise | Decreases |
| Counterclockwise | Increases |

Table 11-201

b. Image Leading Edge Margin (registration activation timing)

Make adjustments so that the leading edge margin is 2.5 ± 1.5 mm when the Test Sheet is copied.

Caution:

Be sure to check that the leading edge non-image width is as indicated before performing this adjustment.

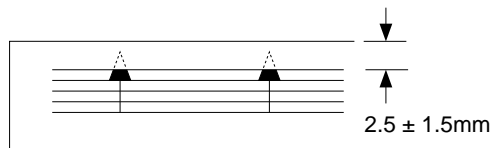


Figure 11-203

1) Turn VR104 on the DC controller PCB so that the margin is as indicated.

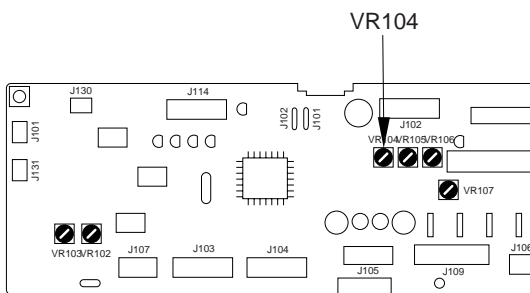


Figure 11-204

Tuning VR104 and Image Leading Edge Margin

| Direction of VR104 | Image leading edge margin |
|--------------------|---------------------------|
| Clockwise | Increases |
| Counterclockwise | Decreases |

Table 11-202

c. Adjusting the Mirror Position (optical length between No. 1 mirror and No. 2 mirror)

If you have replaced the scanner drive cable, you must adjust the mirror position, by changing the position of the cable retainer of the No. 1 mirror mount.

Reference:

1. As more and more copies are made, the cable tends to become slack, requiring adjustment.
2. If the optical length between the No. 1 mirror and the No. 2 mirror is not correct, the horizontal reproduction ratio will be wrong, causing poor sharpness or blurred images.

- 1) Fit the mirror positioning tool (FY9-3009) as shown.

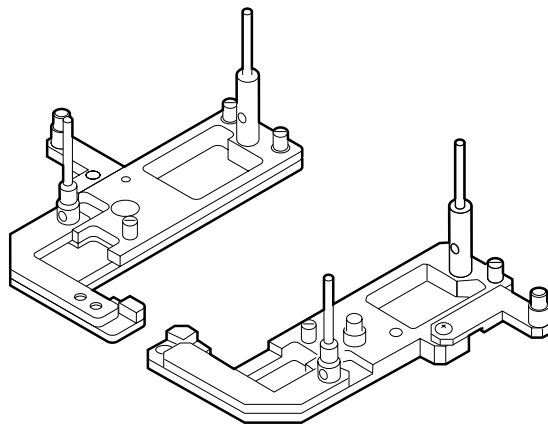


Figure 11-205

- 2) Remove the copyboard glass. (See Chapter 7.III.C.1. “Removing the Copyboard Glass”.)
- 3) Loosen the screws used to secure the cable retainer at the rear and the front of the No. 1 mirror mount [1].

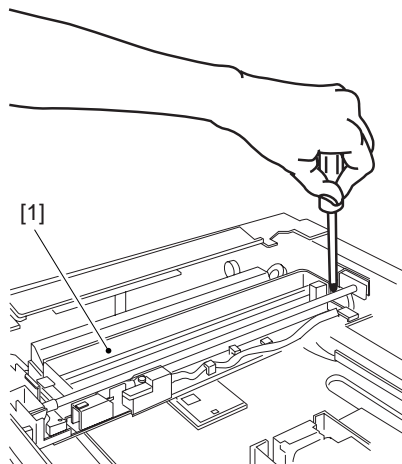


Figure 11-206

- 4) Turn the cable drive pulley [3] so that the three shafts [2] of the mirror positioning tool for the front and the rear may be arranged as shown.

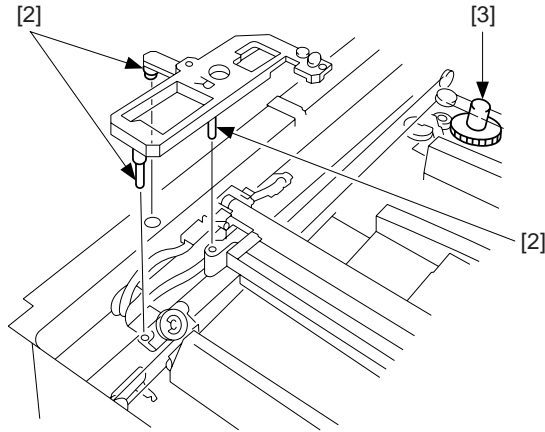


Figure 11-207 (rear)

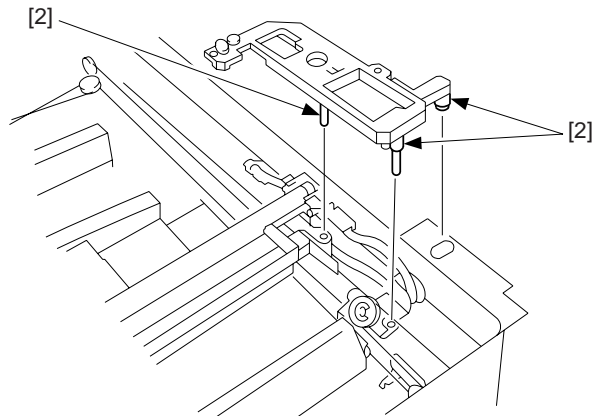


Figure 11-208 (front)

- 5) While keeping the condition of 4), tighten the positioning screw at the rear and the front of the No. 1 mirror mount [1].

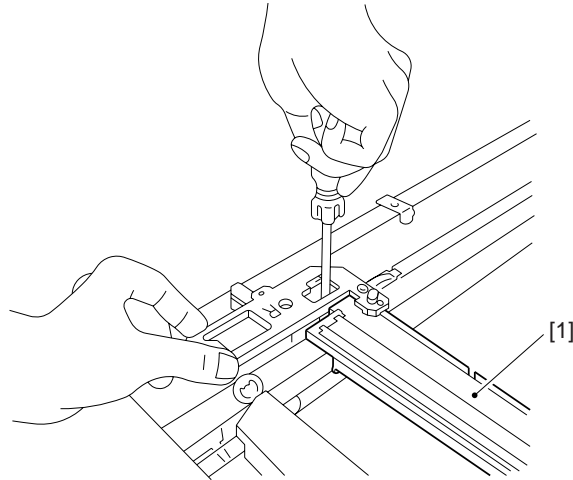


Figure 11-209 (rear)

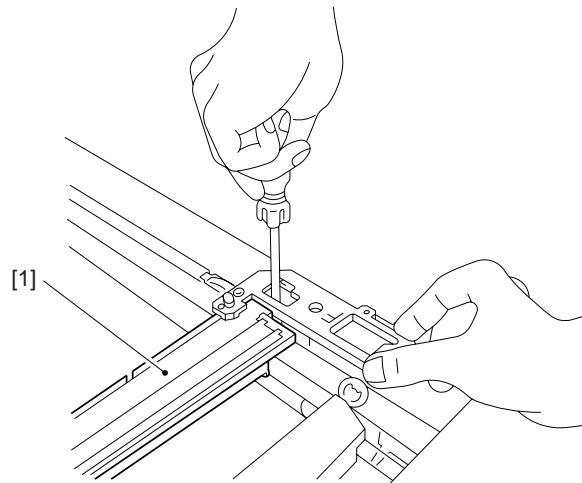


Figure 11-210 (front)

d. Checking the Force of the Cassette Spring

If the force of the spring used to hold up the holding plate of the cassette is not correct, pickup faults or the like can occur.

If a fault is suspected, check the force of the spring using a spring gauge (CK-0054), and replace the spring if it is not as indicated:

Standard: 970 ± 150 g

Making Measurements

Push the spring gauge against the middle of the spring as shown, and check to make sure that the reading of the spring gauge is 970 ± 150 g when the holding plate is 18 mm away from the bottom of the cassette.

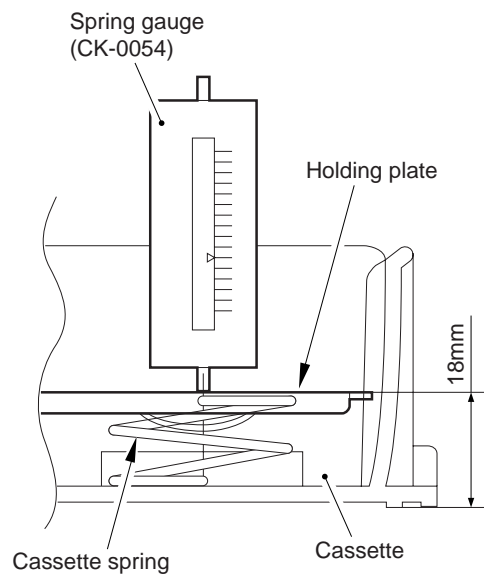


Figure 11-211

e-1. Routing the Scanner Drive Cable

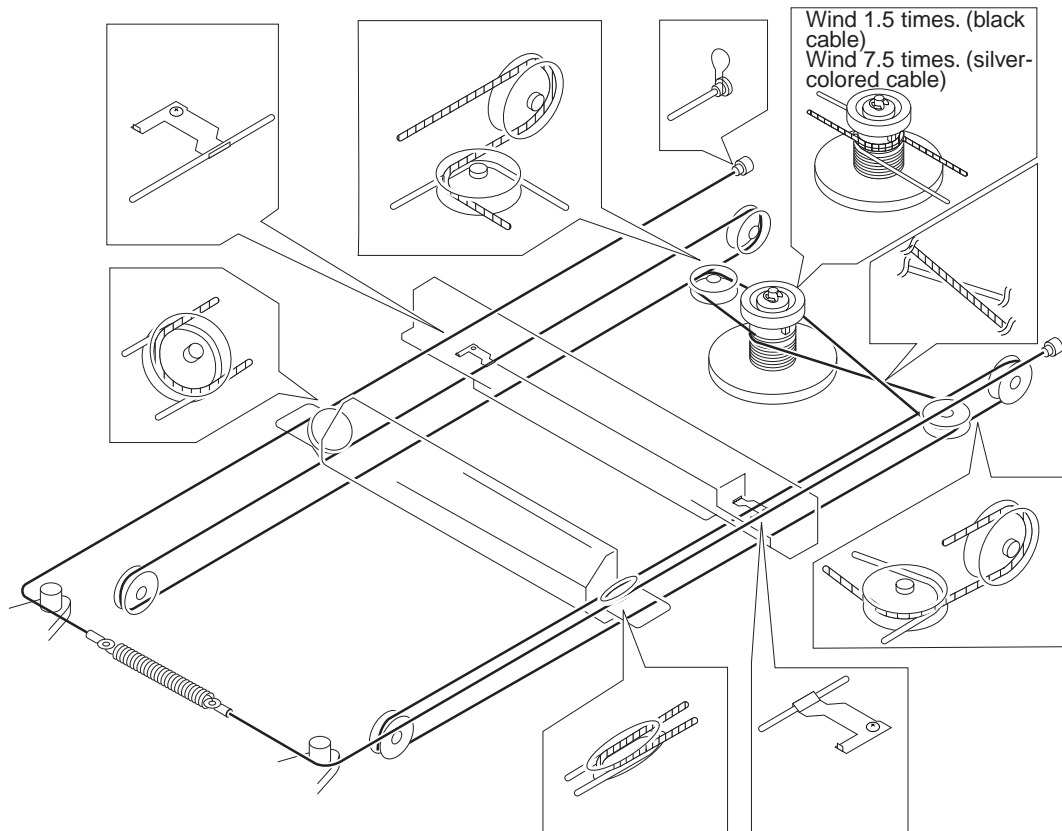


Figure 11-212

e-2. Routing the Scanner Drive Cable

1. Before Starting the Work

Prepare the following:

- Mirror positioning tool (FY9-3009)
- Cable clip (FY9-3017)
- Adhesive tape

- 1) Set the mirror positioning tool as shown.

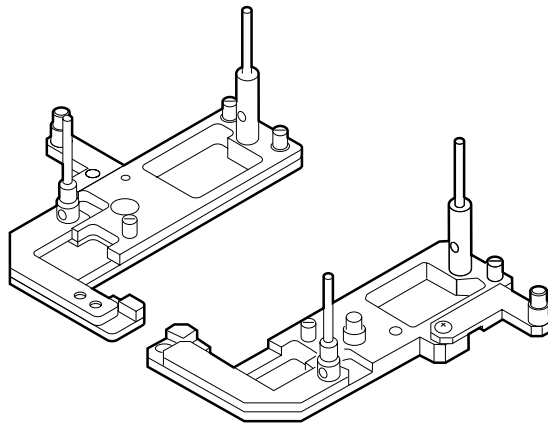


Figure 11-213

- 2) Prepare about five strips of adhesive tape (each one about 20 × 50 mm).
- 3) Remove the copyboard glass. (See Chapter 7.III.C.1. “Removing the Copyboard Glass.”)
- 4) Disconnect the connectors (J101, J131) [1] from the DC controller PCB.

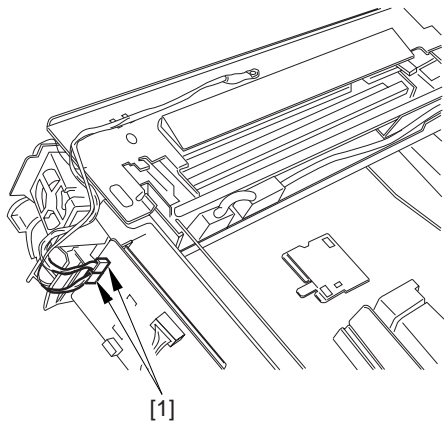


Figure 11-214

- 5) If the machine is equipped with an ADF, free the hook [2], and disconnect the two relay connectors [3] from the left upper stay [4].

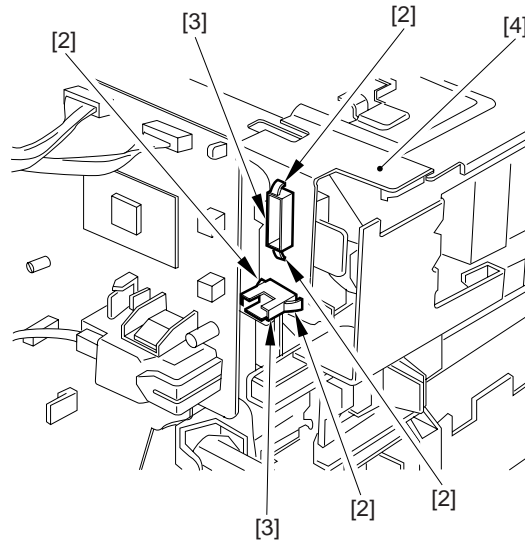


Figure 11-215

- 6) Remove the three screws [5], and detach the left upper stay [4].

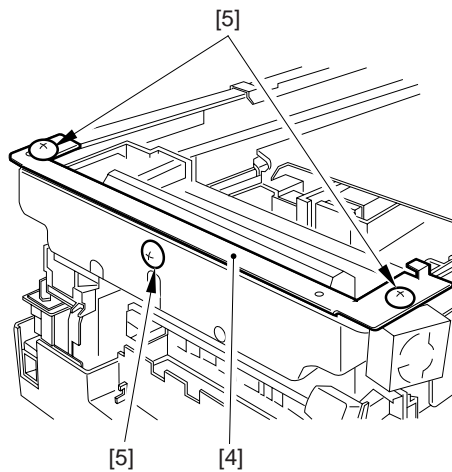


Figure 11-216

- 7) Remove the four screws [7], and detach the lens cover [8].

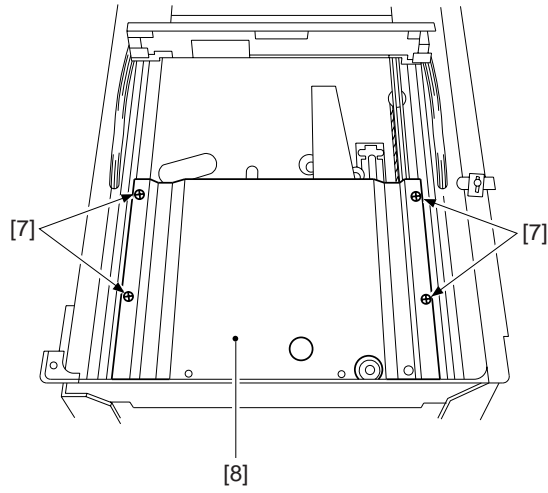


Figure 11-217

2. Routing the Reversing Cable

- 1) Wind the reversing cables (silver-colored) [2] on the cable drive pulley [1] 7.5 times with the longer of the two on top; then, secure it in position with a cable clip [3].

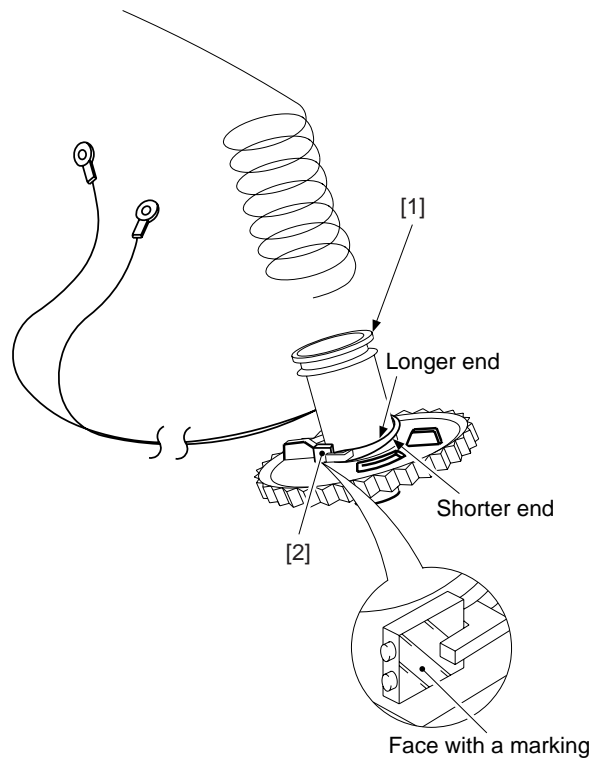


Figure 11-218

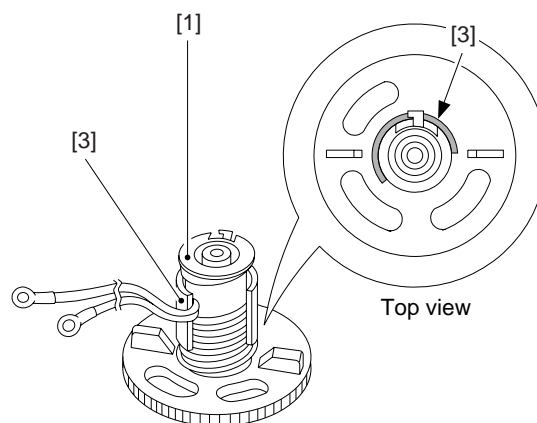


Figure 11-219

- 2) Put the cable drive pulley [1] into the shaft [4], and secure it in position with an E-ring [5].
When putting the cable drive pulley into the shaft, be sure that the hook is at the front.

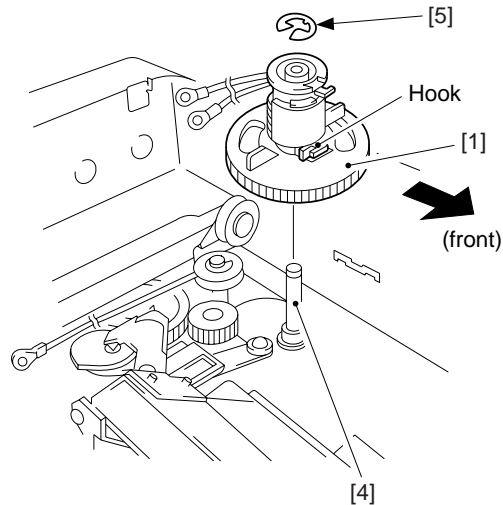


Figure 11-220

- 3) Hook the shorter end [6] on the pulley [7].

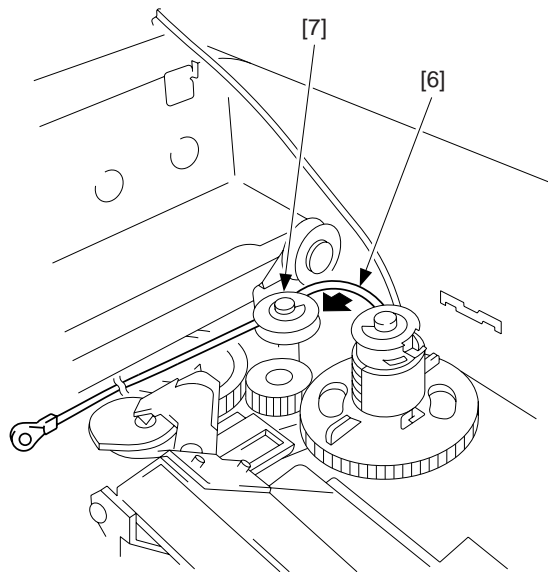


Figure 11-221

- 4) Lead the shorter end [6] under the No. 1 mirror mount [8] and the No. 2/3 mirror mount [9]; then, hook it on the left rear pulley [10] and the pulley [11] of the No. 2/3 mirror mount.

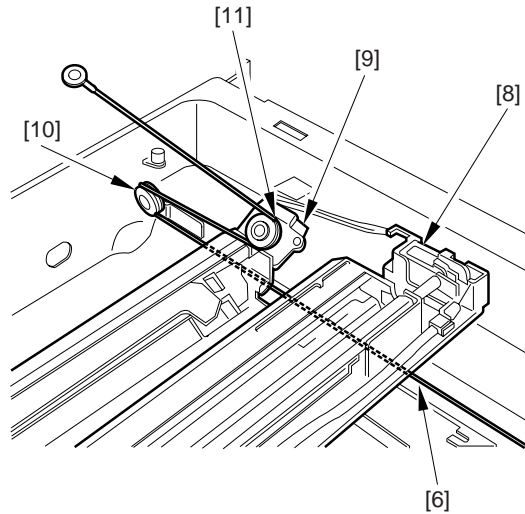


Figure 11-222

- 5) After fitting the shorter end [6] on the cable hook [12], secure its end with adhesive tape [13]. Be sure that the secured end of the cable is found where the hole in the left side plate and the tip of the cable matches.

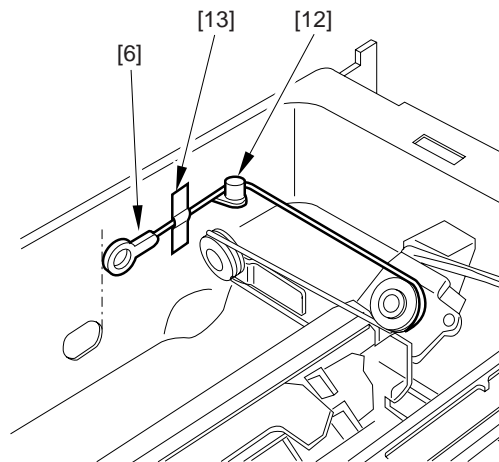


Figure 11-223

- 6) Lead the longer end [14] along the cable drive pulley, and hook it on the pulley [15] on the right front side.

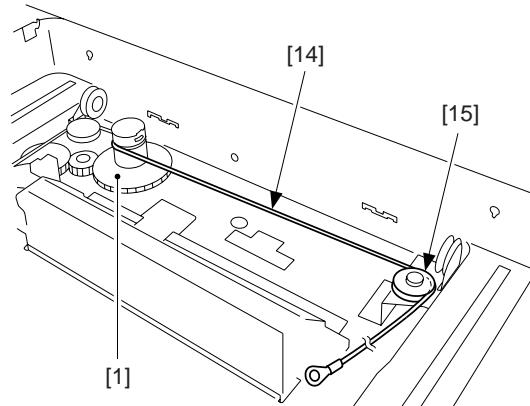


Figure 11-224

- 7) Lead the longer end [14] under the No. 1 mirror mount [8] and the No. 2/3 mirror mount [9]; then, hook it on the pulley [16] on the left front side and the pulley [17] of the No. 2/3 mirror mount.

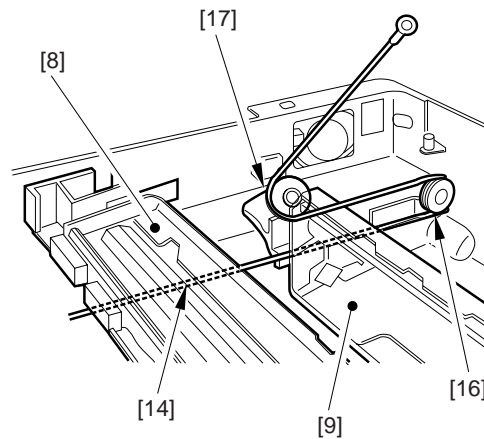


Figure 11-225

- 8) Hook the longer cable [14] on the cable hook [18]; then, secure its end to the left side with adhesive tape [19].
Be sure that the secured end of the cable is found where the hole in the left side plate and the tip of the cable matches.

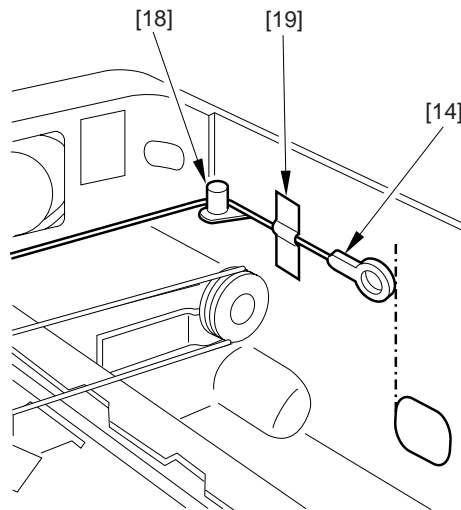


Figure 11-226

3. Routing the Forwarding Cable

- 1) Fit the longer end forwarding cable (black) [2] on the top hook of the cable drive pulley [1], and wind it 1.5 times. Then, secure the shorter end [3] as shown with adhesive tape [4].

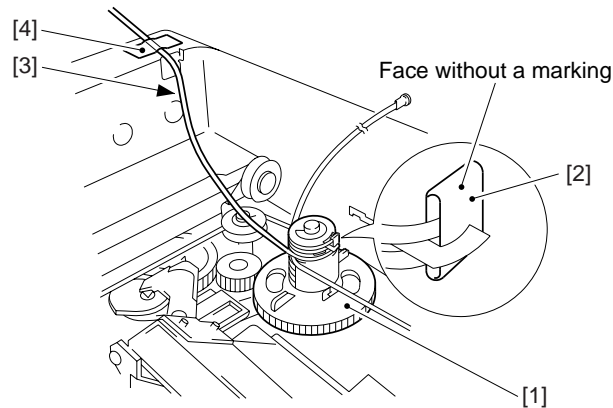


Figure 11-227

- 2) Lead the longer end [5] along the cable drive pulley [1] as shown, and hook it on the pulley [6] on the right front side.

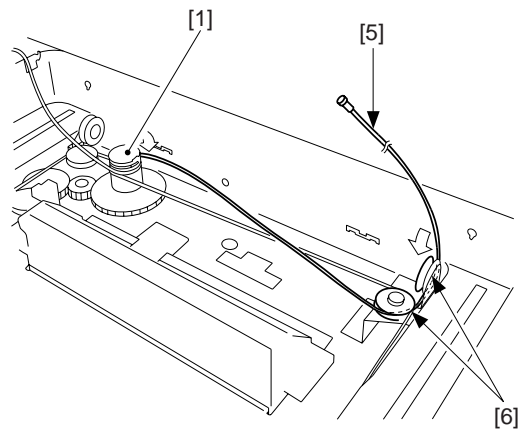


Figure 11-228

- 3) Lead the longer end [5] under the No. 1 mirror mount [7]; then, hook it on the pulley [8] of the No. 2/3 mirror mount, and lead it between the No. 1 mirror mount [7] and the scanning lamp [9].

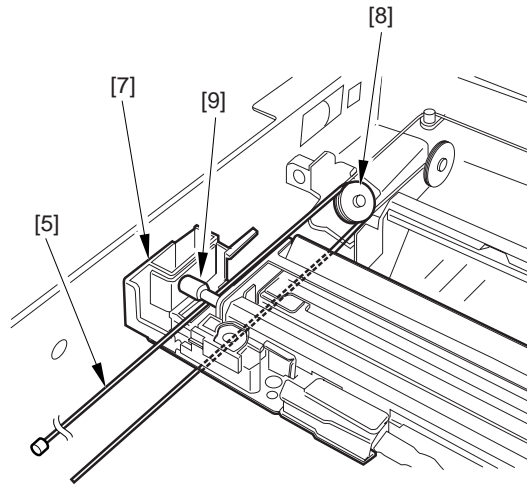


Figure 11-229

- 4) Hook the end of the longer end [5] on the hole [10] on the right side.

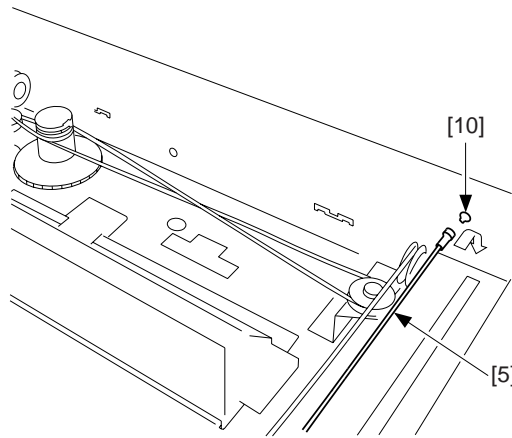


Figure 11-230

- 5) Free the shorter end [3], and hook it on the pulley [11] on the right rear side.

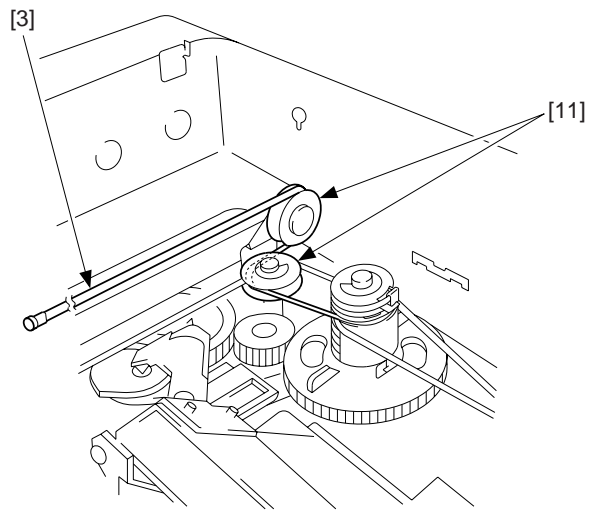


Figure 11-231

- 6) Lead the shorter end [3] under the No. 1 mirror mount [7], and hook it on the pulley [12] of the No. 2/3 mirror mount as shown; then, lead it between the No. 1 mirror mount [7] and the scanning lamp [9].

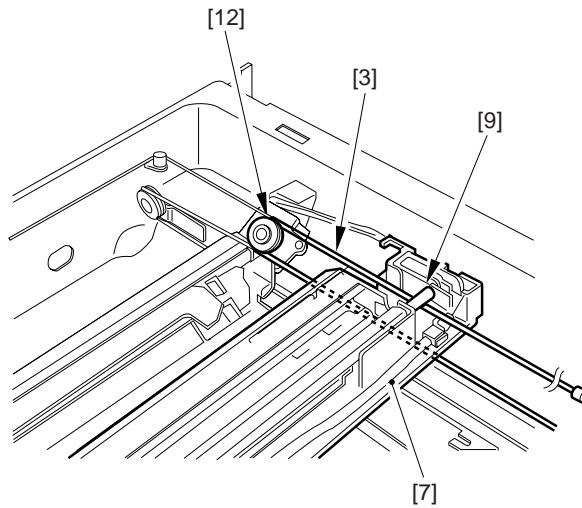


Figure 11-232

- 7) Hook the end of the shorter end [3] on the hole [13] on the right side.

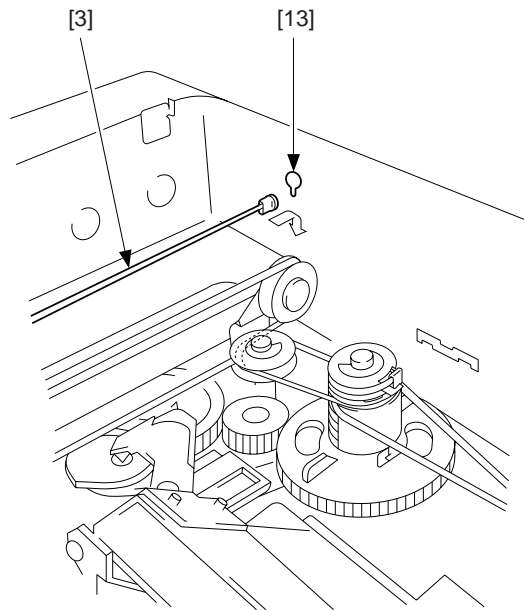


Figure 11-233

- 8) Free the shorter end [3] and the longer end [5] (reversing cable), and connect both with a spring [14]; then, fit the stopper [15].

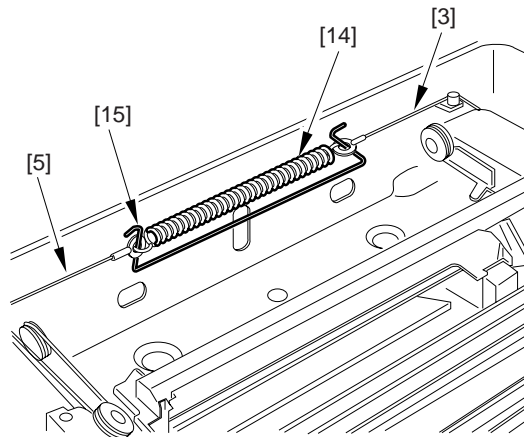


Figure 11-234

- 9) Detach the pulley clip [16] from the cable drive pulley [1].

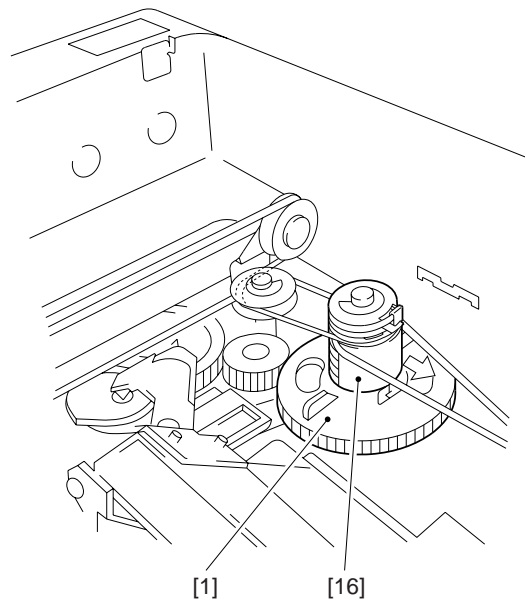
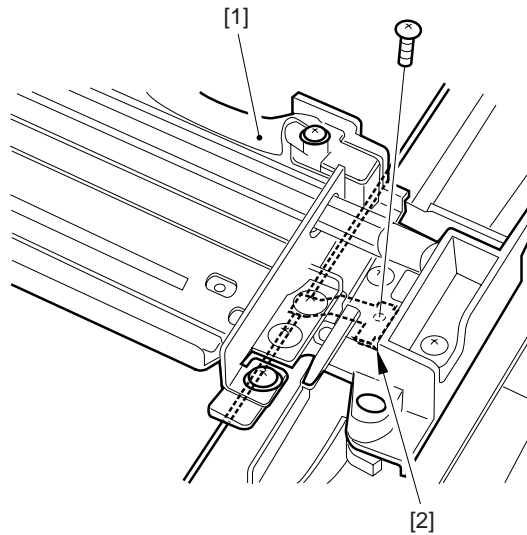
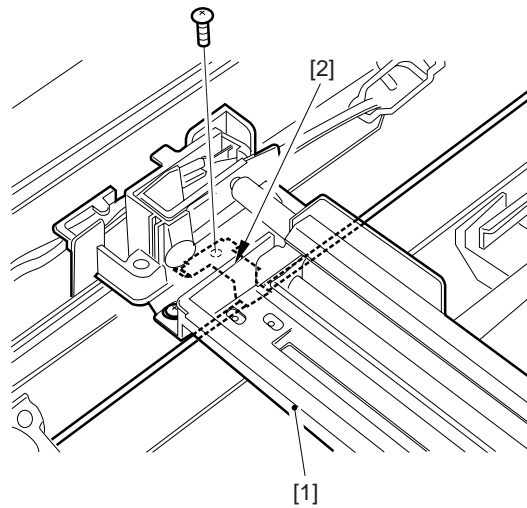


Figure 11-235

4. Positioning the No. 1 Mirror Mount

- 1) Fix the rear and the front of the No. 1 mirror mount [1] temporarily to the metal fixing [2] of the forwarding cable.

**Figure 11-236 (rear)****Figure 11-237 (front)**

- 2) Turn the cable drive pulley [4] so that the three shafts [3] of the mirror positioning tool for rear and front is as shown.

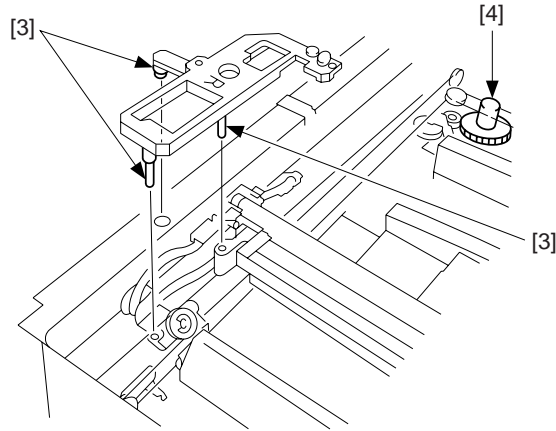


Figure 11-238 (rear)

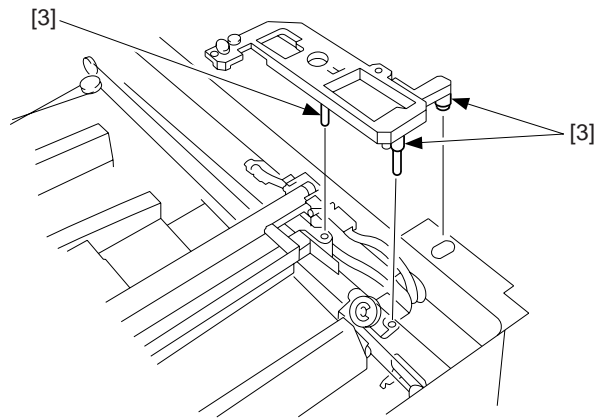


Figure 11-239 (front)

- 3) While keeping the condition of step 2), tighten the positioning screw on the rear and front of the No. 1 mirror mount [1].

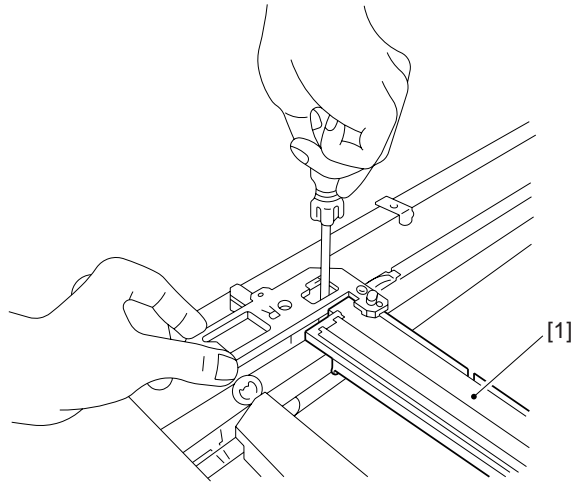


Figure 11-240 (rear)

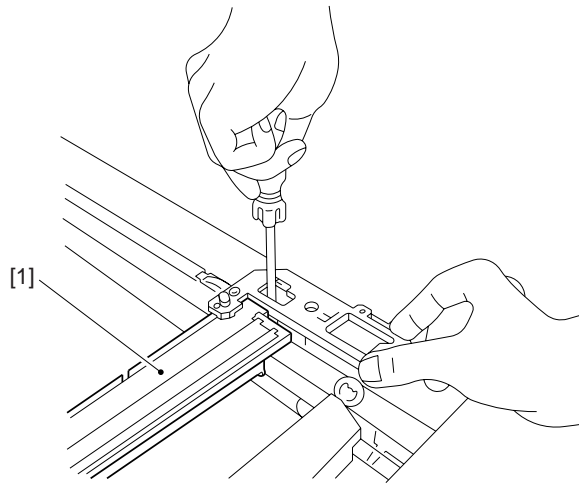


Figure 11-241 (front)

f. Point to Note When Mounting the Scanning Lamp

When mounting the scanning lamp, be sure that its logo mark (manufacturer's name) is toward the front. Further, be sure that the protrusion near its middle is as shown.

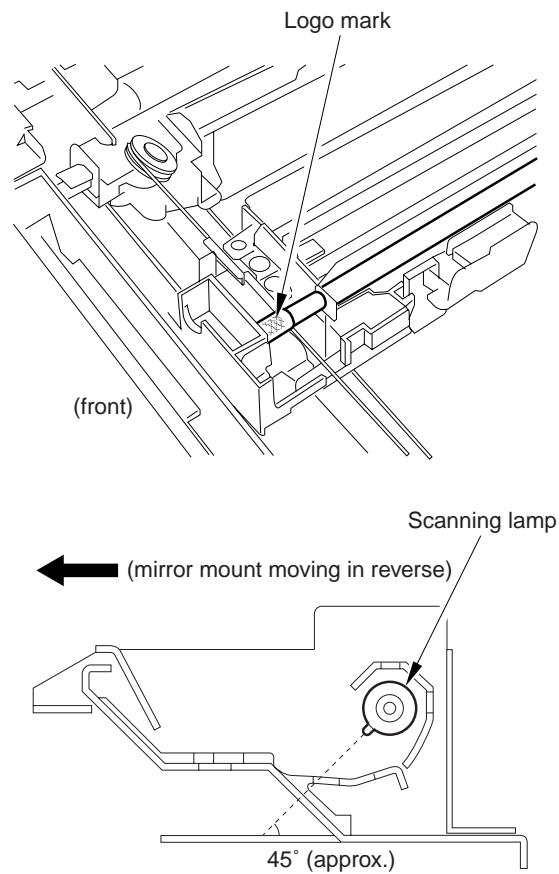


Figure 11-242

Caution:

- If you have replaced the scanning lamp, you must adjust the intensity of the lamp (p. 11-42) and perform AE adjustment.
- Do not touch the lamp when handling it.

g. Points to Note When Mounting the Fuse

When mounting the thermal fuse of the No. 1 mirror mount, be sure that the fuse is oriented as shown.

Make sure that the fuse is in contact with the reflecting plate.

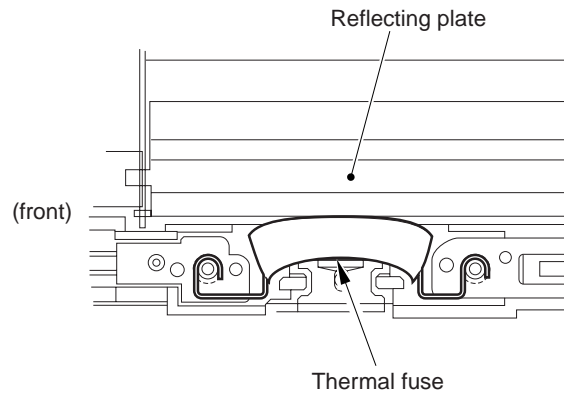


Figure 11-243

B. ADF

1. Adjusting the Original Stop Position

Adjust the original stop position in the following order:

1. Correcting original skew
2. Adjusting the rear/front original stop position
3. Adjusting the original leading edge stop position

2. Correcting Original Skew

- 1) Obtain a sheet of A4 or LTR white copy paper, and draw two lines as indicated.
 - The sheet will be used as a test sheet.

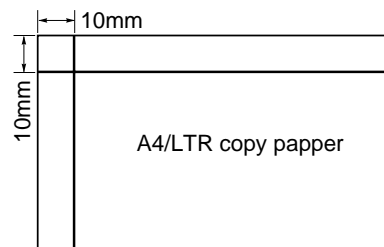


Figure 11-244

- 2) Turn on the machine, and place the test sheet prepared in step 1) on the original tray.

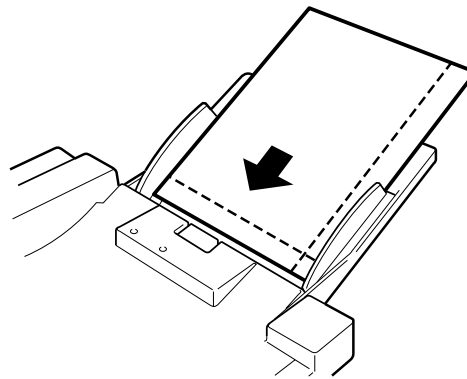


Figure 11-245

- 3) Press the Copy Start key to make a copy.
- 4) Check to make sure that the difference between L1 and L2 on the copy is 1.8 mm (standard) or less.

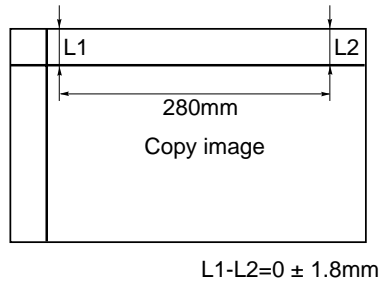


Figure 11-246

- 5) If the difference is not as specified, turn the adjusting screw found to the side of the left hinge unit to make adjustments.

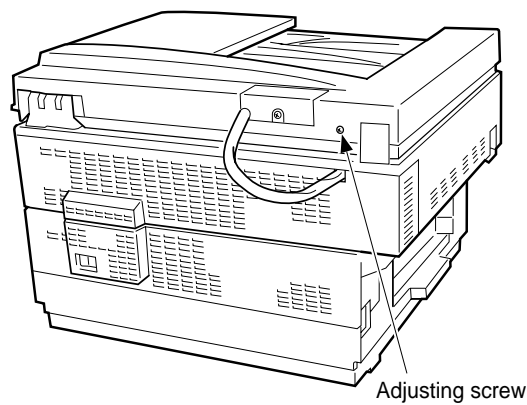


Figure 11-247

Relationship between Adjusting Screw and L1/L2

| Direction of turn | Relationship between L1 and L2 |
|-------------------|--------------------------------|
| Clockwise | $L1 > L2$ |
| Counterclockwise | $L1 < L2$ |

Table 11-203

3. Adjusting the Rear/Front Original Stop Position

You must first correct original skew before adjusting the rear/front original stop position.

- 1) Obtain a sheet of A4 or LTR white copy paper, and draw two lines as indicated.
 - The sheet will be used as a test sheet.

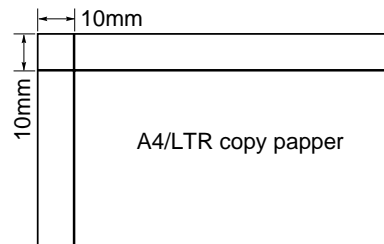


Figure 11-248

- 2) Remove the original tray cover from below the original tray.

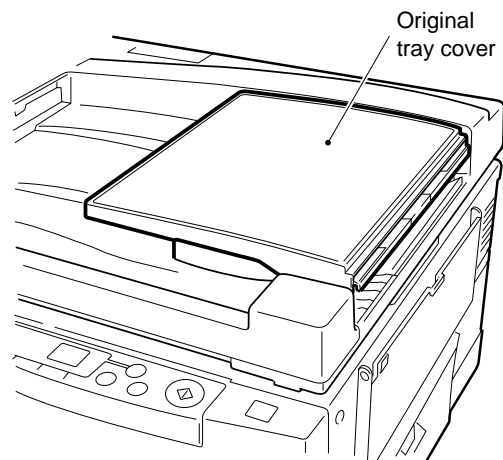


Figure 11-249

- 3) Turn on the machine, and place the test sheet prepared in step 1) on the original tray.

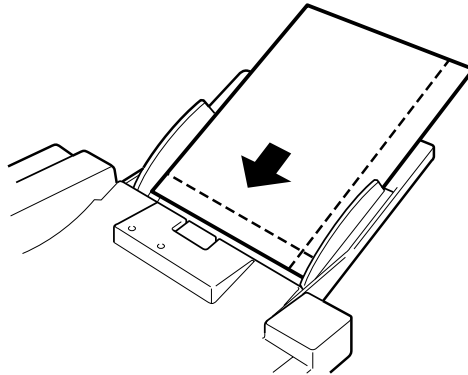


Figure 11-250

- 4) Press the Copy Start key to make a copy.
5) Check to make sure that the distance L3 on the copy image indicated is 10 ± 2.5 mm (standard) or less.

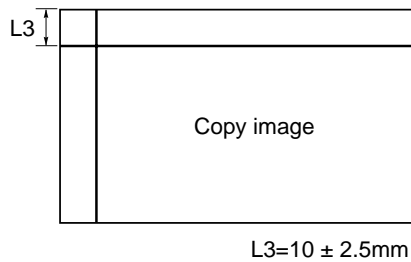


Figure 11-251

- 6) If the distance is not as specified, loosen the pinion gear positioning screw under the original tray, and adjust the position of the pinion gear.

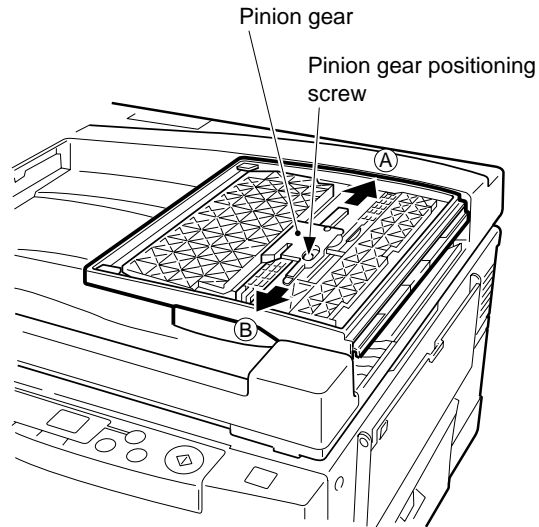


Figure 11-252

Relationship between Pinion Gear Position and L3

| Direction of pinion gear | L3 |
|--------------------------|-----------|
| A | Increases |
| B | Decreases |

Table 11-204

4. Adjusting the Original Leading Edge Stop Position

You must first correct original skew and adjust the rear/front original stop position before adjusting the original leading edge stop position.

- 1) Obtain a sheet of A4 or LTR white copy paper, and draw two lines as indicated.
 - The sheet will be used as a test sheet.

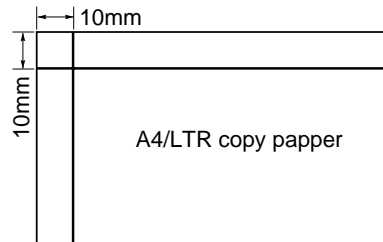


Figure 11-253

- 2) Remove the screw, and remove the ADF controller cover.

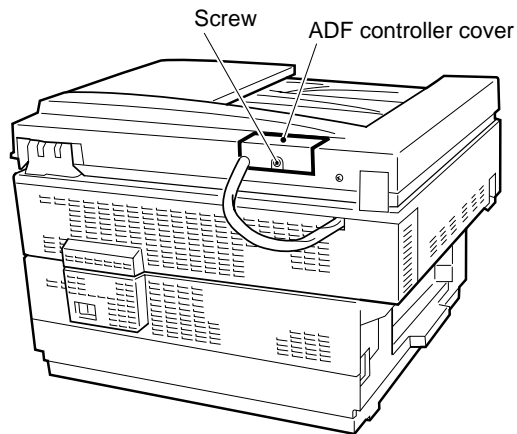


Figure 11-254

- 3) Turn on the machine, and place the test sheet prepared in step 1) on the original tray.

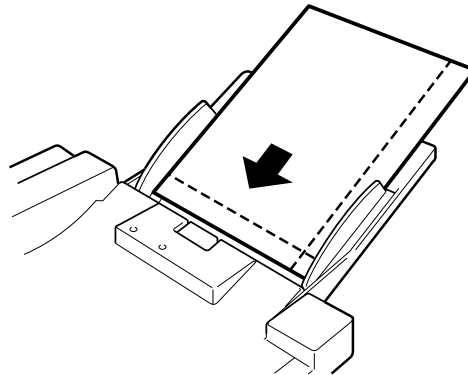


Figure 11-255

- 4) Press the Copy Start key to make a copy.
 5) Check to make sure that the distance L4 on the copy image indicated is 10 ± 2.0 mm (standard) or less.

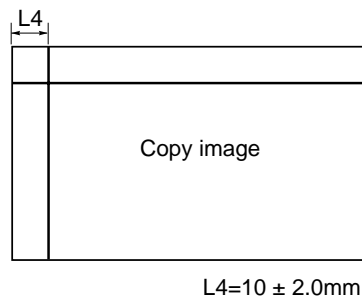


Figure 11-256

- 6) If the distance is not as specified, shift bit 1 of the DIP switch (SW1) on the ADF controller PCB to ON, and place an A4 or LTR white copy paper on the original tray.

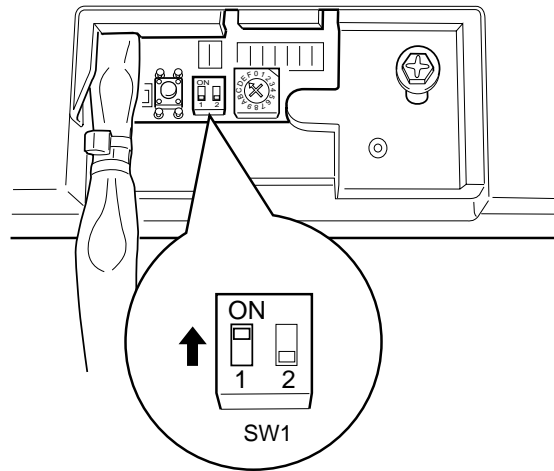


Figure 11-257

- 7) Press the push switch (PSW) on the ADF controller PCB.
- The copy paper will be picked up from the original tray and stopped on the copyboard glass.

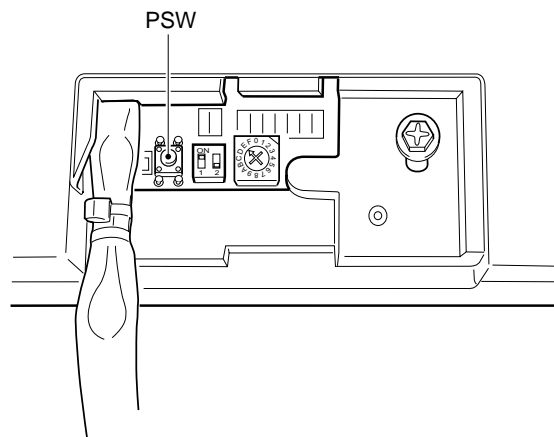


Figure 11-258

- 8) Use the rotary switch (SW2) on the ADF controller PCB to adjust the original leading edge stop position.

Moving the rotary switch by a single notch changes the original stop position by about 0.3 mm. Press the push switch (PSW) after deciding on a position to discharge the copy paper and store the optimum value.

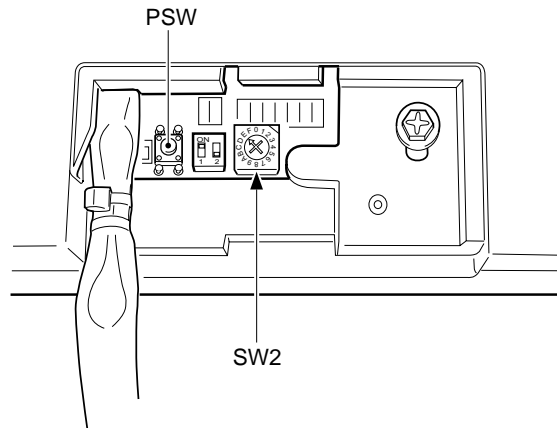


Figure 11-259

Relationship between Rotary Switch Direction and Original Position

| Direction of rotary switch | Position (shift) of original |
|----------------------------|------------------------------|
| Clockwise | Toward leading edge |
| Counterclockwise | Toward trailing edge |

Table 11-205

Example:

If L4 is 13 mm,

You must shift the original stop position toward the leading edge by 3 mm.

- 1) Place a sheet of A4 or LTR white copy paper on the original tray.
- 2) Shift bit 1 of the DIP switch (SW1) on the ADF controller PCB to ON; then, push the push switch (PSW) to pick up the copy paper.

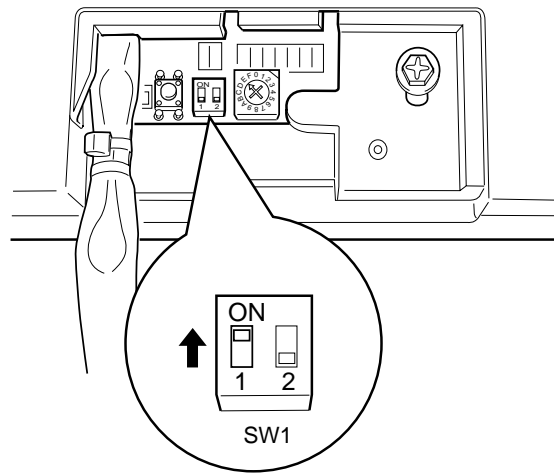


Figure 11-260

- 3) Turn the rotary switch (SW2) on the ADF controller PCB clockwise by 10 notches.

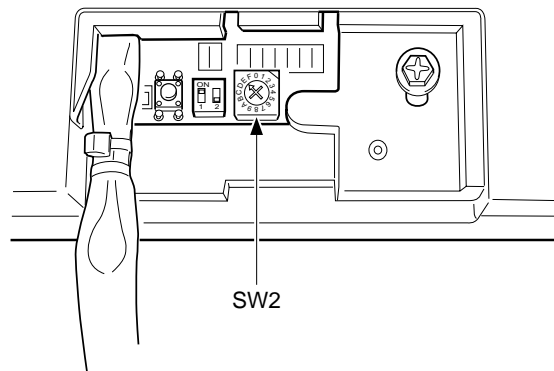


Figure 11-261

- 4) Press the push switch (PSW) on the ADF controller PCB.
 - The copy paper on the copyboard will be discharged, and the optimum value will be stored.

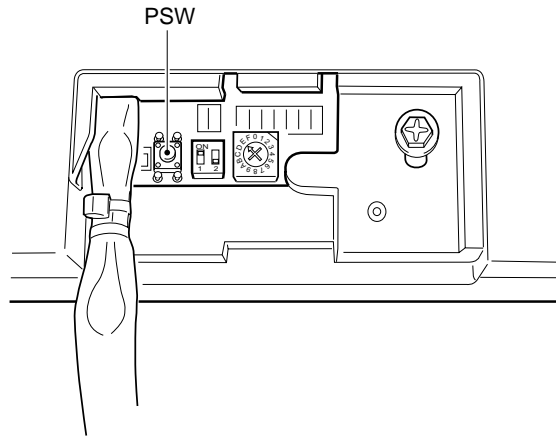


Figure 11-262

C. Electrical

1. After Replacing the Major Parts

| Parts | Adjustment |
|------------------------------|--|
| Scanning lamp | 1. Intensity of the scanning lamp 2. AE mechanism |
| AE sensor PCB | 1. AE mechanism |
| Composite power supply PCB*1 | (1. Intensity of the scanning lamp) (2. AE mechanism) |
| DC controller PCB | 1. Intensity of the scanning lamp 2. AE mechanism 3. Leading edge non-image width 4. Image leading edge margin 5. Reproduction ratio (fine adjustment) |
| ADF controller PCB | 1. Excute original leading edge stop position adjustment |

*1: If you have replaced the composite power supply PCB, check copy images using the Test Sheet; if (and only if) an image fault is found, adjust the intensity of the scanning lamp and execute AE adjustment.

Table 11-206

2. Adjusting the Intensity of the Scanning Lamp

Adjust the intensity of the scanning lamp if you have replaced any of the following:

- DC controller PCB
- Composite power supply PCB (See p.11-41.)
- Scanning lamp

Caution:

If you have performed this adjustment, you must always perform AE adjustment.

Making Adjustments

- 1) Set a cartridge in the machine.
- 2) Set the density correction switch (SW101) to its middle index.

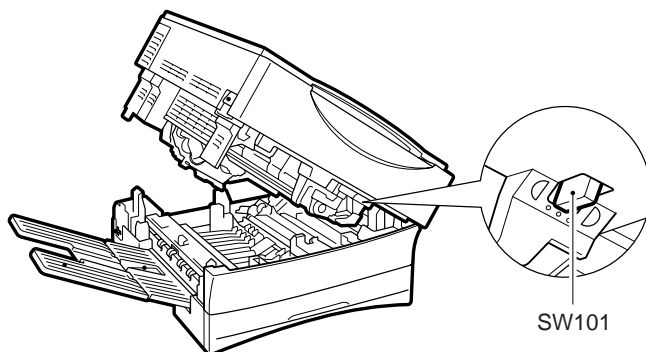


Figure 11-263

- 3) Turn off the AE mechanism, and set the copy density adjusting lever on the control panel to its middle index.
- 4) Place the Test Sheet on the copyboard, and make a copy.
- 5) Turn VR107 on the DC controller PCB gradually until gray scale No. 9 is barely visible.

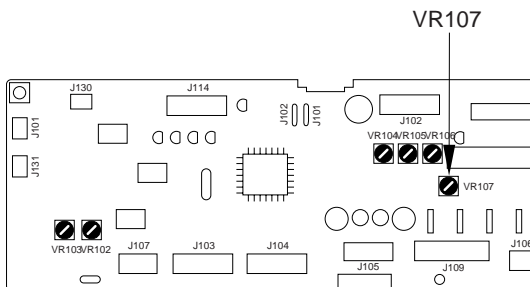


Figure 11-264

VR107 and Copy Density

| Direction of VR107 | Copy density |
|--------------------|--------------|
| Clockwise | Lighter |
| Counterclockwise | Darker |

Table 11-207

3. AE Adjustment

Perform this adjustment if you have replaced any of the following:

- DC controller PCB
- Composite power supply PCB (See p.11-41.)
- AE sensor PCB
- Scanning lamp

Making Adjustments

Before Starting the Work

- Obtain a newspaper with more or less even print. (Avoid ones with many photos or large display text.)
- Obtain five sheets of white sheets of paper.
- Be sure that the intensity of the scanning lamp has been adjusted when you have replaced the scanning lamp.
- Set the density correction switch (SW101) to the middle setting. If the machine is not equipped with a density correction switch, set the density adjusting lever to the middle setting.

- 1) Short JP103 and JP104 on the DC controller PCB.

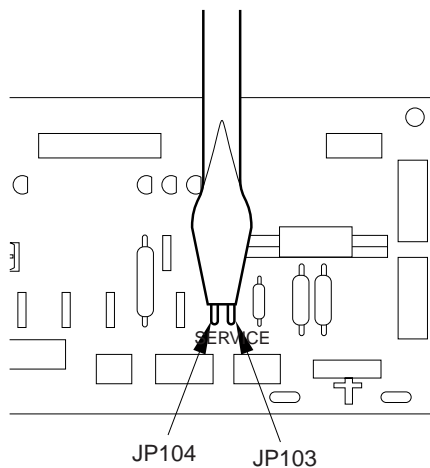


Figure 11-265

- 2) While keeping the condition in step 1), turn on the power.
 - The scanning lamp will turn on, and the main motor (M1) will rotate.
- 3) Stop shorting JP103 and JP104.

- 4) Turn VR103 on the DC controller PCB fully clockwise.

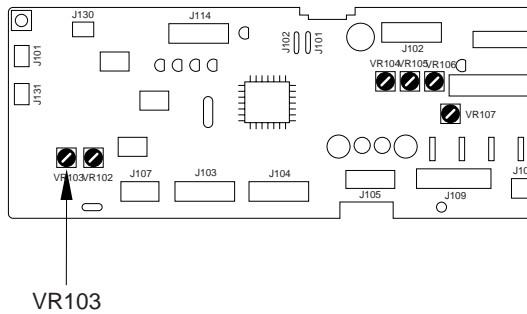


Figure 11-266

- 5) Place a newspaper on the copyboard, and close the copyboard cover.
 6) Turn VR102 so that the display indicates 'A3' to 'Ad'.

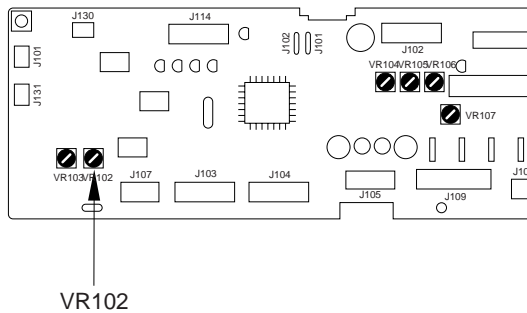


Figure 11-267

- 7) Remove the newspaper from the copyboard, and place five sheets of copy paper in its place; then, close the copyboard cover.
 8) Turn VR103 on the DC controller PCB so that the display will indicate '52' to '5c'.

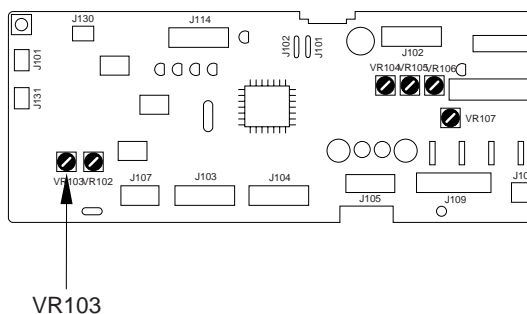


Figure 11-268

9) Repeat steps 5) through 8) so that the values of both VR102 and VR103 are target values.

Caution:

If you cannot set VR102 and VR103 to the target values at the same time, turn VR103 fully counterclockwise, and go back to step 5) and make adjustments once again.

10) Make a copy, and check to make sure that it is free of fogging and its text is adequately dark.

- If the copy is foggy or its text is too light, go back to step 1) and start over.
- If the results of adjustment for a second time are not good, make adjustments using the density correction switch (SW101).

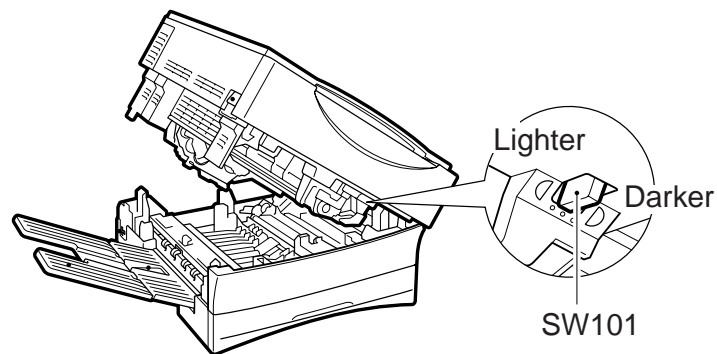


Figure 11-269

4. Adjusting the Reproduction Ratio (fine adjustment)

Adjust the reproduction ratio if you have replaced the following:

- DC controller PCB

Making Adjustments

Before Starting the Work

- Meter

- 1) Before replacing the DC controller PCB, turn on the power; then, connect the meter probes to CP23 and GND on the DC controller PCB, and measure the voltage.

+ probe CP23

- probe GND

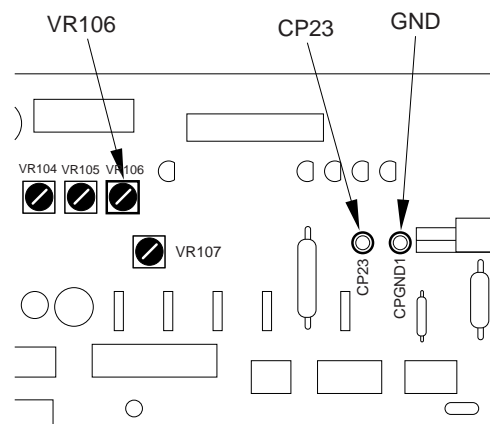


Figure 11-270

- 2) After replacing the DC controller PCB, measure the voltage as in step 1); then, turn VR106 on the DC controller PCB so that the reading is the same as before replacement.

5. Checking the Photointerrupters

- 1) Set the meter range to 12 VDC.
- 2) Connect the - probe to GND (CPGND1) on the DC controller PCB.

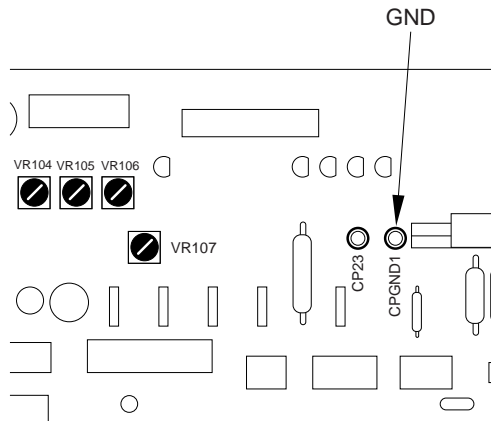


Figure 11-271

- 3) Make checks as instructed.

Reference:

The photointerrupters other than those shown in Table 11-209 are connected in a matrix, hence the omission from the table.

| Sensor | Connector | Checks | | Voltage (approx.) |
|--|-----------|---|--|-------------------|
| PS1 Scanner home position sensor (SCHP) | J101-3 | During standby, move the scanner by hand. | When the light-blocking plate is at PS1, When the light-blocking plate is not at PS1, | 5V 0V |
| PS2 Lens home position sensor (LHP) | J109-10 | During standby, move the lens mount by hand. | When the light-blocking plate is at PS2, When the light-blocking plate is not at PS2, | 5V 0V |
| PS4 Vertical path roller paper sensor (PDP) | J132-5 | During standby, move the detecting lever by hand. | When the light-blocking plate is at PS4, When the light-blocking plate is not at PS4, | 5V 0V |
| Q751 Pre-registration roller paper sensor (RPD) | J108-3 | During standby, move the detecting lever by hand. | When the light-blocking plate is at Q751, When the light-blocking plate is not at Q751, | 0V 5V |

Table 11-208

III. TROUBLESHOOTING IMAGE FAULTS

A. Making Initial Checks

1. Site Environment

Check the site against the following considerations:

- a. The voltage of the power source is as rated.
- b. The site must not be subject to high temperature or humidity (as near a water faucet, water boiler, humidifier) or dust. The machine must not be near a source of fire.
- c. The site must not be subject to ammonium gas.
- d. The machine must not be exposed to direct rays of the sun. (As necessary, instruct the user to provide curtains.)
- e. The site must be well ventilated.
- f. The machine must be kept level.

2. Checking the Originals

Check the originals to find out whether the problem in question is caused by the machine or the originals.

- a. The copy density adjusting lever is often best if set to the middle index.
- b. Originals with a red tint tend to produce copies with poor contrast; e.g., red sheets.
- c. Originals which are diazo copies or with transparency tend to produce copies which can be mistaken for "foggy" copies.

Originals prepared in pencil tend to produce copies with "light" images.

3. Copyboard Cover and Copyboard Glass

If the copyboard cover or the copyboard glass is soiled, clean it with mild detergent solution or alcohol; if scratched, replace it.

4. Lens

Check the lens for dirt. If any, clean it with a cotton swab.

5. Checking the Transfer Charging Roller

- a. Check the transfer charging roller for dirt or fault (scratches).

6. Feeding Assembly

Check the feeding assembly for dirt. If any dirt is found, clean it with a moist cloth.

7. Copy Paper

- a. Is copy paper of a type recommended by Canon?
- b. Is copy paper moist?
Try paper fresh out of package.

8. Consumable

a. Cartridge

When the cartridge starts to run out of toner, copies will start to have white lines or spots as shown.

Preface

Thank you for purchasing a Canon copier. To get the most out of your copier, its functions and the correct method of use. It is important to ensure safe operation and to use the copier in order to familiarize yourself with its capabilities. After you have read this manual, you will be able to use the copier with its capabilities. Please read this manual carefully before using this manual.

▲ CAUTION:

In this manual, CAUTION is indicated by a triangle symbol. Please read this manual carefully before using it in personal information.

Figure 11-301

Try the following as necessary:

- 1) Take out the cartridge from the machine, and shake it several times.

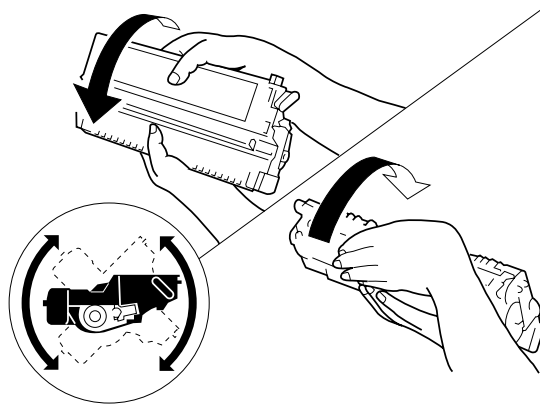


Figure 11-302

- 2) Set the cartridge back into the machine, and make copies.
 - If the copies are normal,
 - You may continue to use the cartridge, but the user must know that it must be replaced with a new cartridge soon.
 - If the copies are not normal,
 - Replace the new cartridge.

9. Others

When a machine is brought in from a cold place (e.g., warehouse) to a warm place, condensation can occur inside it, leading to various problems; e.g.,

- a. Condensation on the scanner (glass, lens, mirror, reflecting plate) will cause dark images.
- b. The drum is likely to be cold (high OPC electrical resistance), not enabling good contrast.
- c. Condensation in the pickup/feeding assembly tends to cause feeding faults.
- d. Condensation on the lower roller of the manual feed assembly will reduce friction, causing pickup faults.

If condensation is noted, dry wipe the parts in question.

The cartridge can develop condensation if it is opened immediately after it has been brought from a cold to warm place. Instruct the user so that the cartridge is not opened before it has become used to the room temperature (one to two hours).

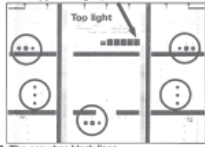
B. Image Fault Samples

NOTE: The samples are created intentionally. The NA-3 Test Sheet was copied in the direct mode in A3 and printed with a reduction of about 19%; actual images may be somewhat different.

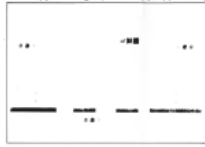
1. The copy is too light (halftone only).



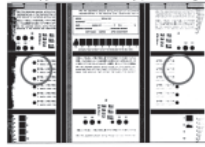
2. The copy is too light (both halftone and solid black).



3. The copy is too light (entire copy, appreciably).



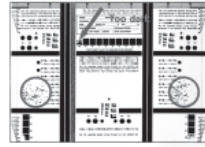
4. The copy has uneven density (darker along front).



5. The copy has uneven density (lighter along front).



6. The copy is foggy (entire copy).



7. The copy is foggy (feeding direction).



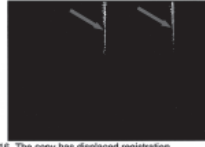
8. The copy has black lines (feeding direction, fuzzy, thick).



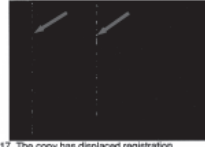
9. The copy has black lines (feeding direction, fine).



10. The copy has white strips (feeding direction).†



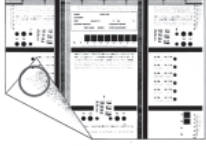
11. The copy has white lines (feeding direction).*



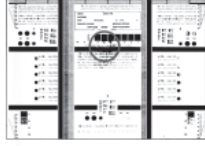
12. The copy has white strips (cross-feeding direction).



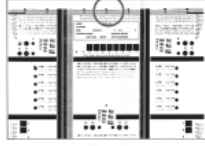
13. The back of the copy is solid.



14. The copy has poor fixing.



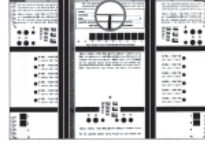
15. The copy has displaced registration (leading edge, extremely excessive margin).



16. The copy has displaced registration (leading edge, excessive margin).



17. The copy has displaced registration (leading edge, no margin).



18. The copy has blurred images.



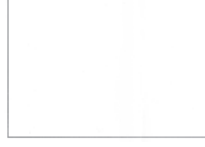
19. The copy is foggy (cross-feeding direction).



20. The copy has poor sharpness.



21. The copy is blank.



22. The copy is solid black.



* Copies made with the copyboard lifted; faults may also appear on normally made copies.
† Strips may vary in width.

C. Troubleshooting Image Faults

- | | |
|---|--|
| 1 | The copy is too light. (halftone area only) |
| 2 | The copy is too light. (including solid area) |
| 3 | The copy is too light. (enter image, appreciably) |

| Cause | Step | Checks | YES/NO | Action |
|--|------|---|--------|--|
| Lens, Reflecting plate, AE sensor, Static eliminator | 1 | Clean the lens, reflecting plate, AE sensor, and static eliminator. Is the problem corrected? | YES | End. |
| ----- | 2 | Turn off the power in the middle of a copying run, and open the machine's top unit. Is the toner image before transfer more or less normal? (Be sure to make a check in a short time to protect the drum from light.) | NO | Go to step 6. |
| Transfer charging roller | 3 | Is the transfer charging roller normal? | NO | 1. Mount the transfer charging roller correctly. 2. Replace the transfer charging roller. |
| Copy paper | 4 | Try fresh copy paper. Is the problem corrected? | YES | 1. The copy paper may be moist. Instruct the user on the correct method of storage. 2. Inform the user that using non-recommended paper may not bring the best results. |
| Transfer lower guide, Varistor | 5 | Measure the electrical resistance on the transfer lower guide plate and the side plate (metal) of the fixing assembly. Is it 0Ω? | YES | 1. Check to find out if the transfer lower guide happens to be in contact with a metal part (side plate). 2. Replace the varistor. |
| Composite power supply PCB, DC controller PCB | | | NO | 1. Check the transfer high-voltage terminal contacts for electrical continuity. 2. Check the composite power supply and the DC controller PCB. |
| Cartridge | 6 | Replace the cartridge. Is the problem corrected? | YES | End. |
| Developing bias, Developing bias terminal | | | NO | Replace the electric unit (composite power supply PCB, DC controller PCB). |

- 4 The copy has uneven density. (darker at front)**
- 5 The copy has uneven density. (lighter at front)**

| Cause | Step | Checks | YES/NO | Action |
|--------------------------|------|---|--------|--|
| Scanner | 1 | Clean the scanning lamp, reflecting plate, lens, and mirror. Is the problem corrected? | YES | End. |
| Cartridge, Scanning lamp | 2 | Turn off the power in the middle of a copying run, and open the machine. Is the toner image on the photosensitive drum before transfer more or less uneven? | YES | 1. Replace the cartridge. 2. Replace the scanning lamp. |
| Transfer charging roller | | | NO | 1. Mount the transfer charging roller correctly. 2. Replace the transfer charging roller correctly. |

- 6 The copy is foggy. (entire face)**

| Cause | Step | Checks | YES/NO | Action |
|--------------------------------|------|--|--------|--|
| ----- | 1 | Is the density correction switch (SW101) or the density adjusting lever set to the middle setting? | NO | Set the switch or the lever to the middle setting, and make a copy. If the image is still foggy, to step 2). |
| Scanner | 2 | Clean the scanning lamp, reflecting plate, lens, and mirror. Is the problem corrected? | YES | End. |
| Grounding spring | 3 | Set the cartridge in the machine. Is there electrical continuity between the PCB of the base of the drum and the machine's top unit? | NO | Check to see if the grounding spring is mounted correctly (in reference to the drum drive gear). |
| Scanning lamp, Developing bias | | | YES | 1. Check the activation of the scanning lamp. 2. Check the developing assembly. |

- 7 The copy is foggy vertically.**
- 8 The copy has black lines. (vertical, fuzzy, thick)**
- 9 The copy has black lines. (vertical, fine)**

| Cause | Step | Checks | YES/NO | Action |
|-------------------------|------|--|--------|------------------------|
| Scanner | 1 | Clean the scanning lamp, reflecting plate, lens, and mirror. Is the problem corrected? | YES | End. |
| Transfer guide assembly | 2 | Clean the transfer guide assembly. Is the problem corrected? | YES | End. |
| Cartridge | 3 | Take out and then set the cartridge once again. Is the problem corrected? | YES | End. |
| | | | NO | Replace the cartridge. |

- 10 The copy has white spots. (vertical)**
- 11 The copy has white lines. (vertical)**

| Cause | Step | Checks | YES/NO | Action |
|--------------------------|------|--|--------|---|
| Fixing assembly | 1 | Turn off the power in the middle of a copying run, and open the machine's top unit. Does the copy image before moving through the fixing assembly have white spots or white lines? | YES | Check the fixing assembly. |
| Cartridge | 2 | Shake the cartridge several times. Is the problem corrected? | YES | Inform the user that the cartridge is running out of toner. |
| Static eliminator | 3 | Clean the static eliminator. Is the problem corrected? | YES | End. |
| Transfer charging roller | 4 | Is there foreign matter or scratches in the transfer charging roller assembly? | YES | Remove the foreign matter, or replace the transfer charging roller. |
| Cartridge | | | NO | Replace the cartridge. |

12 The copy has white spots. (horizontal)

| Cause | Step | Checks | YES/NO | Action |
|--------------------------------|------|---|--------|--|
| Copy paper | 1 | Is the paper of a recommended type? | YES | Try a recommend type. If the results are good, ask the user to use a recommended type. |
| | 2 | Try paper fresh out of package. Is the problem corrected? | YES | The paper may be moist. Instruct the user on the correct method of storing paper. |
| Scanner rail | 3 | Is the problem noted at the same position on all copies? | Yes | 1. Check the scanner rail for foreign matter. 2. Adjust the tension of the scanner cable. |
| Scanning lamp, Developing bias | | | NO | Check the scanning lamp for flickering and the presence/absence of a developing bias. |

13 The back of the copy is soiled.

| Cause | Step | Checks | YES/NO | Action |
|--|------|--|--------|---|
| ----- | 1 | Turn off the power while copy paper is moving through the feeding assembly. Is the back of the paper soiled? | NO | Go to step 3. |
| Transfer guide assembly | 2 | Is the transfer guide assembly soiled? | YES | 1. Clean the transfer guide. 2. Clean the registration roller. 3. Check the varistor. 4. Check the cartridge for leakage of toner. |
| Feeding assembly | 3 | Is the feeding assembly soiled? | YES | Clean the feeding assembly. |
| Pickup guide assembly, Delivery roller | | | NO | Clean the pickup guide assembly and the delivery roller. |

14 The copy has a fixing fault.

| Cause | Step | Checks | YES/NO | Action |
|---|------|---|--------|--|
| Copy paper | 1 | Is the copy paper of a recommended type? | NO | Try a recommended type. If the results are good, ask the user to use a recommended type. |
| Fixing film | 2 | Is the problem vertical and, in addition, in the form of lines? | YES | Check the fixing film and the fixing lower roller for scratches. If there are scratches, replace them. |
| Fixing heater | 3 | Does the heater turn on when the Copy Start key is pressed? | NO | See "The fixing heater fails to turn on." |
| DC controller PCB, Composite power supply PCB | | | YES | The control temperature of the fixing heater is likely to be too low. Check the fixing assembly top unit, DC controller PCB, and composite power supply PCB. |

15 The copy has a misplaced leading edge. (extremely excess margin)

16 The copy has a misplaced leading edge. (excess margin)

17 The copy has a misplaced leading edge (no margin)

| Cause | Step | Checks | YES/NO | Action |
|--|------|--|--------|--|
| Pickup roller, Pickup clutch, Cassette | 1 | Make copies using the cassette and manually. Are the results the same? | NO | Check the pickup roller, pickup clutch, and cassette. Or, replace them. |
| Sensor (PS1), Light-blocking plate | 2 | Are the scanner home position sensor (PS1) and the light-blocking plate normal? (See the instructions on how to check the photointerrupter.) | NO | Replace the sensor, or check the light-blocking plate. |
| VR104 | 3 | Adjust the image leading edge margin. (p. 11-6) Is the problem corrected? | YES | End. |
| Solenoid (SL2), DC controller PCB | 4 | Does the registration clutch solenoid (SL2) operate normally? | NO | 1. Check the solenoid (SL2). 2. Check the DC control PCB. |
| Copy paper | 5 | Is the paper of a recommended type? | NO | Try a recommended type. If the results are good, ask the user to use a recommended type. |
| Registration clutch | | | YES | Check the registration clutch. |

18 The copy has a blurred image.

| Cause | Step | Checks | YES/NO | Action |
|---------------------|------|---|--------|--|
| Scanner drive cable | 1 | Does the cable wind on itself when the scanner is moving? Or, is the cable too slack or too taut? | YES | 1. Route the cable correctly. 2. If the cable is twisted or frayed, replace it. |
| Scanner rail | 2 | Move the No. 1 mirror mount slowly by hand. Does it move slowly? | NO | Clean the surface of the scanner rail with alcohol. Then, apply lubricant. (CK-0551) |
| ----- | 3 | Is abnormal noise heard from the scanner motor? | YES | See "The scanner fails to move forward/in reverse." |
| Feeding system | 4 | Does the copy paper spring up or stop around the transfer assembly? | YES | Check the feeding assembly for burrs. |
| Cartridge | | | NO | Replace the cartridge. |

19 The copy has horizontal fogging.

| Cause | Step | Checks | YES/NO | Action |
|--|------|--|--------|--|
| Scanning lamp | 1 | Does the scanning lamp flicker? | YES | Replace the scanning lamp. |
| Cartridge, High-voltage transformer assembly | 2 | Replace the cartridge. Is the problem corrected? | YES | End. |
| | | | NO | Check the high-voltage transformer (composite power supply PCB). |
| Scanning system | 3 | Make a reduced copy, and compare it against one made in Direct. Is the problem found at different positions? | YES | Check the scanning system. |
| Feeding system | | | NO | Check the feeding system. |

20 The copy has poor sharpness. (out-of-focus)

| Cause | Step | Checks | YES/NO | Action |
|-----------------|------|--|--------|---|
| ----- | 1 | Is the image also too light? | YES | Correct the light image problem first. |
| Original | 2 | Is the original off the copyboard glass? | YES | 1. Check the copyboard cover too see if it happens to be warping. 2. Instruct the user on the correct method of placing originals. |
| Lens | 3 | Turn off and then on the power switch. Does the lens move smoothly? | NO | Check the lens rail for foreign matter, and clean it. |
| Mirror position | 4 | Is the horizontal ratio in Direct within specification? | NO | Adjust the distance between No. 1 mirror and the No. 2 mirror. |
| Scanner | 5 | Clean the scanning lamp, reflecting plate, mirror, and lens. Is the problem corrected? | YES | End. |
| Cartridge | | | NO | Replace the cartridge. |

21 The copy is blank.

| Cause | Step | Checks | YES/NO | Action |
|---|------|---|--------|--|
| Cartridge | 1 | Is the cartridge set in the machine? | NO | Set the cartridge in the machine. |
| | 2 | Does the cartridge have toner? | YES | Replace the cartridge. |
| | 3 | Has the open seal been removed? | NO | Remove the opening seal. |
| | 4 | Set the cartridge in the machine, and close the machine. Does the drum cover shutter open properly? | NO | Check the cartridge. |
| Drum drive assembly | 5 | Does the drum drive gear rotate normally? | NO | Check the drum drive assembly. |
| High-voltage transformer | 6 | Is the primary charging terminal on the front left of the cartridge in firm contact with the high-voltage terminal at the machine's bottom? | YES | Check the high-voltage transformer (composite power supply PCB). |
| Primary high-voltage charging terminal, cartridge | | | NO | 1. Check the contacts for electrical continuity. 2. Replace the cartridge |

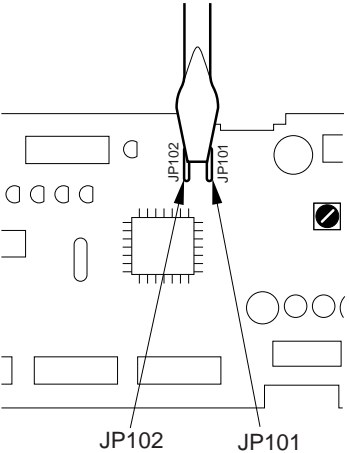
22 The copy is solid black.

| Cause | Step | Checks | YES/NO | Action |
|-------|------|--|--------|---|
| ----- | 1 | Does the scanning lamp remain on during copying? | NO | See “The scanning lamp fails to turn on.” |
| | | | YES | Is the cartridge set correctly? |

IV. TROUBLESHOOTING MALFUNCTIONS

A. Troubleshooting Malfunctions

1 E0

| Cause | Step | Checks | YES/NO | Action |
|-------|------|--|----------------------|--|
| ----- | 1 | <p>1) Turn off the power, and short JP101 and JP102 on the DC controller PCB with a screwdriver.</p>  <p style="text-align: center;">Figure 11-401</p> <p>2) While keeping the condition in step 1), turn on the power switch.</p> <p>3) Is an error code indicated in response to a press on the Copy Start key?</p> | <p>YES</p> <p>NO</p> | <p>See the instructions given for the respective error code.</p> <p>End.</p> |

2 E000

| Cause | Step | Checks | YES/NO | Action |
|----------------------------|------|--|--------|---|
| Thermistor (TH1) | 1 | Are the connection of J102 on the DC controller PCB and the wiring to the thermistor (TH1) normal? | NO | Correct the connection of J102 on the DC controller PCB and the wiring to the thermistor (TH1). |
| Heater, Fuse (FU2) | 2 | Is there electrical continuity between J207-1 and -2 on the fixing heater side? | NO | Check the wiring from the composite power supply PCB to the fixing heater; if normal, replace the fixing assembly upper unit. |
| Thermistor (TH1) | 3 | Replace the fixing upper unit. Is the problem corrected? | YES | End. |
| Composite power supply PCB | 4 | Replace the composite power supply PCB. Is the problem corrected? | YES | End. |
| DC controller PCB | | | NO | Replace the DC controller PCB. |

3 E001

| Cause | Step | Checks | YES/NO | Action |
|----------------------------|------|--|--------|---|
| Thermistor (TH1) | 1 | Are the connection of J102 on the DC controller PCB and the wiring to the thermistor (TH1) normal? | NO | Correct the connection of J102 on the DC controller PCB and the wiring to the thermistor (TH1). |
| Thermistor | 2 | Replace the fixing assembly upper unit. Is the problem corrected? | YES | End. |
| Composite power supply PCB | 3 | Replace the composite power supply PCB. Is the problem corrected? | YES | End. |
| DC controller PCB | | | NO | Replace the DC controller PCB. |

4 E002, E003

| Cause | Step | Checks | YES/NO | Action |
|----------------------------|------|---|--------|--|
| Thermistor (TH1) | 1 | Is the connection of J102 on the DC controller PCB and the wiring to the thermistor (TH1) normal? | NO | Correct the connection of J102 on the DC controller PCB and the wiring to the thermistor (TH1). |
| Heater, Fuse (FU2) | 2 | Is there electrical continuity between J207-1 and -2 on the fixing heater side? | NO | Check the wiring from the composite power supply PCB to the fixing heater; if normal, replace the fixing upper unit. |
| Thermistor (TH1) | 3 | Replace the fixing assembly upper unit. Is the problem corrected? | YES | End. |
| Composite power supply PCB | 4 | Replace the composite power supply PCB. Is the problem corrected? | YES | End. |
| DC controller PCB | | | NO | Replace the DC controller PCB. |

5 E010

| Cause | Step | Checks | YES/NO | Action |
|-------------------|------|---|--------|--|
| Wiring 1 | 1 | Are the connection of J205 on the composite power supply PCB and the wiring to the main motor (M1) normal? | NO | Correct the connection of J205 on the composite power supply PCB and the wiring to the main motor (M1). |
| Wiring 2 | 2 | Is the wiring from J203 and J202 on the composite power supply PCB to J103 and J105, respectively, on the DC controller PCB normal? | NO | Correct the connection and wiring of the connectors. |
| DC power supply | 3 | Turn on the power switch. Is the voltage between J901-1 (+) and -2 (-) on the main motor drive PCB about 24 V? | NO | Check the wiring from the main motor driver PCB to the composite power supply PCB; if normal, see "DC power fails to turn on." |
| Main motor (M1) | 4 | Replace the main motor (M1). Is the problem corrected? | YES | End. |
| DC controller PCB | | | NO | Replace the DC controller PCB. |

6 E064

| Cause | Step | Checks | YES/NO | Action |
|----------------------------|------|--|--------|--|
| Wiring | 1 | Turn off and then on the power switch; then, set the copy count to '1'. Is 'E064' indicated at the end of a copying run? | YES | Check the wiring between the DC controller PCB and the composite power supply PCB. Check the wiring between the composite power supply PCB and the high-voltage contact PCB. |
| High-voltage contact | 2 | Is the connection between the high-voltage contacts of the machine's top and bottom units normal? | NO | Correct the high-voltage contacts of the machine's top and bottom units. |
| Transfer charging roller | 3 | Is the transfer charging roller or the contact faulty? | YES | Replace the transfer charging roller. |
| Primary charging roller | 4 | Replace the cartridge. Is the problem corrected? | YES | End. |
| High-voltage cable | 5 | Does the high-voltage cable have scratches or tears? | YES | Replace the high-voltage cable. |
| Composite power supply PCB | 6 | Replace the composite power supply PCB. Is the problem corrected? | YES | End. |
| DC controller PCB | | | NO | Replace the DC controller PCB. |

7 The keys on the control panel are locked. ('E202')

| Cause | Step | Checks | YES/NO | Action |
|------------------------------------|------|---|--------|---|
| ----- | 1 | Is the scanner in the home position when 'E202' turns on? | NO | See "The scanner fails to move forward." |
| Scanner home position sensor (PS1) | 2 | Is the scanner home position sensor (PS1) normal? (For instructions on how to check photointerrupters, see p. 11-47.) | NO | Check the wiring from J101 on the DC controller PCB to PS1; if normal, replace PS1. |
| DC controller PCB | | | YES | Replace the DC controller PCB. |

8 E210

| Cause | Step | Checks | YES/NO | Action |
|---------------------------------|------|--|--------|---|
| ----- | 1 | Does the lens move when the power is turned on? | NO | See "The lens fails to move." |
| Lens home position sensor (PS2) | 2 | Is the lens home position sensor (PS2) normal? (For instructions on how to check the photointerrupters, see p. 11-47.) | NO | Check the wiring from J109 on the DC controller PCB to PS2; if normal, replace PS2. |
| DC controller PCB | | | YES | Replace the DC controller PCB. |

9 E220

| Cause | Step | Checks | YES/NO | Action |
|----------------------------|------|--|--------|---|
| ----- | 1 | Does the scanning lamp turn on when the Copy Start key is pressed? | NO | See "The scanning lamp fails to turn on." |
| Composite power supply PCB | 2 | Replace the composite power supply PCB. Is the problem corrected? | YES | End. |
| DC controller PCB | | | NO | Replace the DC controller PCB. |

10 E240

| Cause | Step | Checks | YES/NO | Action |
|----------------------------|------|--|--------|--|
| Wiring | 1 | Is the wiring from J203 and J204 on the composite power supply PCB and J103 and J104, respectively, on the DC controller PCB normal? | NO | Correct the connection and the wiring of the connectors. |
| Composite power supply PCB | 2 | Replace the composite power supply PCB. Is the problem corrected? | YES | End. |
| DC controller PCB | | | NO | Replace the DC controller PCB. |

11 E261

| Cause | Step | Checks | YES/NO | Action |
|----------------------------|------|--|--------|---|
| Power supply frequency | 1 | Turn off and then on the power switch. Is the problem corrected? | YES | End. However, if 'E261' occurs frequently, advise the user to use a frequency stabilizer. |
| Composite power supply PCB | | | NO | Replace the composite power supply PCB. |

12 E400

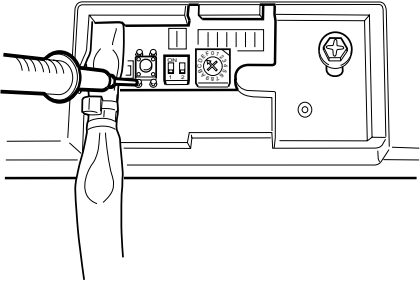
| Cause | Step | Checks | YES/NO | Action |
|--------------------|------|--|--------|--|
| ----- | 1 | Turn off and then on the power. Is the problem corrected? | YES | End. (Check the wiring between the copier's DC controller PCB and the ADF controller PCB.) |
| 5V power supply | 2 | Set the meter to the 20VDC range, and connect the + probe to the foot of the push switch on the ADF controller PCB and the - probe to the copier ground. Is the voltage about 5V?  | NO | Replace the ADF controller PCB. |
| ADF controller PCB | 3 | Replace the ADF controller PCB. Is the problem corrected? | YES | End. |
| | | | NO | Replace the copier's DC controller PCB. |

Figure 11-402

13 E803

| Cause | Step | Checks | YES/NO | Action |
|----------------------------|------|--|--------|---|
| Malfunction | 1 | Turn off and then on the power switch. Is the problem corrected? | YES | End. |
| DC controller PCB. | 2 | Replace the DC controller PCB. Is the problem corrected? | YES | End. |
| Composite power supply PCB | | | NO | Replace the composite power supply PCB. |

14 AC power fails to turn on.

| Cause | Step | Checks | YES/NO | Action |
|----------------------------|------|--|--------|---|
| Power plug | 1 | Is the power plug connected to the power outlet? | NO | Connect the power plug. |
| ----- | 2 | Turn on the power switch. Is 'E0' indicated in the display? | YES | See the descriptions under "E0." |
| Machine top unit | 3 | Is the machine's top unit closed firmly? | NO | Close the machine's top unit. |
| Power supply | 4 | Is the rated voltage present at the power outlet? | NO | Inform the user that the problem is not the machine's. |
| Fuse (FU501) | 5 | Is the fuse (FU501) on the noise filter PCB blown? (120V model: 250 V, 15 A) (220/240V model: 250 V, 6.3 A) | YES | Remove the cause, and replace the fuse. |
| Fuse (FU102) | 6 | Is the fuse (FU102) on the composite power supply PCB blown? (120V model: 125 V, 5 A) (220/240V model: 250 V, 2.5 A) | YES | Remove the cause of the problem, and replace the fuse. |
| Door switch (DS1) | 7 | Remove the door switch (DS1), and connect the meter probes to F1 and F3 or F2 and F4 of the faston of the door switch. Is the resistance about 0 Ω when the actuator is pressed and about ∞ Ω when it is released? | NO | Replace the door switch (DS1). |
| Noise filter PCB | 8 | Is the rated voltage present between J501-1 and -2? | NO | Replace the noise filter PCB. |
| Harness | 9 | Is the rated voltage present between J201-1 and J201-2? | NO | Check the connectors and the wiring if they are normal. |
| Connector connection 1 | 10 | Is there electrical continuity between J111-15 on the DC controller PCB and J301-15 on the control panel PCB? | NO | Correct the electrical continuity of J111 on the DC controller PCB and J301 on the control panel PCB. |
| Connector connection 2 | 11 | Is there electrical continuity between J204-1 on the composite power supply PCB and J104-7 on the DC controller PCB? | NO | Check the connection of J104 on the DC controller PCB and J204 on the composite power supply PCB; if normal, replace the DC controller PCB. |
| Control panel PCB | 12 | Replace the control panel PCB. Is the problem corrected? | YES | End. |
| Composite power supply PCB | | | NO | Replace the composite power supply PCB. |

15 DC power fails to turn on.

| Cause | Step | Checks | YES/NO | Action | | | | | | | | | | | | | | | | | | | | | | | | | | | | |
|----------------------------|------|--|--------------------------|--|---|---------|------|---|-----|----------------------|---|-----|---|----|---|----|---|-----|---|-----|------|---|---|--------------------------|---|---|---|-----|---|-----|-----|----------------------------------|
| AC power supply | 1 | Is AC power present between J201-1 and -2 on the composite power supply PCB? | NO | See "AC power fails to turn on." | | | | | | | | | | | | | | | | | | | | | | | | | | | | |
| Wiring, DC load | 2 | <p>Turn off the power switch, and disconnect J202 and J205 from the composite power supply PCB.</p> <p>Set the meter range to 30 VDC, and turn on the power switch. Is the voltage between the following terminals normal?</p> <table border="1" data-bbox="495 699 919 1031"> <thead> <tr> <th>Connector</th> <th>Pin</th> <th>Output</th> <th>Remarks</th> </tr> </thead> <tbody> <tr> <td rowspan="6">J202</td> <td>1</td> <td>GND</td> <td rowspan="6">To DC controller PCB</td> </tr> <tr> <td>2</td> <td>24V</td> </tr> <tr> <td>3</td> <td>5V</td> </tr> <tr> <td>4</td> <td>5V</td> </tr> <tr> <td>5</td> <td>GND</td> </tr> <tr> <td>6</td> <td>24V</td> </tr> <tr> <td rowspan="4">J205</td> <td>1</td> <td>-</td> <td rowspan="4">To main motor driver PCB</td> </tr> <tr> <td>2</td> <td>-</td> </tr> <tr> <td>3</td> <td>GND</td> </tr> <tr> <td>4</td> <td>24V</td> </tr> </tbody> </table> <p style="text-align: center;">Table 11-401</p> | Connector | Pin | Output | Remarks | J202 | 1 | GND | To DC controller PCB | 2 | 24V | 3 | 5V | 4 | 5V | 5 | GND | 6 | 24V | J205 | 1 | - | To main motor driver PCB | 2 | - | 3 | GND | 4 | 24V | YES | See the descriptions under "E0." |
| Connector | Pin | Output | Remarks | | | | | | | | | | | | | | | | | | | | | | | | | | | | | |
| J202 | 1 | GND | To DC controller PCB | | | | | | | | | | | | | | | | | | | | | | | | | | | | | |
| | 2 | 24V | | | | | | | | | | | | | | | | | | | | | | | | | | | | | | |
| | 3 | 5V | | | | | | | | | | | | | | | | | | | | | | | | | | | | | | |
| | 4 | 5V | | | | | | | | | | | | | | | | | | | | | | | | | | | | | | |
| | 5 | GND | | | | | | | | | | | | | | | | | | | | | | | | | | | | | | |
| | 6 | 24V | | | | | | | | | | | | | | | | | | | | | | | | | | | | | | |
| J205 | 1 | - | To main motor driver PCB | | | | | | | | | | | | | | | | | | | | | | | | | | | | | |
| | 2 | - | | | | | | | | | | | | | | | | | | | | | | | | | | | | | | |
| | 3 | GND | | | | | | | | | | | | | | | | | | | | | | | | | | | | | | |
| | 4 | 24V | | | | | | | | | | | | | | | | | | | | | | | | | | | | | | |
| Fuse | 3 | <p>Is the fuse (FU102) on the composite power supply PCB blown?</p> <p>⎧ 120V model: 125 V, 5 V ⎫ ⎨ 220/240V model: 250 V, 2.5 A ⎩</p> | YES | Remove the cause of the problem, and replace the fuse. | | | | | | | | | | | | | | | | | | | | | | | | | | | | |
| Composite power supply PCB | | | NO | | Replace the composite power supply PCB. | | | | | | | | | | | | | | | | | | | | | | | | | | | |

16 Pickup fails. (cassette)

| Cause | Step | Checks | YES/NO | Action | | | | | | | | | |
|---|--------|--|--------|---|---|------------------------------|--------|--------|--------------------------------|--------|--------|----|---|
| Main motor (M1) | 1 | Does the main motor (M1) rotate when the Copy Start key is pressed? | NO | See "The main motor fails to rotate." | | | | | | | | | |
| Cassette | 2 | Is the cassette set correctly? | NO | Set the cassette correctly. | | | | | | | | | |
| Paper in cassette | 3 | Is the paper in the cassette placed correctly? | NO | Instruct the user on the correct method of placing paper. | | | | | | | | | |
| Pickup clutch solenoid (SL1), Cassette pickup solenoid (SL5) | 4 | Set the meter range to 30 VDC, and connect the meter probes to the following terminals. Does the voltage change to about 24 V in keeping with pickup operation? <table border="1" data-bbox="565 760 989 926"> <thead> <tr> <th></th> <th>+</th> <th>-</th> </tr> </thead> <tbody> <tr> <td>Pickup clutch solenoid (SL1)</td> <td>J109-4</td> <td>J109-3</td> </tr> <tr> <td>Cassette pickup solenoid (SL5)</td> <td>J132-2</td> <td>J132-1</td> </tr> </tbody> </table> <p style="text-align: center;">Table 11-402</p> | | + | - | Pickup clutch solenoid (SL1) | J109-4 | J109-3 | Cassette pickup solenoid (SL5) | J132-2 | J132-1 | NO | Check the wiring from the solenoid to the DC controller PCB; if normal, replace the solenoid. |
| | + | - | | | | | | | | | | | |
| Pickup clutch solenoid (SL1) | J109-4 | J109-3 | | | | | | | | | | | |
| Cassette pickup solenoid (SL5) | J132-2 | J132-1 | | | | | | | | | | | |
| Cassette spring | 5 | Is the force of the cassette spring within specification? (See p. 11-10.) | NO | Replace the cassette spring. | | | | | | | | | |
| DC controller PCB | | | YES | Replace the DC controller PCB. | | | | | | | | | |

17 Pickup fails. (multifeeder)

| Cause | Step | Checks | YES/NO | Action | | | | | | | | | |
|---|--------|---|--------|--|---|-----------------------------------|--------|--------|------------------------------|--------|--------|----|---|
| Wrong operation | 1 | Is the multifeeder selected on the control panel? | NO | Instruct the user on the correct way of operating the machine. | | | | | | | | | |
| Main motor (M1) | 2 | Does the main motor (M1) rotate when the Copy Start key is pressed? | NO | See "The main motor fails to rotate." | | | | | | | | | |
| Paper placement | 3 | Is the paper placed in the multifeeder correctly? | NO | Instruct the user on the correct way of placing paper. | | | | | | | | | |
| Multifeeder pickup solenoid (SL4), Pickup clutch solenoid (SL1) | 4 | Set the meter range to 30 VDC, and connect the meter probes as indicated. Does the voltage change to about 24 V in keeping with pickup operation? <table border="1" style="margin-left: auto; margin-right: auto;"> <thead> <tr> <th></th> <th>+</th> <th>-</th> </tr> </thead> <tbody> <tr> <td>Multifeeder pickup solenoid (SL4)</td> <td>J109-8</td> <td>J109-7</td> </tr> <tr> <td>Pickup clutch solenoid (SL1)</td> <td>J109-4</td> <td>J109-3</td> </tr> </tbody> </table> | | + | - | Multifeeder pickup solenoid (SL4) | J109-8 | J109-7 | Pickup clutch solenoid (SL1) | J109-4 | J109-3 | NO | Check the wiring from the solenoid to the DC controller PCB; if normal, replace the solenoid in question. |
| | | | + | - | | | | | | | | | |
| Multifeeder pickup solenoid (SL4) | J109-8 | J109-7 | | | | | | | | | | | |
| Pickup clutch solenoid (SL1) | J109-4 | J109-3 | | | | | | | | | | | |
| DC controller PCB | | | YES | Replace the DC controller PCB. | | | | | | | | | |

Table 11-403

18 Pickup fails. (single-feeder)

| Cause | Step | Checks | YES/NO | Action |
|----------------------------------|------|--|--------|--|
| Main motor (M1) | 1 | Does the main motor rotate when the Copy Start key is pressed? | NO | See "The main motor fails to rotate." |
| Single-feeder paper sensor (PS5) | 2 | Is the single-feeder paper sensor (PS5) normal? | NO | Check the wiring from J113 to PS5 on the DC control PCB; if normal, replace PS5. |
| DC controller PCB | | | YES | Replace the DC controller PCB. |

19 The scanner fails to move forward.

| Cause | Step | Checks | YES/NO | Action |
|---|------|--|--------|--|
| Cable | 1 | Is the scanner drive cable routed correctly? | NO | Route the cable correctly. |
| Scanner path | 2 | Is the scanner rail soiled? Move the scanner by hand. Does it move smoothly? | NO | Check the surface of the scanner rail for dirt, foreign matter, or object which may interfere. |
| Composite power supply PCB | 3 | Set the meter range to 30 VDC, and connect the meter probes to J202-2 (+) and -1 (-) on the composite power supply PCB. Is the meter reading about 24 V? | NO | See "DC power fails to turn on." |
| Pre-registration roller paper sensor (Q751) | 4 | Is the pre-registration roller paper sensor (Q751) normal? (For instructions on how to check the photointerrupters, see p. 11-47.) | NO | Check the wiring from J108 on the DC controller PCB to Q751; if normal, replace Q751. |
| Scanner/lens drive motor (M2) | 5 | Replace the scanner/lens drive motor (M2). Is the problem corrected? | YES | End. |
| DC controller PCB | | | NO | Replace the DC controller PCB. |

20 The registration roller fails to rotate.

| Cause | Step | Checks | Yes/No | Action |
|---|------|---|--------|---|
| Main motor (M1) | 1 | Does the main motor (M1) start to rotate when the Copy Start key is pressed? | No | See "The main motor fails to rotate." |
| Pre-registration roller paper sensor (Q751) | 2 | Is the pre-registration roller paper sensor (Q751) normal? (For instructions on how to check the photointerrupters, see p. 11-47.) | No | Check the wiring from J108 on the DC controller PCB to Q751; if normal, replace Q751. |
| Registration roller spring clutch | 3 | Does the registration clutch solenoid (SL2) turn on for a moment after the Copy Start key is pressed? | No | Check the position of the solenoid; if normal, check or replace the control ring. |
| Registration clutch solenoid (SL2) | 4 | Set the meter range to 30 VDC. Does the voltage between J109-6 (+) and -5 (-) on the DC controller PCB change to about 24 V for a moment after the Copy Start key is pressed? | Yes | Check the wiring from J109 on the DC controller PCB to SL2; if normal, replace SL2. |
| DC controller PCB | | | No | Replace the DC controller PCB. |

21 The blanking lamp fails to turn on.

| Cause | Step | Checks | YES/NO | Action |
|-------------------|------|--|--------|--|
| Side blanking PCB | 1 | Remove J106 from the DC control PCB, and set the meter range to 1 k Ω ; then, connect the meter probes to J106-1 and -2 on the harness side. Is the meter reading about 20 Ω ? | NO | Check the harness; if normal, replace the side blanking PCB. |
| DC controller PCB | | | YES | Replace the DC controller PCB. |

22 The scanning lamp fails to turn on.

| Cause | Step | Checks | YES/NO | Action |
|----------------------------|------|---|--------|---|
| Scanning lamp | 1 | Turn off the power switch, and disconnect the power plug from the power outlet. Is the scanning lamp (LA1) mounted correctly? | NO | Mount the scanning lamp correctly. |
| Fuse (FU1) | 2 | Set the meter range to 1 k Ω , and connect the meter probes to both terminals of the fuse (FU1). Does the index of the meter swing? | NO | Replace the fuse (FU1). |
| Lamp | 3 | Disconnect the connector J910 from the composite power supply PCB, and set the tester range to 1k Ω . Does the tester index swing when the probes are connected to J910-1 and J910-3 on the lamp side? | NO | Check the cable from the composite power supply PCB to the lamp; if normal, replace the lamp. |
| DC controller PCB | 4 | Replace the DC controller PCB. Is the problem corrected? | YES | End. |
| Composite power supply PCB | | | NO | Check the wiring between the DC controller PCB and the composite power supply PCB; if normal, replace the composite power supply PCB. |

23 The lens fails to turn on.

| Cause | Step | Checks | YES/NO | Action |
|-------------------------------|------|--|--------|---|
| Lens solenoid (SL3) | 1 | Does the lens solenoid (SL3) turn on when the power switch is turned on? | NO | Check the wiring from J109 on the DC controller PCB to SL3; if normal, replace SL3. |
| Lens cable, Pulley, Rail | 2 | Are the lens cable, pulley, and rail normal? | NO | Check the lens cable, pulley, and rail; as necessary, clean the cable and adjust its tension. |
| DC power supply | 3 | Set the meter range to the 30 VDC, and connect J202-2 (+) and -1 (-) on the composite power supply PCB. Is the meter reading about 24 V? | NO | See "DC power fails to turn on." |
| Scanner/lens drive motor (M2) | 4 | Replace the scanner/lens drive motor (M2). Is the problem corrected? | YES | End. |
| DC control PCB | | | NO | Replace the DC controller PCB. |

24 The fixing heater fails to turn on.

| Cause | Step | Checks | YES/NO | Action |
|----------------------------|------|--|--------|---|
| ----- | 1 | Is 'E0' indicated? | YES | See the descriptions under "E0." |
| DC controller PCB | 2 | Replace the DC controller PCB. Is the problem corrected? | YES | End. |
| Composite power supply PCB | | | NO | Replace the composite power supply PCB. |

25 The "Add Paper" message fails to turn off.

| Cause | Step | Checks | YES/NO | Action |
|---|------|---|--------|---|
| Cassette | 1 | Is the cassette set correctly? | NO | Set the cassette correctly. |
| Lens cable, Pulley, Rail | 2 | Are the lens cable, pulley, and rail normal? | NO | Check the lens cable, pulley, and rail; as necessary, clean the cable and adjust its tension. |
| DC power supply | 3 | Set the meter range to 30 VDC, and connect the meter probes to J202-2 (+) and -1 (-) on the composite power PCB. Is the meter reading about 24 V? | NO | See "The DC power fails to turn on." |
| Vertical path roller paper sensor (PS4) | 4 | Is the vertical path roller paper sensor (PS4) normal? (For instructions on how to check the photointerrupters, see p. 11-47.) | NO | Check the wiring from J132 on the DC controller PCB to PS4; if normal, replace the PS4. |
| Control panel PCB | 5 | Replace the control panel PCB. Is the problem corrected? | YES | End. |
| DC controller PCB | | | NO | Replace the DC controller PCB. |

26 The "Jam" message fails to turn off.

| Cause | Step | Checks | YES/NO | Action |
|-------------------|------|---|--------|--|
| Jam paper | 1 | Is the jam paper near any of the following sensors? <ul style="list-style-type: none"> • Vertical path roller paper sensor (PS4) • Single-feeder paper sensor (PS5) • Pre-registration roller paper sensor (Q751) • Delivery sensor (PS3) | YES | Remove the jam paper. |
| Sensor | 2 | Is the sensor checked in step 1 normal? (For instructions on how to check the photointerrupters, see p. 11-47.) | NO | Check the wiring from the DC controller PCB to each sensor; if normal, replace the sensor in question. |
| DC controller PCB | | | YES | Replace the DC controller PCB. |

V. TROUBLESHOOTING FEEDING PROBLEMS

A. Copy Paper Jam

Inside the machine, jams tend occur in the following blocks:

- [1] Pickup block
- [2] Separation/feeding block
- [3] Fixing/delivery block

The troubleshooting procedures that follow are organized according to the location of a jam.

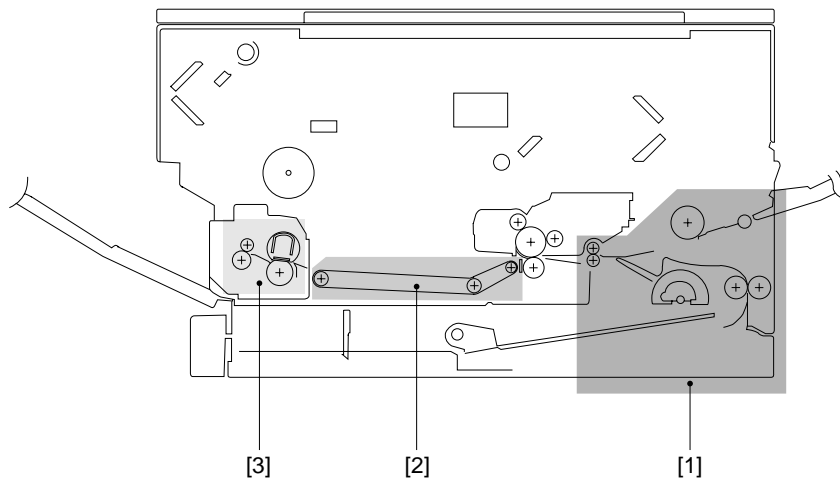


Figure 11-501

1 Pickup Assembly

| Cause | Step | Checks | YES/NO | Action |
|---|------|---|--------|---|
| ----- | 1 | Does the problem occur when the cassette is selected as the source of paper? | NO | Go to step 5. |
| Cassette | 2 | Is the cassette set correctly? | NO | Set the cassette correctly. |
| Copy paper | 3 | Is the copy paper curled or wavy? | YES | Replace the copy paper. Instruct the user on the correct method of storing paper. |
| Copy paper | 4 | Try paper recommended by Canon. Is the problem corrected? | YES | Ask the user to use recommended paper. |
| DC controller PCB, Pickup clutch | 5 | Does the pickup roller of the pickup assembly of the selected source (cassette, manual feeder) rotate during a copying run? | NO | See "Pickup fails" for the source of paper in question. |
| Registration roller drive assembly | 6 | Does the registration roller operate normally? | NO | See "The registration roller fails to rotate." |
| Vertical path roller paper sensor (PS4) | 7 | Does the vertical path roller paper sensor operate normally? | NO | Replace the sensor or the lever. |
| Pickup roller, Vertical path roller, Roll | | | YES | Check the roller for wear and deformation, and the roll for attachment. |

2 Separation/Feeding Assembly

| Cause | Step | Checks | YES/NO | Action |
|---|------|---|--------|--|
| Copy paper | 1 | Try paper recommended by Canon. Is the problem corrected? | YES | Ask the user to use recommended paper. |
| | 2 | Is the copy paper curled, wavy, or otherwise deformed? | YES | Replace the paper. |
| Feeding assembly | 3 | Is there foreign matter in the feeding assembly? | YES | Instruct the user on the correct method of storing paper. |
| Feed belt, Roller | 4 | Is the feed belt rotating properly? | NO | Remove the foreign matter. |
| Static eliminator | 5 | Is the static eliminator soiled with toner or the like? | YES | Check the belt and the roller. |
| Pre-registration roller paper sensor (Q751) | 6 | Does the pre-registration roller paper sensor operate normally? | NO | Replace the sensor or the lever. |
| Registration roller | 7 | Is the registration roller worn, deformed, or soiled? | YES | Clean the static eliminator. If dirt is found, clean with alcohol; if wear or deformation is found, replace it. |
| Registration-related spring, Spring clutch of registration assembly | | | NO | 1. Check the spring used to control registration. 2. Check the spring clutch of the registration assembly. |

3 Fixing/Delivery Assembly

| Cause | Step | Checks | YES/NO | Action |
|----------------------------------|------|--|--------|---|
| Inlet guide | 1 | Is the fixing inlet guide soiled with toner? | YES | Clean the guide with solvent. |
| Fixing lower roller, Fixing film | 2 | Is the fixing lower roller or the fixing film deformed or scratched? | YES | Replace the roller or the fixing assembly upper unit. |
| Delivery paper detecting lever | 3 | Does the delivery detecting lever move smoothly? | NO | Make adjustments so that it moves smoothly. |
| Delivery sensor (PS3) | 4 | Does the delivery sensor operate normally? | NO | Replace the sensor. |
| Delivery roller drive assembly | 5 | Does the delivery roller operate smoothly? | NO | Check the delivery roller drive assembly. |
| Leading edge margin | | | YES | Check the leading edge of copy paper for margin. |

B. Faulty Feeding

1 Double-Feeding

| Cause | Step | Checks | YES/NO | Action |
|-----------------|------|---|--------|---|
| Cassette | 1 | Is the copy paper placed under the claw properly? | NO | Place the copy paper properly. |
| | 2 | Push down the copy paper inside the cassette. Does it move up when let go with its end coming under the claw? | NO | 1. Check the copy paper width. 2. Check the position of the side guide plate of the cassette. (universal cassette only) 3. Measure the force of the spring of the cassette; if faulty, replace the cassette spring. |
| | 3 | Is the sheets of paper placed in the cassette uneven? | YES | Even out the sheets in the cassette. |
| Copy paper | 4 | Is the paper of a type recommended by Canon? | NO | Ask the user to use recommended paper. |
| Claw (cassette) | | | YES | Check the claw for deformation. |

2 Wrinkles

| Cause | Step | Checks | YES/NO | Action |
|--|------|--|--------|---|
| Pickup assembly, Vertical path roller, Registration roller | 1 | Turn off the power while copy paper is moving through the feeding assembly. Is the copy paper wrinkled or found askew? | YES | <ul style="list-style-type: none"> • Check the pickup assembly. • Check the vertical path roller. • Check the registration roller. |
| Copy paper | 2 | Try fresh paper. Is the problem corrected? | YES | The paper is moist. Instruct the user on the correct method of storing paper. |
| | 3 | Try paper of a type recommended by Canon. Is the problem corrected? | YES | Ask the user to use recommended paper. |
| Fixing assembly | 4 | Is the inlet guide soiled with toner? | NO | Check the fixing assembly. |
| Inlet guide | | | YES | Clean the inlet guide with solvent. |

VI. ARRANGEMENT AND FUNCTIONS OF ELECTRICAL PARTS

A. Sensors and Solenoids

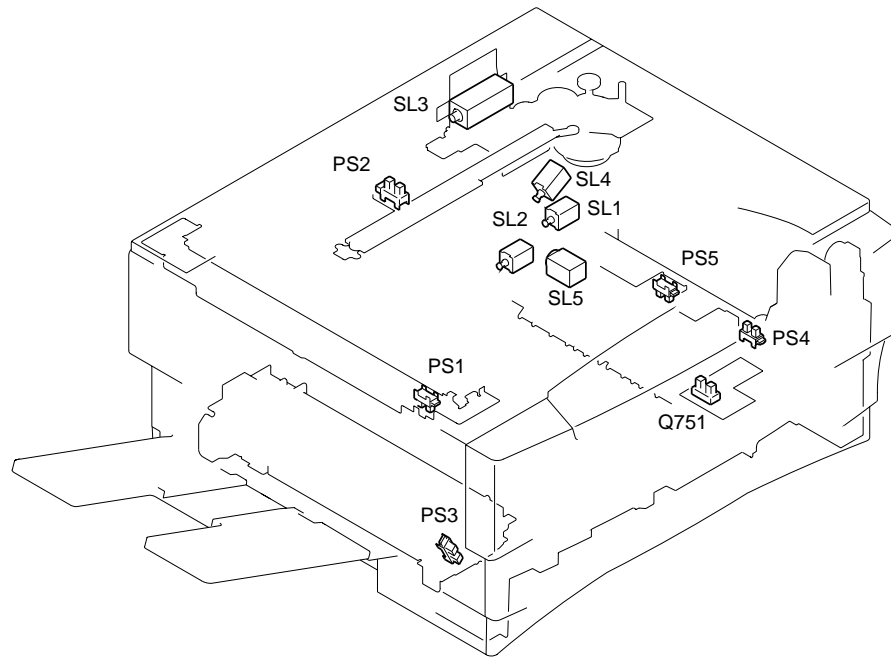
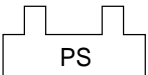
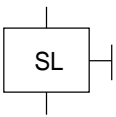


Figure 11-601

| Symbol | Name | Notation | Description | Remarks |
|---|-------------------|----------|---|-------------------------|
|  PS | Photointerrupters | PS1 | Scanner home position detection | Single-feeder type only |
| | | PS2 | Lens home position detection | |
| | | PS3 | Delivery assembly paper detection | |
| | | PS4 | Vertical path assembly paper detection | |
| | | PS5 | Single-feeder paper detection | |
| | | Q751 | Pre-registration roller paper detection | |
|  SL | Solenoid | SL1 | Pickup clutch solenoid | Multifeeder type only |
| | | SL2 | Registration clutch solenoid | |
| | | SL3 | Lens solenoid | |
| | | SL4 | Multifeeder pickup solenoid | |
| | | SL5 | Cassette pickup solenoid | |

B. Switches

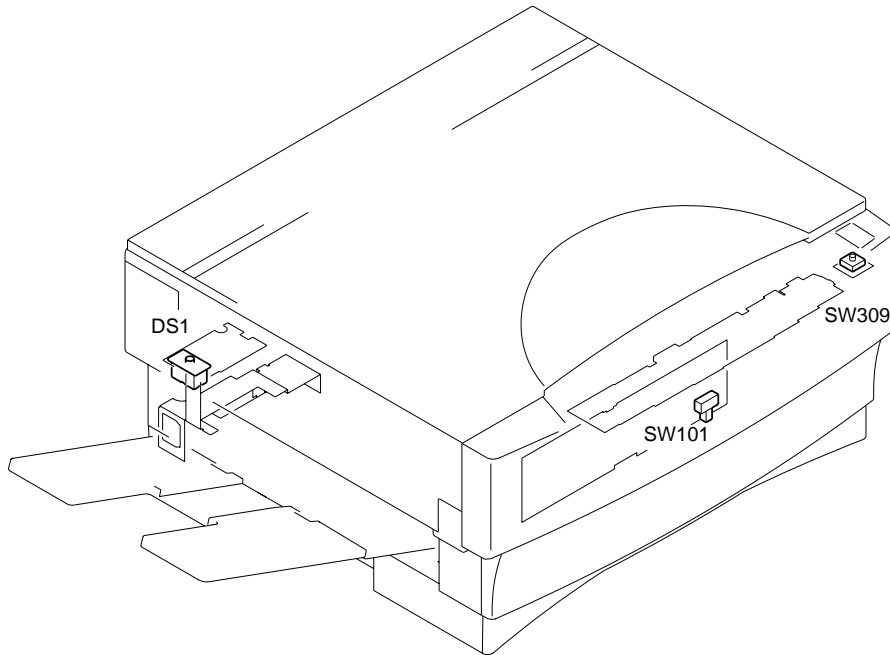


Figure 11-602

| Symbol | Name | Notation | Description | Remarks |
|--------|--------|--------------|-----------------------------|---------|
| | Switch | DS1 SW309 | Door switch Power switch | |
| | Switch | SW101 | Density correction switch | |

C. Lamp, Heater, Motor, Etc.

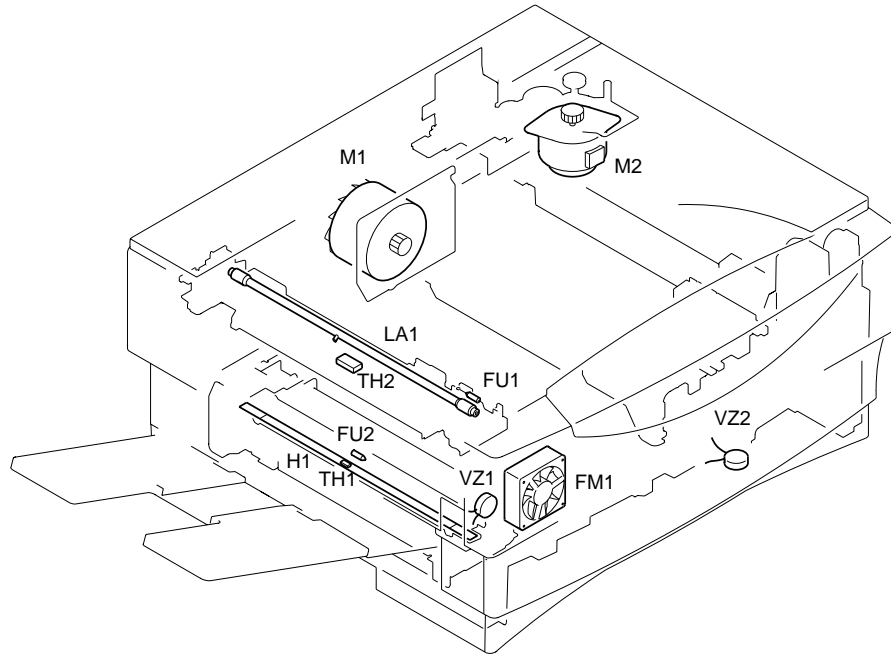


Figure 11-603

| Symbol | Name | Notation | Description | Remarks |
|--------|--------------|------------|--|---------|
| | Lamp | LA1 | Scanning lamp | |
| | Heater | H1 | Fixing heater | |
| | Motor | M1 M2 | Main motor Scanner/lens drive motor | |
| | Fan motor | FM1 | Scanner cooling fan | |
| | Thermistor | TH1 TH2 | Fixing heater temperature detection Scanner temperature detection | |
| | Thermal fuse | FU1 FU2 | Lamp overheating detection Fixing heater overheating detection | |
| | Varistor | VZ1 VZ2 | Fixing film varistor Transfer guide varistor | |

D. PCBs

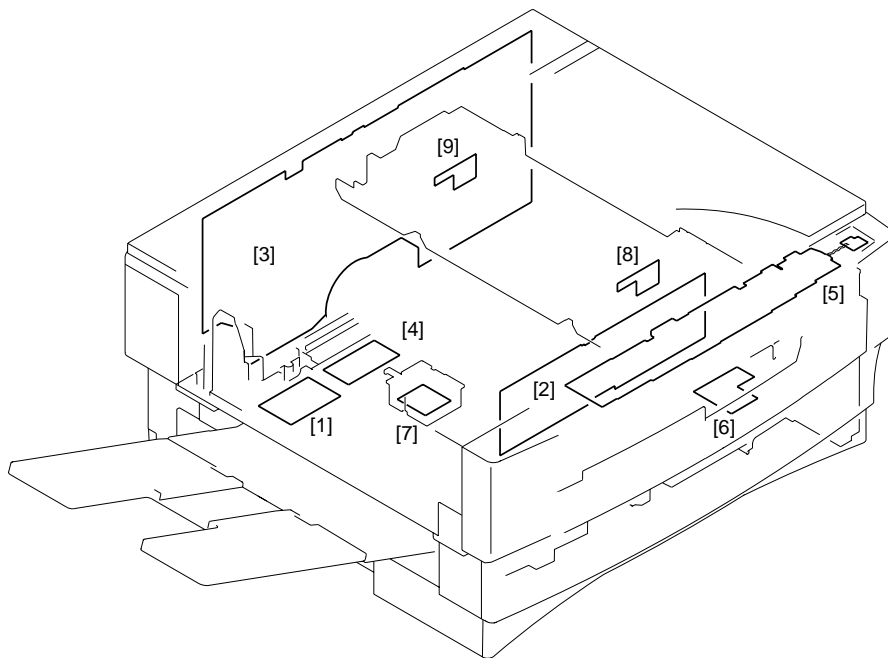


Figure 11-604

| Ref. | Name | Description |
|------|----------------------------|--|
| [1] | Noise filter PCB | Removes noise from the power supply. |
| [2] | DC controller PCB | Controls sequence of operations. |
| [3] | Composite power supply PCB | Supplies DC power, generates high voltage, and controls the scanning lamp. |
| [4] | High-voltage contact PCB | Makes an electrical connection between the machine top and bottom. |
| [5] | Control panel PCB | Provides copying insurrections/indications. |
| [6] | Sensor PCB | Detects paper in front of the registration roller. |
| [7] | AE sensor PCB | Detects the density of originals. |
| [8] | Blanking PCB (front) | Used for blanking exposure. |
| [9] | Blanking PCB (rear) | Used for blanking exposure. |

E. ADF

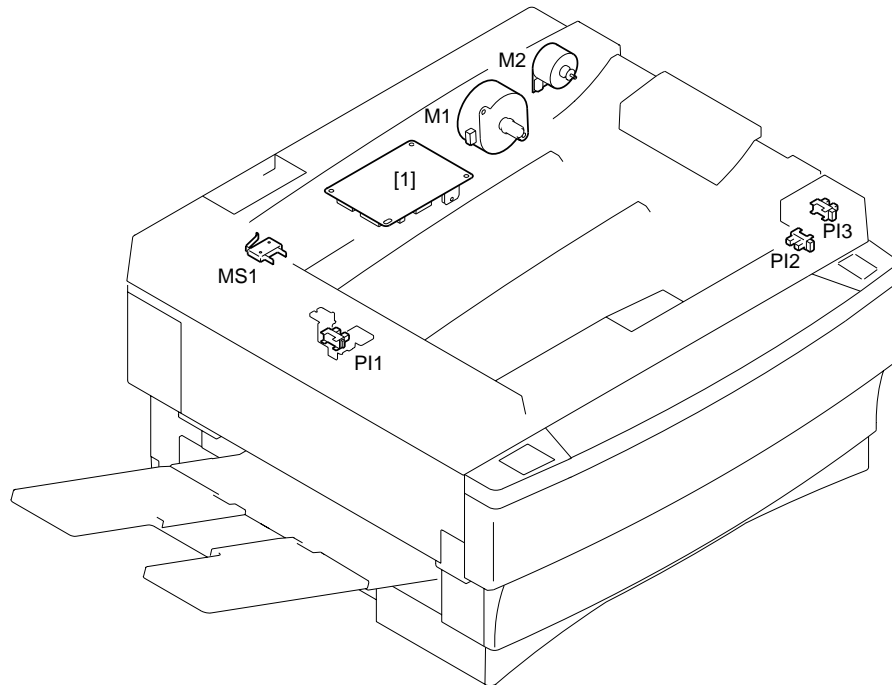
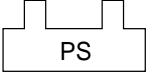
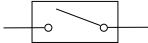
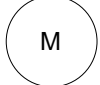




Figure 11-605

| Symbol | Name | Notation | Description | Remarks |
|---|--------------------|-------------------|---|---------|
|  | Photointerrupter | PI1 PI2 PI3 | Delivery paper detection Registration roller paper detection Original placement detection | |
|  | Microswitch | MS1 | ADF open/close switch | |
|  | Motor | M1 M2 | Belt motor Pickup motor | |
| [1] | ADF controller PCB | | Controls sequence of operations | |

F. Variable Resistors (VR) and Check Pins by PCB

Of the variable resistors (VR) and check pins, those needed in the field are discussed herein. Those not found in the discussions are for the factory only, requiring special tools and adjustment to an extremely accuracy. Do not touch them in the field.

Caution:

- VRs that may be used in the field 
- VRs that must not be used in the field 

1. DC Controller PCB

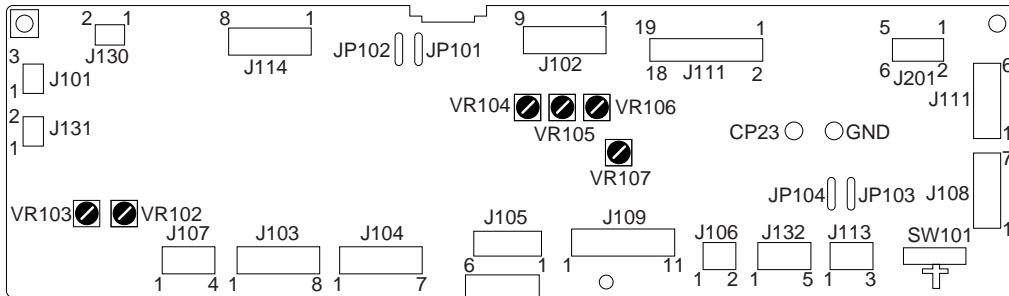


Figure 11-606

2. Composite Power Supply PCB

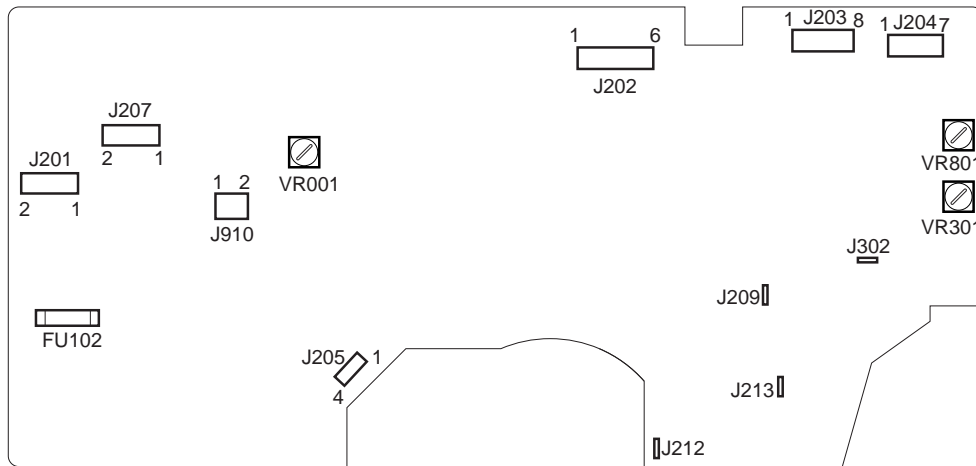


Figure 11-607

3. ADF Controller PCB

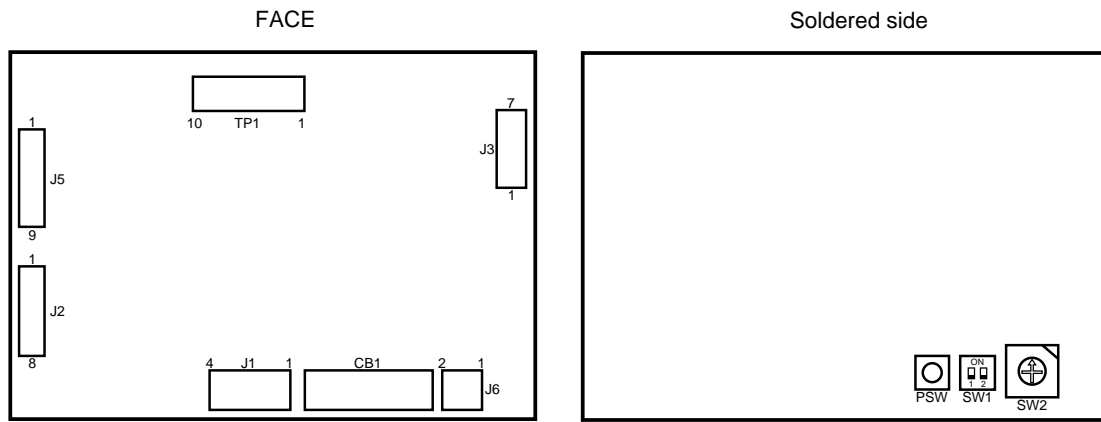


Figure 11-608

VII. SELF DIAGNOSIS

The microprocessor on the machine's DC controller PCB is equipped with a self diagnostic mechanism that checks the condition of the machine (particularly, sensors) and indicates an error code in the count/ratio indicator on the control panel upon detection of a fault.

In the case of 'E001', 'E0' and '01' are flashed alternately.

| Code | Cause | Description |
|-------------|--|--|
| E0 | 'E000', 'E001', 'E002', or 'E003' has occurred. | The power switch is turned off and then on immediately after an error ('E000', 'E001', 'E002', 'E003') has occurred. |
| E000 | <ul style="list-style-type: none"> The thermistor (TH1) is faulty. The fixing heater (H1) is faulty. The thermal fuse (FU2) has blown. The DC controller PCB is faulty. The composite power supply PCB is faulty. | <ul style="list-style-type: none"> The temperature detected by the thermistor (TH1) does not reach 65°C 1.5 sec after the Copy Start key has been pressed. The temperature detected by the thermistor (TH1) does not reach 150°C 4 sec after the Copy Start key has been pressed. |
| E001 | <ul style="list-style-type: none"> The thermistor (TH1) is faulty. The DC controller PCB is faulty. The composite power supply PCB is faulty. | <ul style="list-style-type: none"> The temperature detected by the thermistor (TH1) exceeds 230°C. The temperature detected by the thermistor (TH1) exceeds by 30°C or more. The temperature detected by the thermistor (TH1) registers an increase of 100°C or more within 1 sec. The temperature detected by the thermistor (TH1) registers an increase of 40°C or more after it has reached 100°C during standby. E0 detection signal (E0_DT) is detected twice or more in succession. |
| E002 | <ul style="list-style-type: none"> The thermistor (TH1) is faulty. The fixing heater (H1) is faulty. The thermal fuse (FU2) has blown. The DC controller PCB is faulty. The composite power supply PCB is faulty. | <ul style="list-style-type: none"> The temperature detected by the thermistor (TH1) has exceeded 150°C during copy operation and maximum power is applied for 10 to 14 sec thereafter. |
| E003 | <ul style="list-style-type: none"> The thermistor (TH1) is faulty. The fixing heater (H1) is faulty. The thermal fuse (FU2) has blown. The DC controller PCB is faulty. The composite power supply PCB is faulty. | <ul style="list-style-type: none"> The temperature detected by the thermistor (TH1) drops to and remains 150°C or lower after it has reached 160°C. |

| Code | Cause | Description |
|--|---|---|
| E010 | <ul style="list-style-type: none"> The main motor (M1) is fault. The DC controller PCB is faulty. | <ul style="list-style-type: none"> The rotation of the main motor deviates (indicated by MLOCK=0) for 1 sec or more while the main motor drive signal (MMD=1) is being generated. |
| E064 | <ul style="list-style-type: none"> The composite power supply PCB is faulty. The DC controller PCB is faulty. | <ul style="list-style-type: none"> The actual output value of the composite power supply high voltage is different from the setting value twice in succession. |
| (E202) The keys on the control panel are locked without error code indication. | <ul style="list-style-type: none"> The scanner home position sensor (PS1) is faulty. The scanner/lens drive motor (M2) is faulty. The DC controller PCB is faulty. | <ul style="list-style-type: none"> The scanner home position is not detected within 10 sec after the scanner has turned on. The scanner does not leave the home position after it has turned on. |
| E210 | <ul style="list-style-type: none"> The lens home position sensor (PS2) is faulty. The scanner/lens drive motor (M2) is faulty. The lens cable is faulty. The DC controller PCB is faulty. | <ul style="list-style-type: none"> The lens hoe position is not detected after the lens has moved the maximum travel distance. The lens does not leave the home position after it has turned on. |
| E220 | <ul style="list-style-type: none"> The scanning lamp (LA1) is faulty. The DC controller PCB is faulty. The composite power supply PCB is faulty. | <ul style="list-style-type: none"> The lamp ON detection signal is not detected for 1 sec or more in the presence of the scanning lamp On signal. The lamp ON detection signal is detected for 1 sec or more in the absence of the scanning lamp ON signal. |
| E240 | <ul style="list-style-type: none"> The DC controller PCB is faulty. The composite power supply PCB is faulty. | <ul style="list-style-type: none"> A fault in the communication between DC controller PCB and composite power supply PCB is detected. |
| E261 | <ul style="list-style-type: none"> The frequency of the power supply is faulty. The composite power supply PCB is faulty. | <ul style="list-style-type: none"> The interval between zero-cross signals is in excess of the allowed interval. |
| E400 | <ul style="list-style-type: none"> Data communication between the copier and the ADF (faulty). | <ul style="list-style-type: none"> The communication with the copier is interrupted for 5 sec or more; the communication is monitored at all times. |
| E803 | <ul style="list-style-type: none"> The DC controller PCB is faulty. The composite power supply PCB is faulty. | <ul style="list-style-type: none"> During a copying run, the +24 V power deviates from the control value by $\pm 20\%$. |

Caution:

1. If the self-diagnosis has turned on, turn off the power switch to reset the machine.
In the case of 'E000', 'E001', 'E002', or 'E003', however, the machine must be reset as follows: this consideration is to prevent feeding power to the fixing heater otherwise occurring if the thermistor has an open circuit:
2. In the case of 'E0', 'E000', 'E001', 'E002', 'E003', or 'E220', the machine will turn off in 1.5 sec for 'E0' and 'E000' through 'E003' and in 2 sec for 'E220'.
3. In the case of 'E0', 'E000', 'E001', 'E002', or 'E003', perform the following steps:
 - 1) Turn off the power switch, and short circuit JP101 and JP102 on the DC controller PCB with a screwdriver or the like.

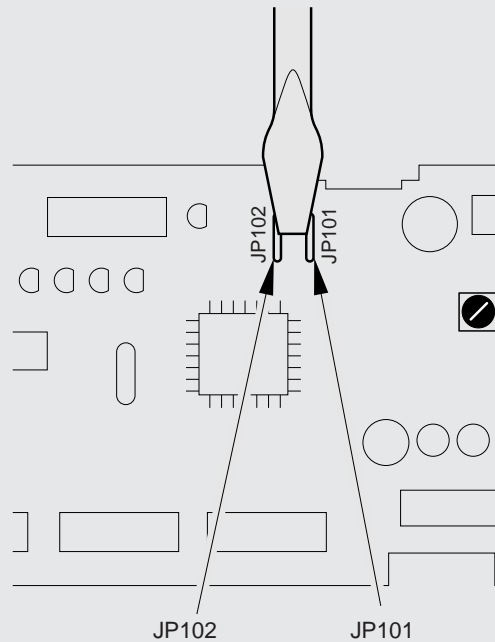


Figure 11-701

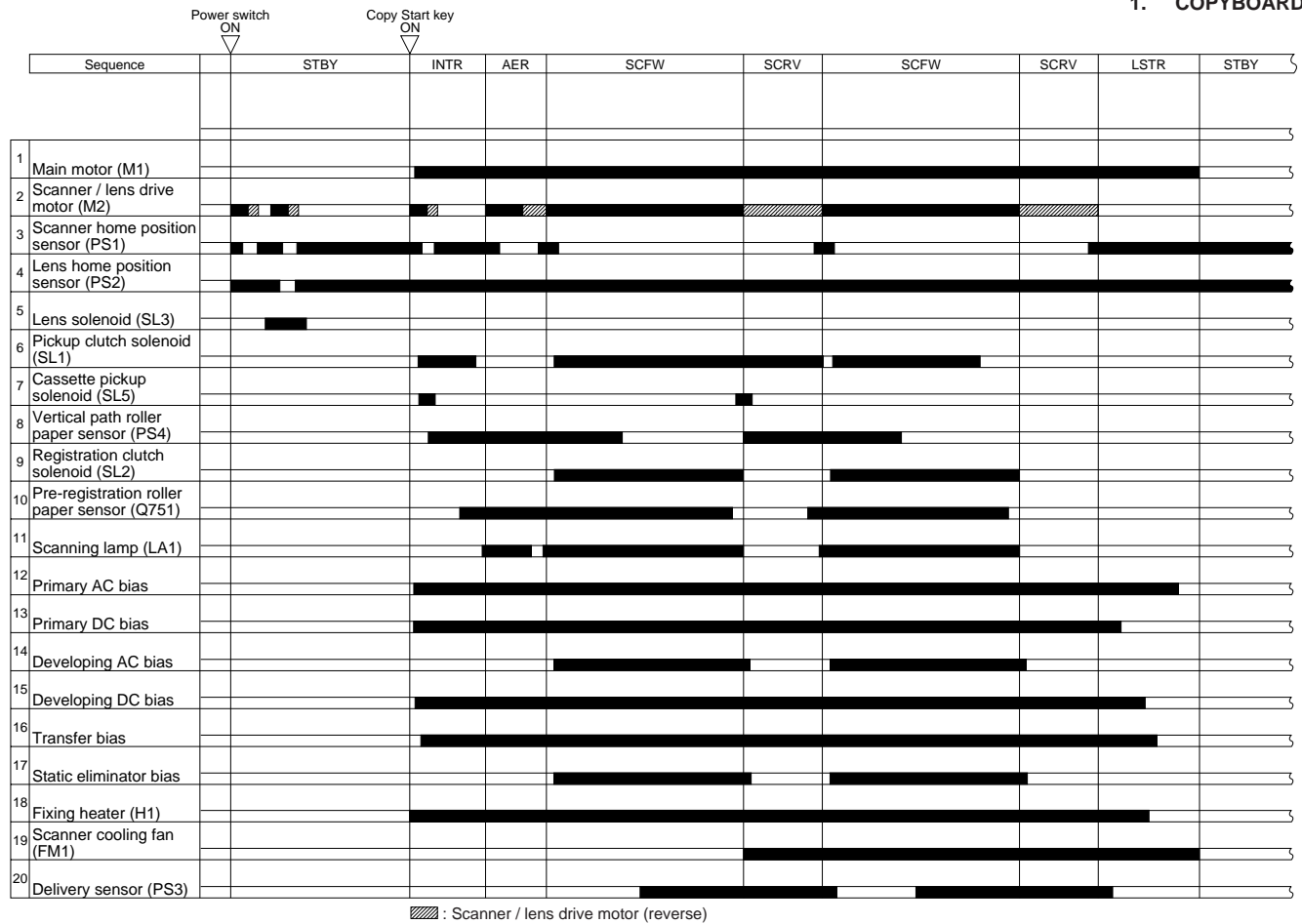
- 2) While keeping the condition in step 1), turn on the power switch.
- 3) Stop short-circuiting JP101 and JP102.

APPENDIX

| | | | |
|---|------|---------------------------|------|
| A. GENERAL TIMING CHART | A-1 | I. SENSOR CIRCUIT | |
| B. SIGNALS AND ABBREVIATIONS | A-3 | DIAGRAM | A-30 |
| C. GENERAL CIRCUIT DIAGRAM | A-5 | J. NOISE FILTER CIRCUIT | |
| D. DC CONTROLLER CIRCUIT DIAGRAM | A-7 | DIAGRAM | A-31 |
| E. ADF CONTROLLER CIRCUIT DIAGRAM | A-15 | K. HIGH VOLTAGE CONTACT | |
| F. COMPOSITE POWER SUPPLY | | CIRCUIT DIAGRAM | A-32 |
| CIRCUIT DIAGRAM | A-19 | L. BLANK EXPOSURE (front) | |
| G. CONTROL PANEL CIRCUIT | | CIRCUIT DIAGRAM | A-33 |
| DIAGRAM | A-27 | M. BLANK EXPOSURE (rear) | |
| H. AE SENSOR CIRCUIT | | CIRCUIT DIAGRAM | A-34 |
| DIAGRAM | A-29 | N. SPECIAL TOOLS | A-35 |
| | | O. SOLVENTS/OILS | A-36 |

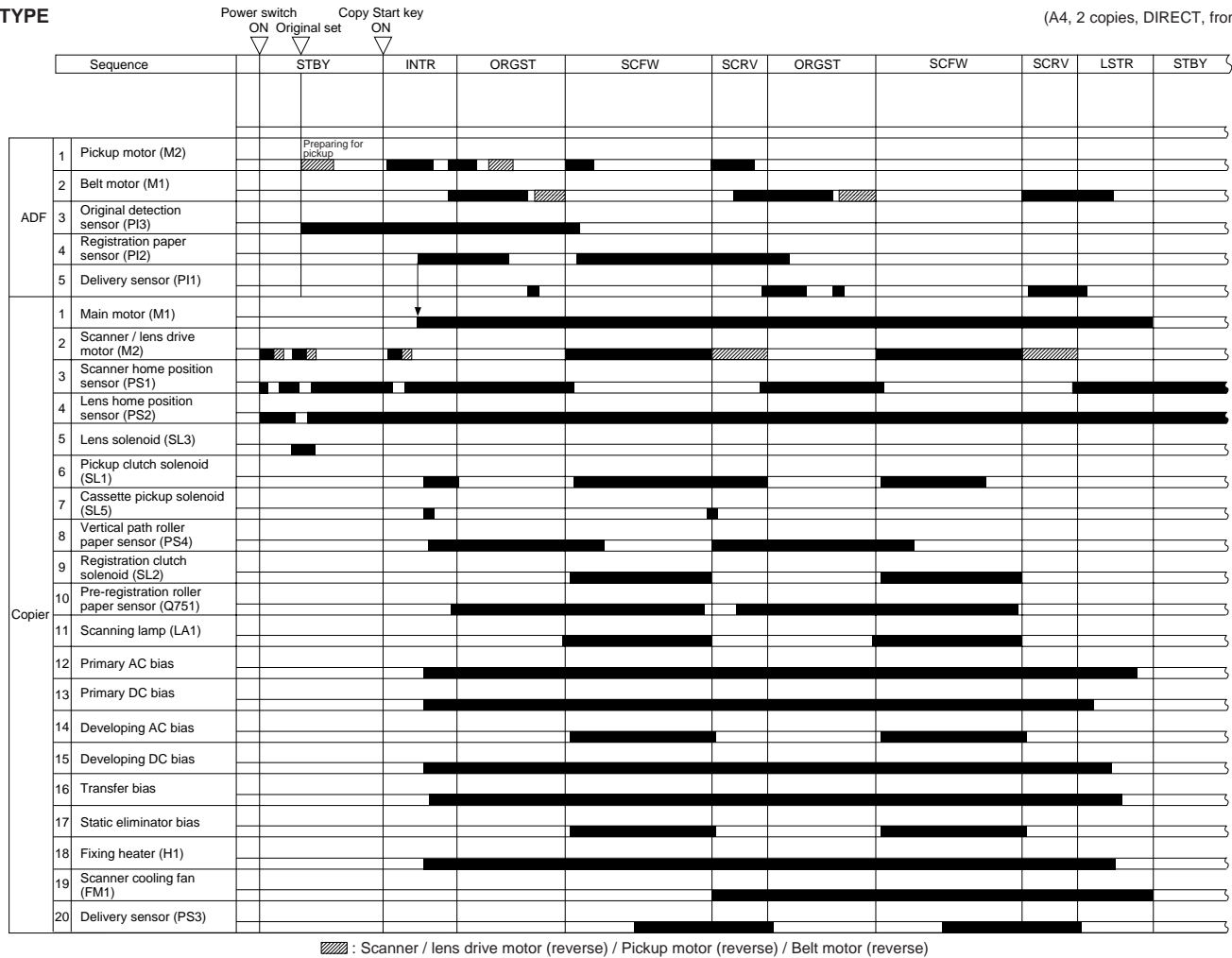
(A4, 2 copies, DIRECT, from cassette)

A. GENERAL TIMING CHART
1. COPYBOARD TYPE



2. ADF TYPE

(A4, 2 copies, DIRECT, from cassette)



B. SIGNALS AND ABBREVIATIONS

What follows below is a list of signals and abbreviations used in the chapters of the manual and circuit diagrams. The abbreviations within parentheses represent analog signals, which cannot be expressed in terms of '1' or '0'.

1. Signals

| | |
|-------------|--|
| ACBIAS | AC BIAS OSCILLATION signal |
| [AE] | AE SENSOR OUTPUT signal |
| AEREF | AE SENSOR REFERENCE signal |
| BIAS_PWM | DC BIAS CONTROL signal |
| BIAS_S | DC BIAS MONITOR signal |
| CLK32K | TRANSFORMER CONTROL signal |
| CPUSD | CASSETTE PICKUP SOLENOID DRIVE signal |
| DPD | DELIVERY PAPER DETECTION signal |
| DV_AC_ON | DEVELOPING AC BIAS ON signal |
| DV_DC_ON | DEVELOPING DC BIAS ON signal |
| E0_DT | E0 DETECTION signal |
| FM1D | SCANNER COOLING FAN DRIVE signal |
| HEAT_ERR | FIXING HEATER ERROR signal |
| HEAT_OFF | FIXING HEATER OFF signal |
| HEAT_PWM | FIXING HEATER DUTY signal |
| HEAT_TRG | FIXING HEATER DRIVE signal |
| LAMP_DETECT | LAMP ACTIVATION DETECTION signal |
| LAMP_ON | SCANNING LAMP ACTIVATION signal |
| LHP | LENS HOME POSITION signal |
| LNSLD | LENS SOLENOID DRIVE signal |
| MFSLD | MULTIFEEDER PICKUP SOLENOID DRIVE signal |
| MLOCK | MAIN MOTOR CONSTANT SPEED signal |
| MMCLK | MAIN MOTOR CLOCK PULSE signal |
| MMD | MAIN MOTOR DRIVE signal |
| PAC_OUT | PRIMARY CORONA AC BIAS signal |
| PAC_S | PRIMARY CORONA AC DETECTION signal |
| PDC_PWM | DC BIAS CONTROL signal |
| PDC_S | DC VOLTAGE MONITOR signal |
| PDP | VERTICAL PATH ROLLER PAPER DETECTION signal |
| PR_DC_ON | PRIMARY CHARGING DC BIAS ON signal |
| PUSLD | PICKUP CLUTCH SOLENOID DRIVE signal |
| PWM_1KHz | SCANNING LAMP INTENSITY ADJUSTMENT signal |
| PWOFF | POWER SWITCH OFF signal |
| RGLSD | REGISTRATION CLUTCH SOLENOID DRIVE signal |
| RLOFF | RELAY DRIVE signal |
| RPD | PRE-REGISTRATION ROLLER PAPER DETECTION signal |
| SB_LP | SIDE BLANK EXPOSURE LAMP ON signal |
| SC_A | SCANNER MOTOR PULSE signal A |
| SC_B | SCANNER MOTOR PULSE signal B |
| SC_COM | SCANNER MOTOR DRIVE signal |
| SCHP | SCANNER HOME POSITION signal |
| SFPD | SINGLE-FEEDER PAPER DETECTION signal |
| T_FEEDBACK | TRANSFER BIAS VOLTAGE DETECTION signal |
| T_FW_DRV | TRANSFER DC BIAS CONTROL signal |

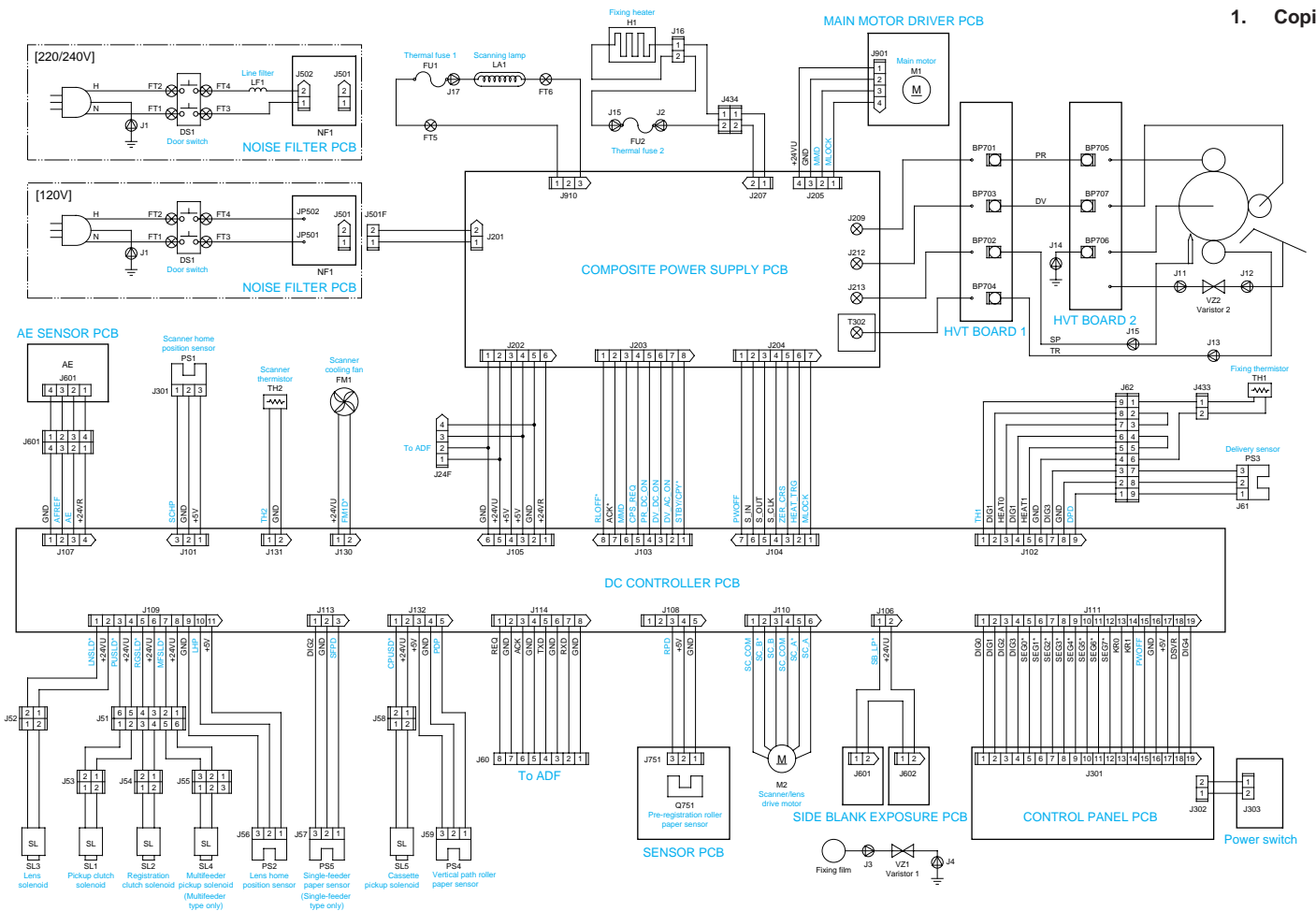
| | |
|----------|-------------------------------------|
| T_FW_ON | TRANSFER DC BIAS ON signal |
| T_FW_S | TRANSFER CURRENT DETECTION signal |
| T_REV_ON | TRANSFER POSITIVE DC BIAS ON signal |
| TH1 | FIXING THERMISTOR signal |
| TH2 | SCANNER THERMISTOR signal |

2. Abbreviations

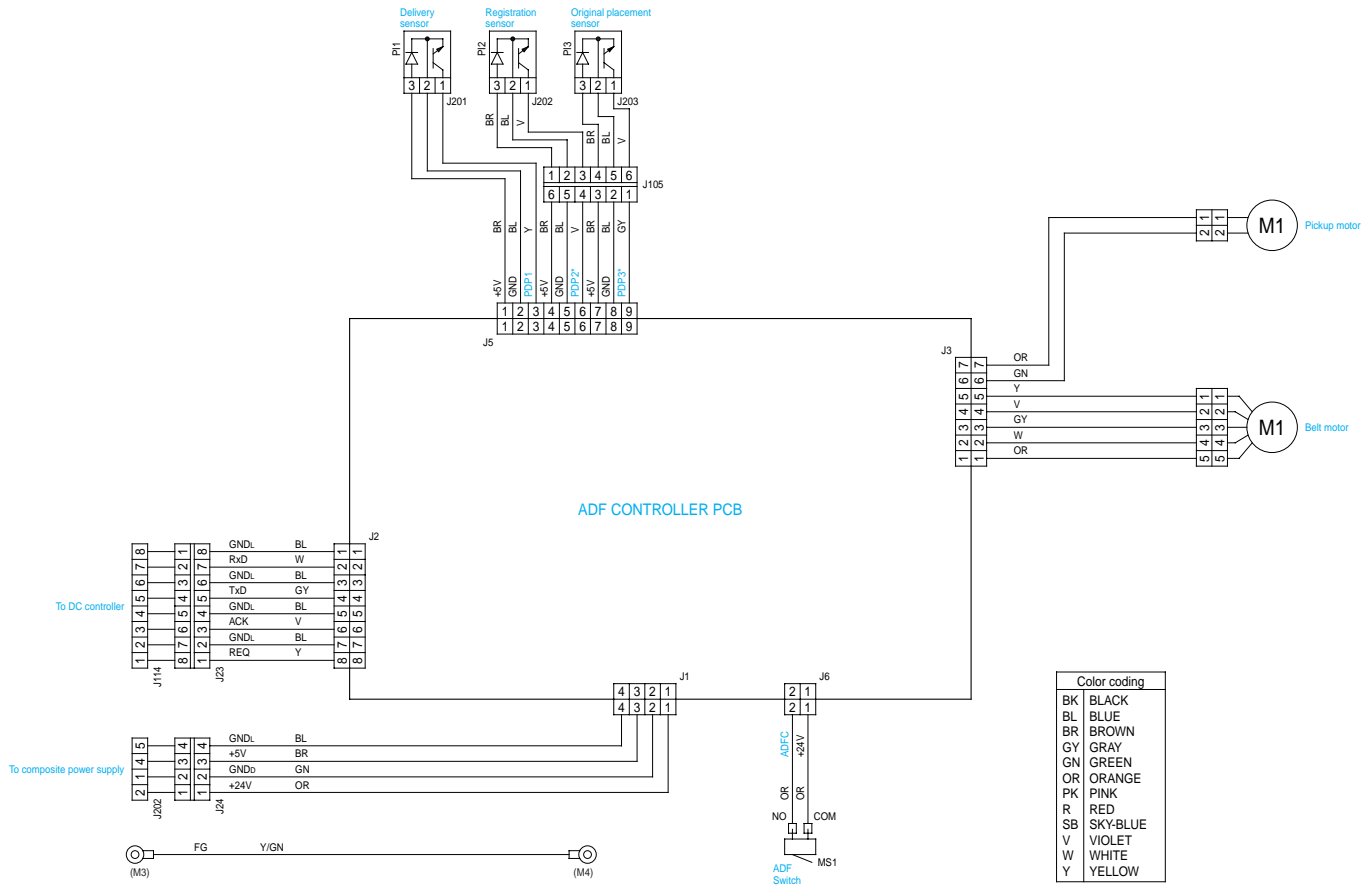
| | |
|------|---------------------------|
| AER | AE (MEASUREMENT) ROTATION |
| INTR | INITIAL ROTATION |
| LSTR | LAST ROTATION |
| SCFW | SCANNER FORWARD |
| SCRV | SCANNER REVERSE |
| STBY | STANDBY |

C. GENERAL CIRCUIT DIAGRAM

1. Copier

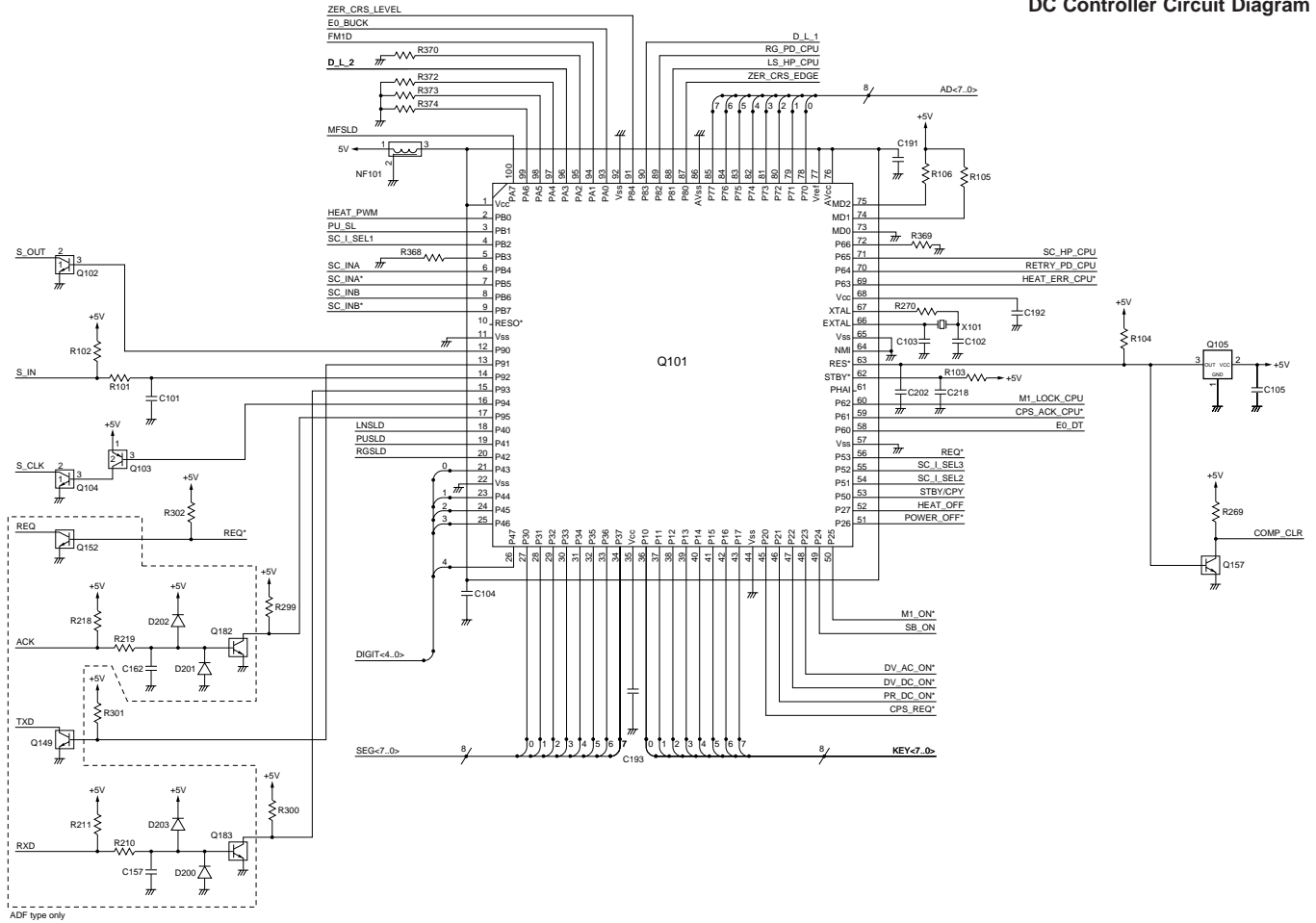


2. ADF

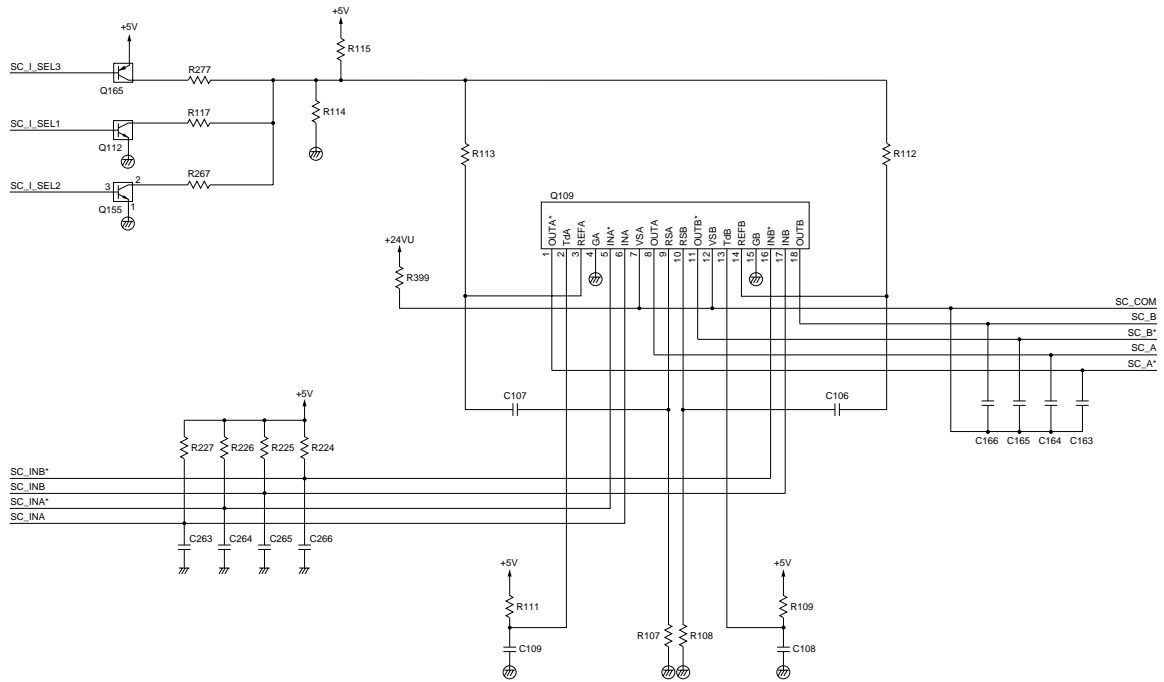


D. DC CONTROLLER CIRCUIT DIAGRAM

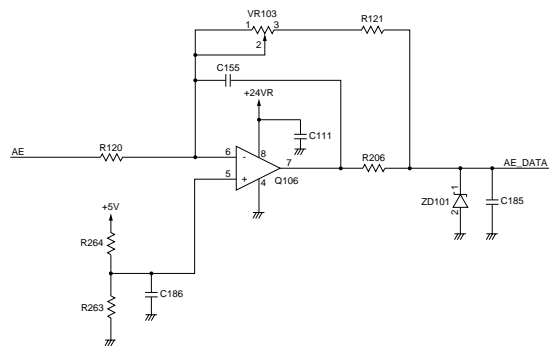
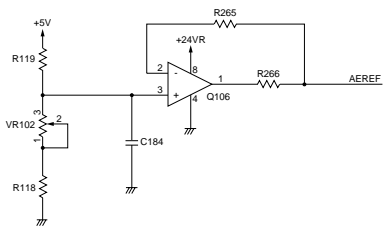
DC Controller Circuit Diagram (1/8)



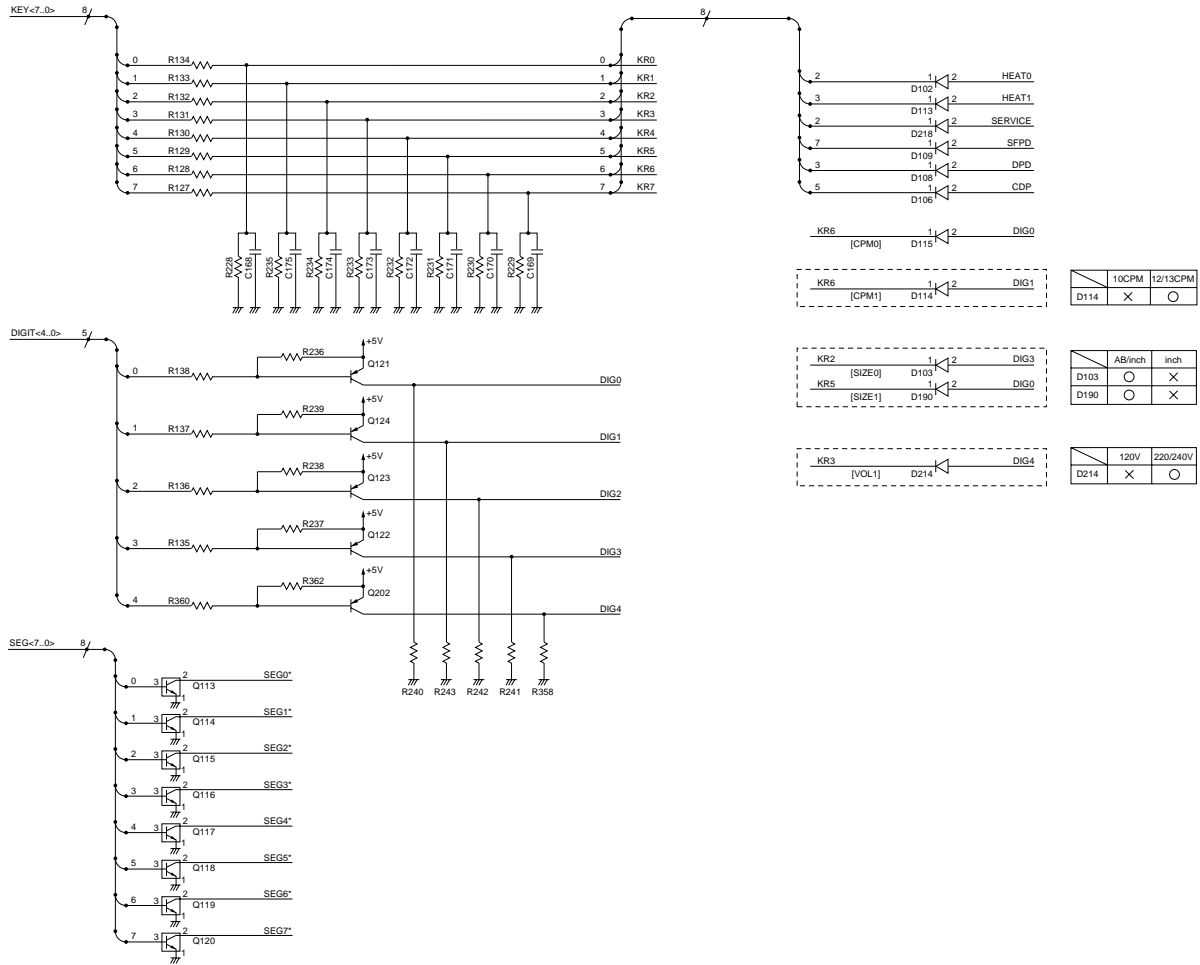
DC Controller Circuit Diagram (2/8)



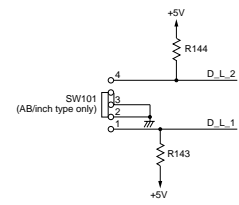
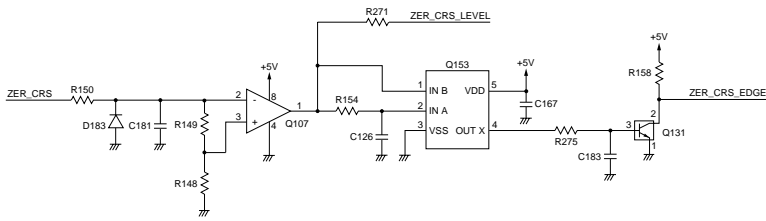
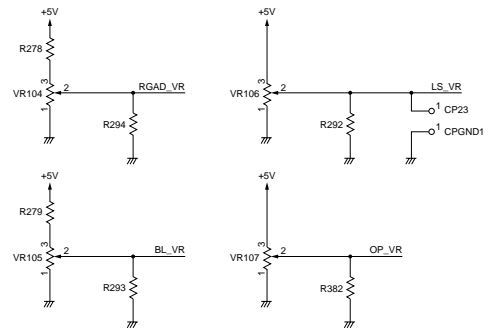
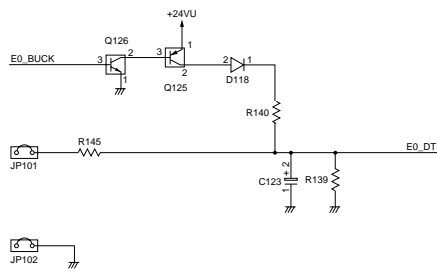
DC Controller Circuit Diagram (3/8)



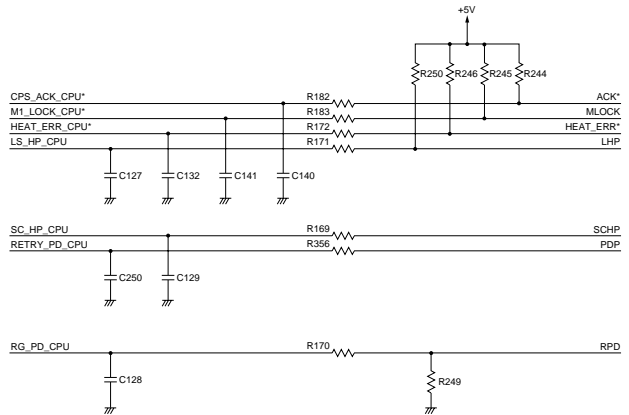
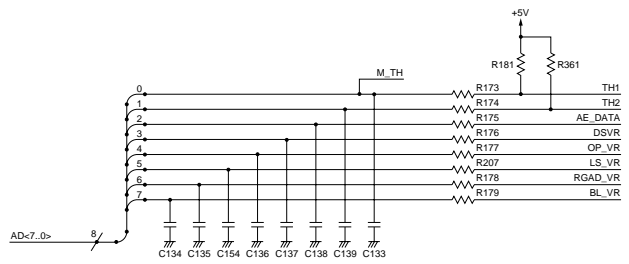
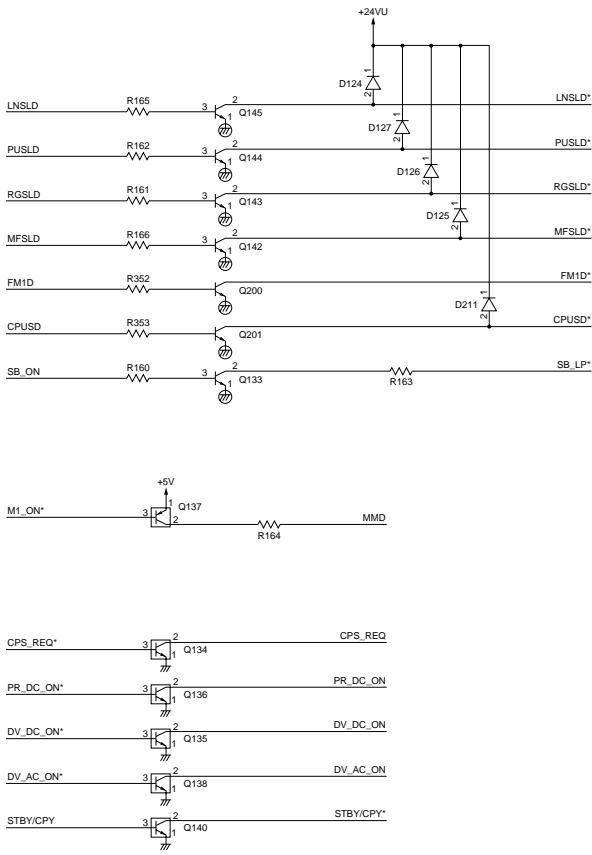
DC Controller Circuit Diagram (4/8)



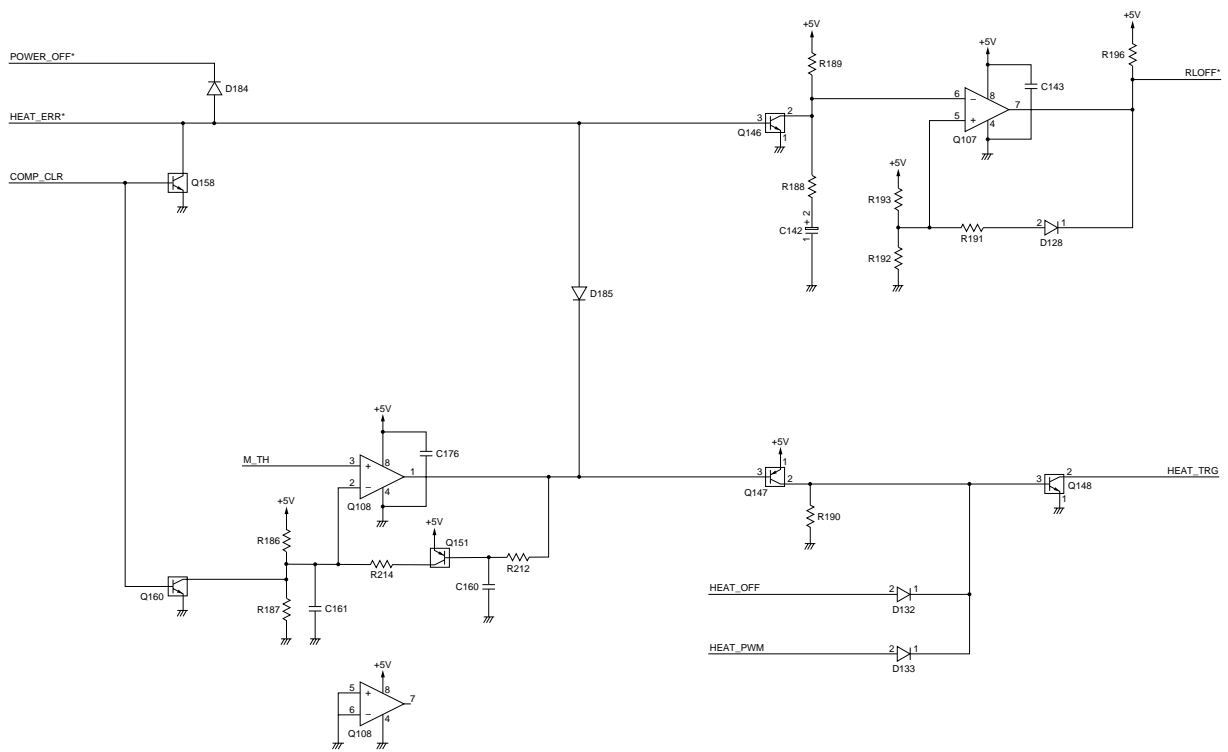
DC Controller Circuit Diagram (5/8)



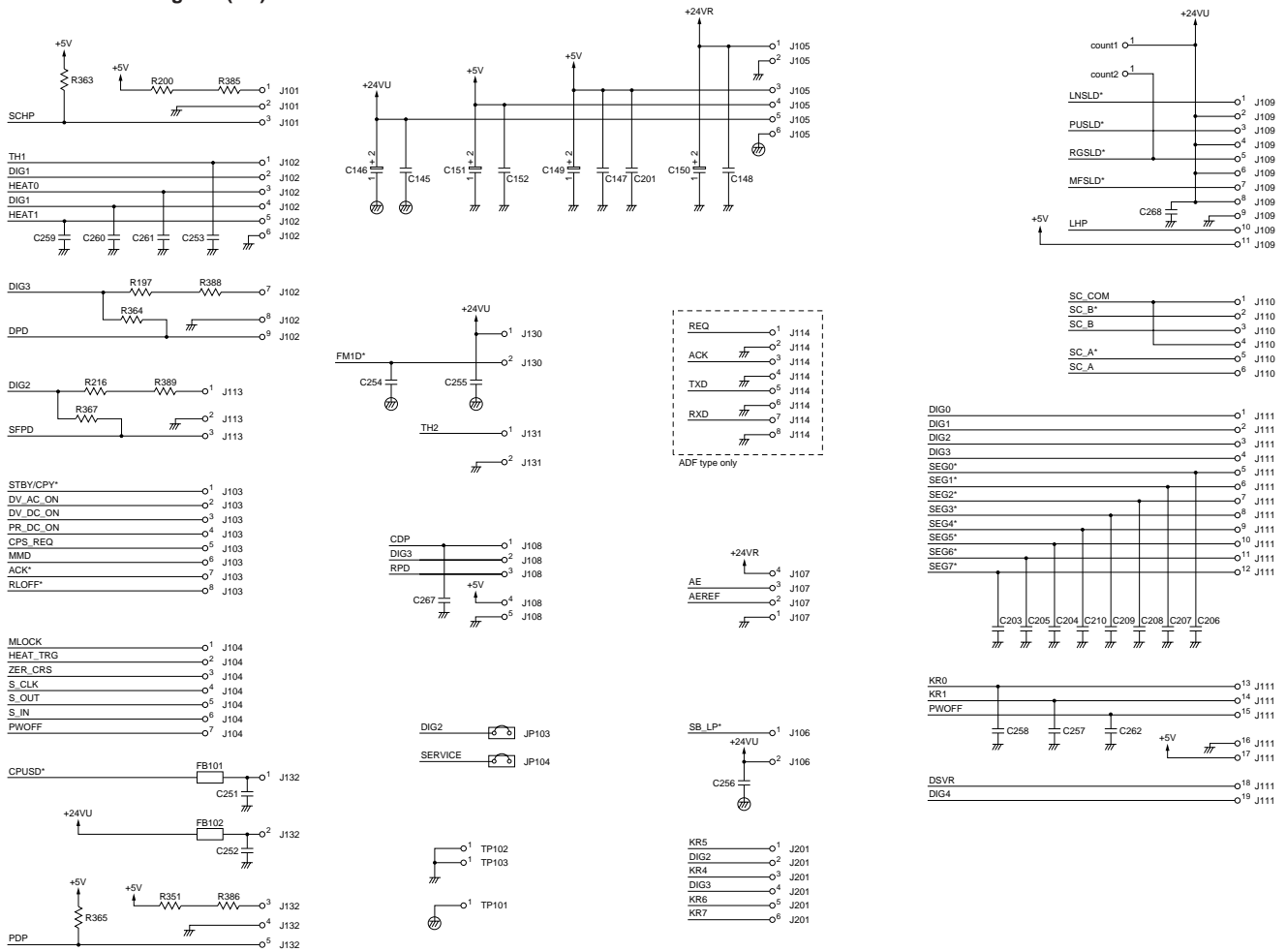
DC Controller Circuit Diagram (6/8)



DC Controller Circuit Diagram (7/8)

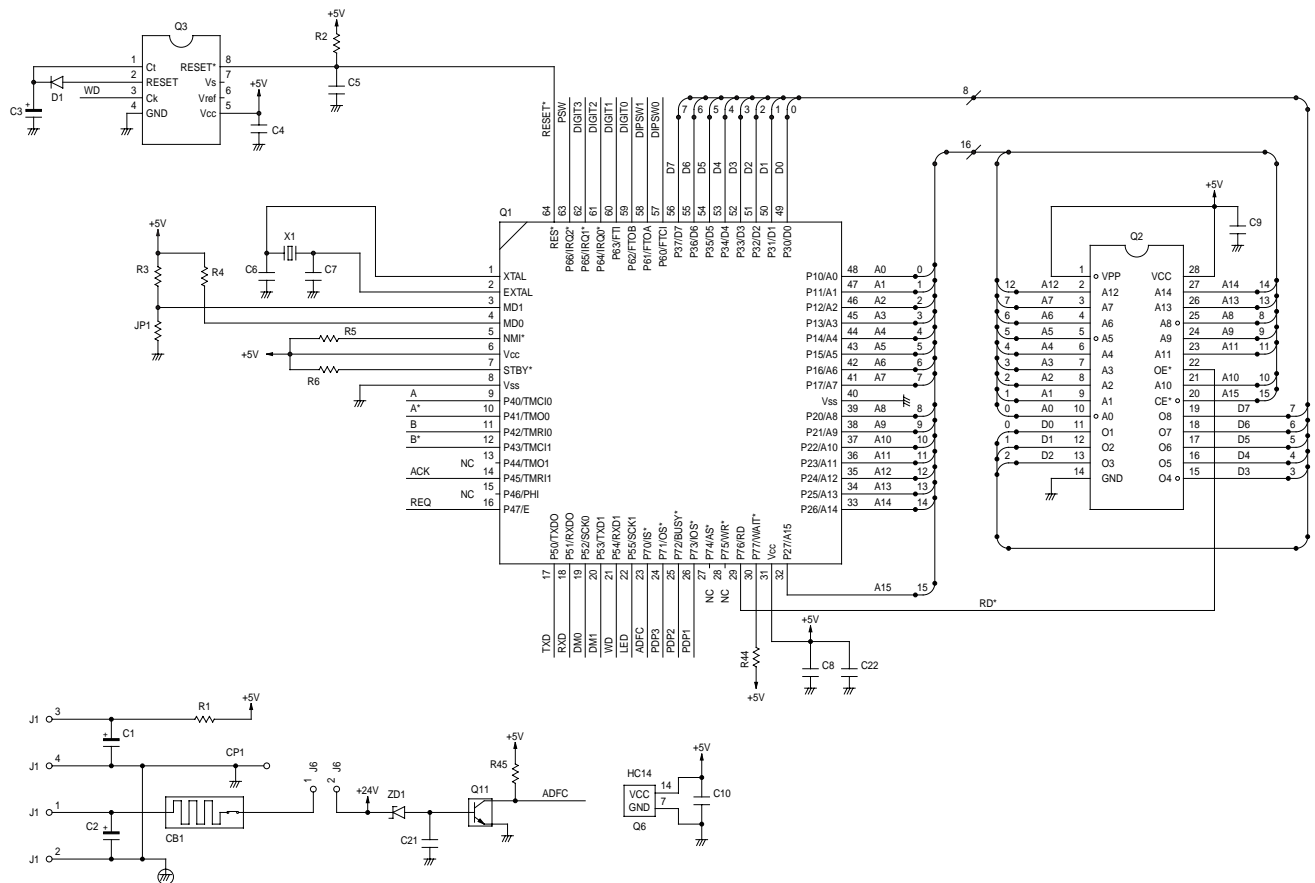


DC Controller Circuit Diagram (8/8)

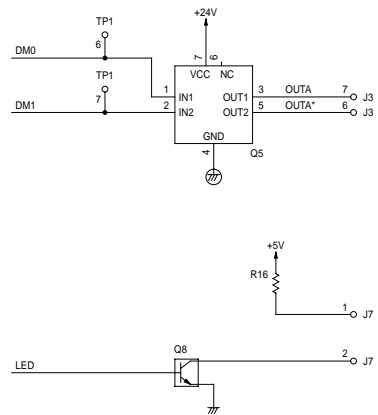
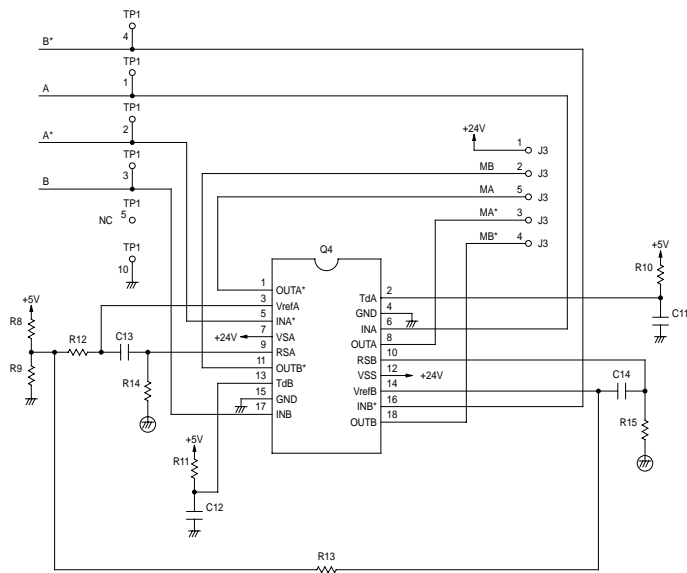


E. ADF CONTROLLER CIRCUIT DIAGRAM

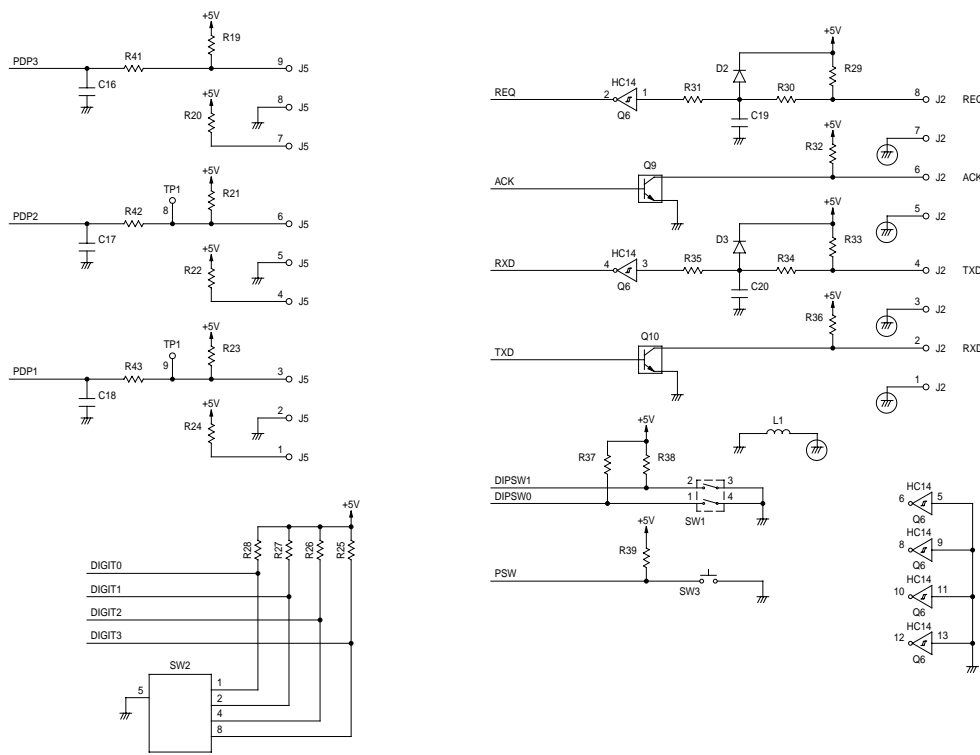
ADF Controller Circuit Diagram (1/3)



ADF Controller Circuit Diagram (2/3)

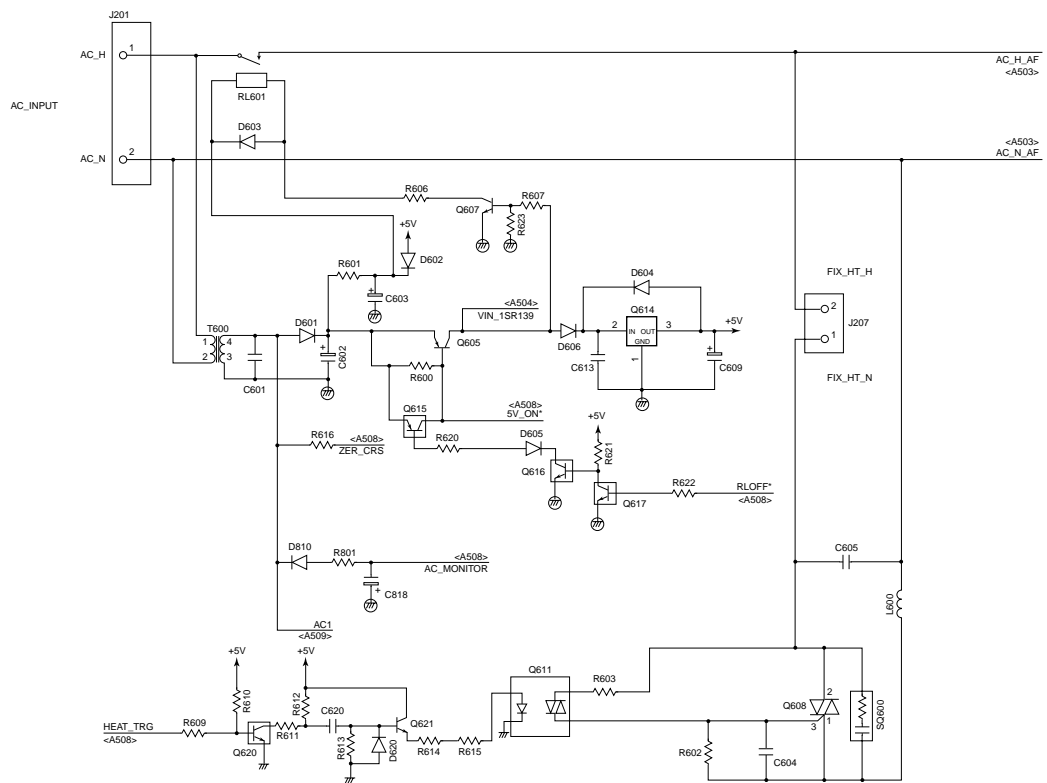


ADF Controller Circuit Diagram (3/3)

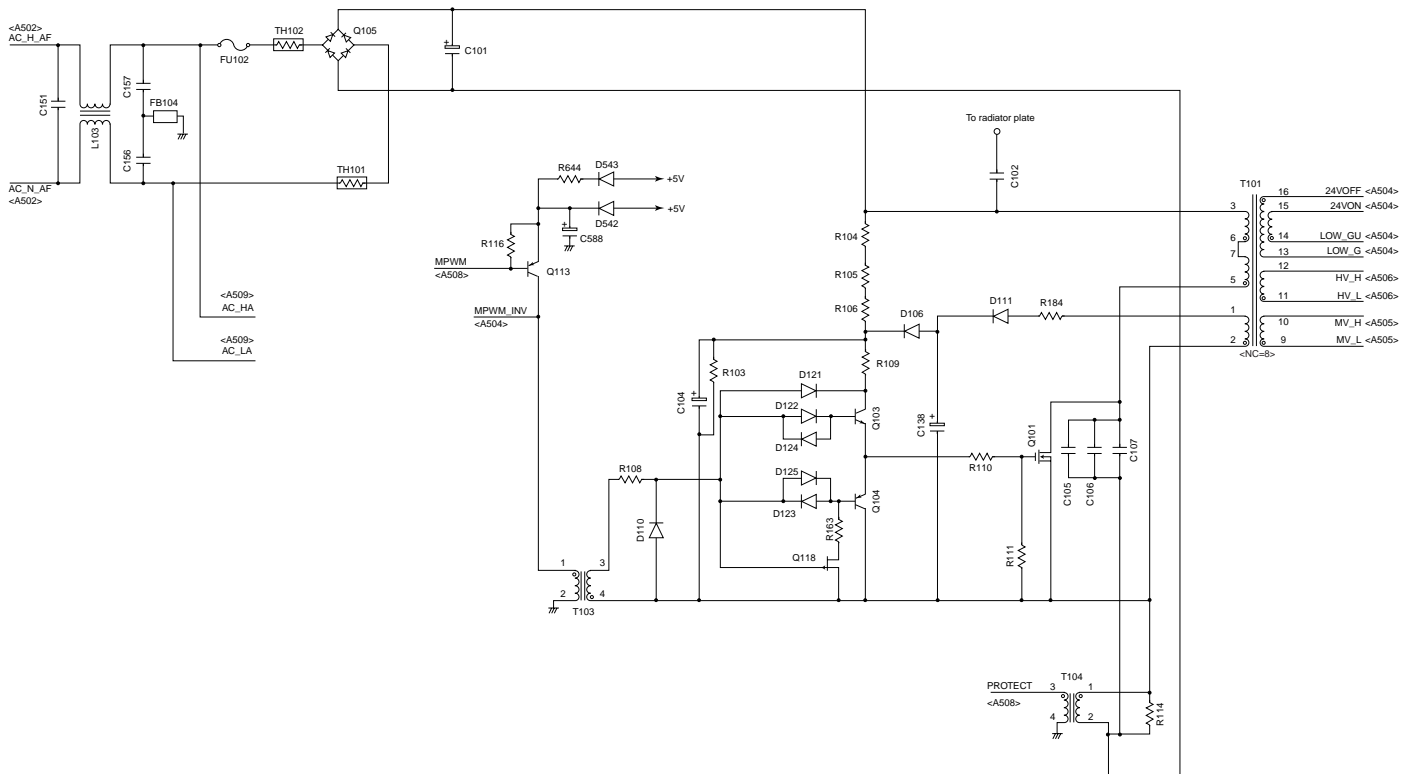


F. COMPOSITE POWER SUPPLY CIRCUIT DIAGRAM

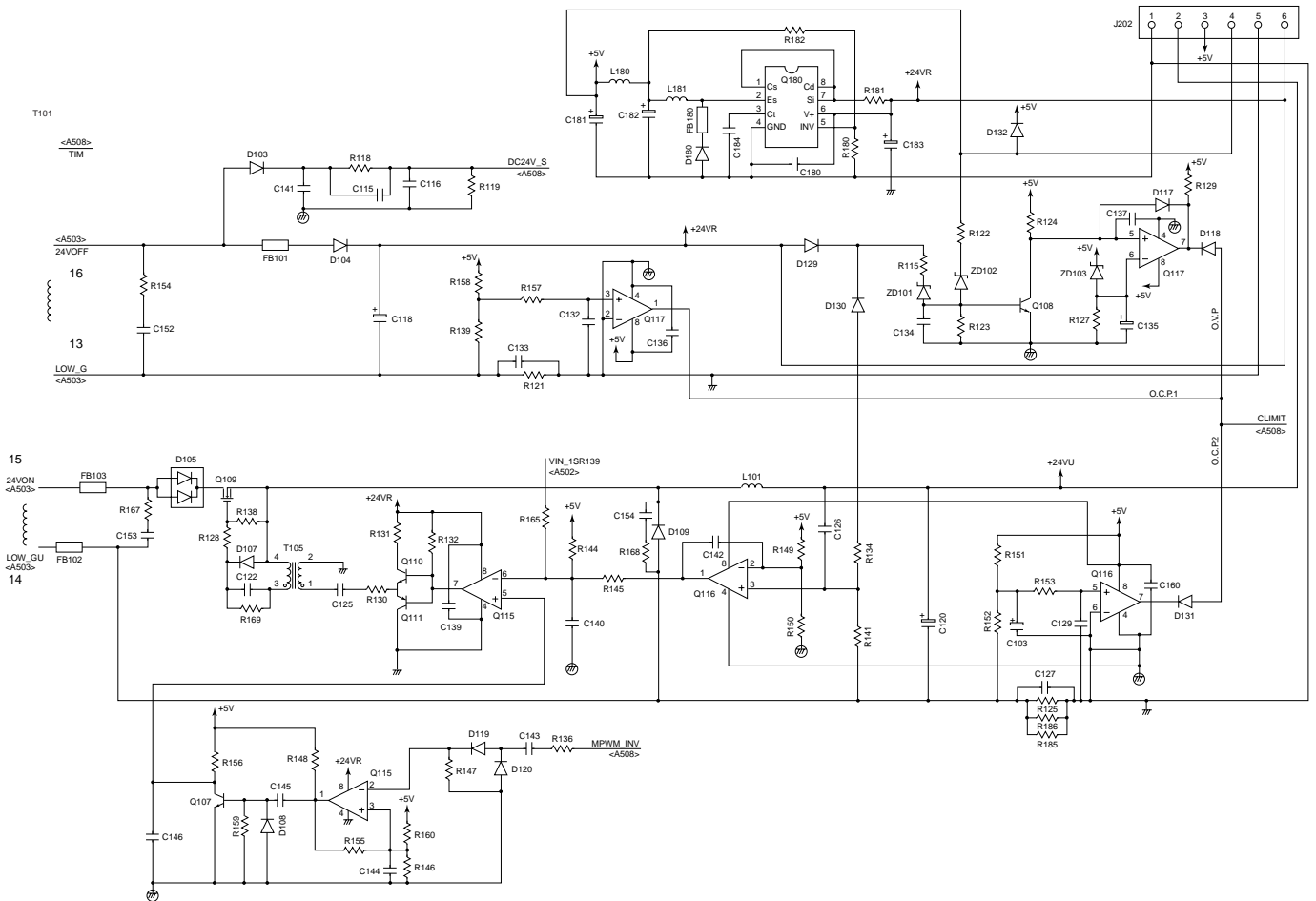
Composite Power Supply Circuit Diagram [A502] (1/8)



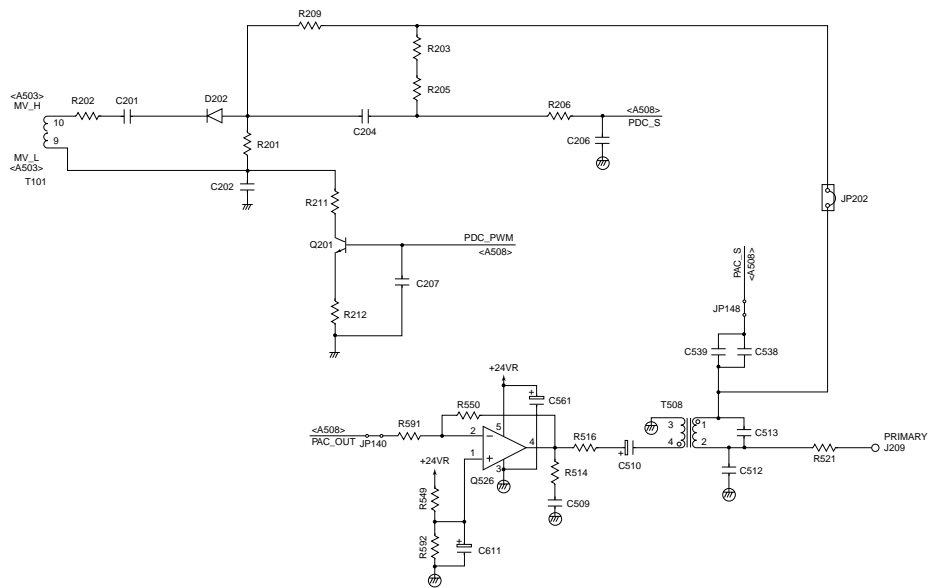
Composite Power Supply Circuit Diagram [A503] (2/8)



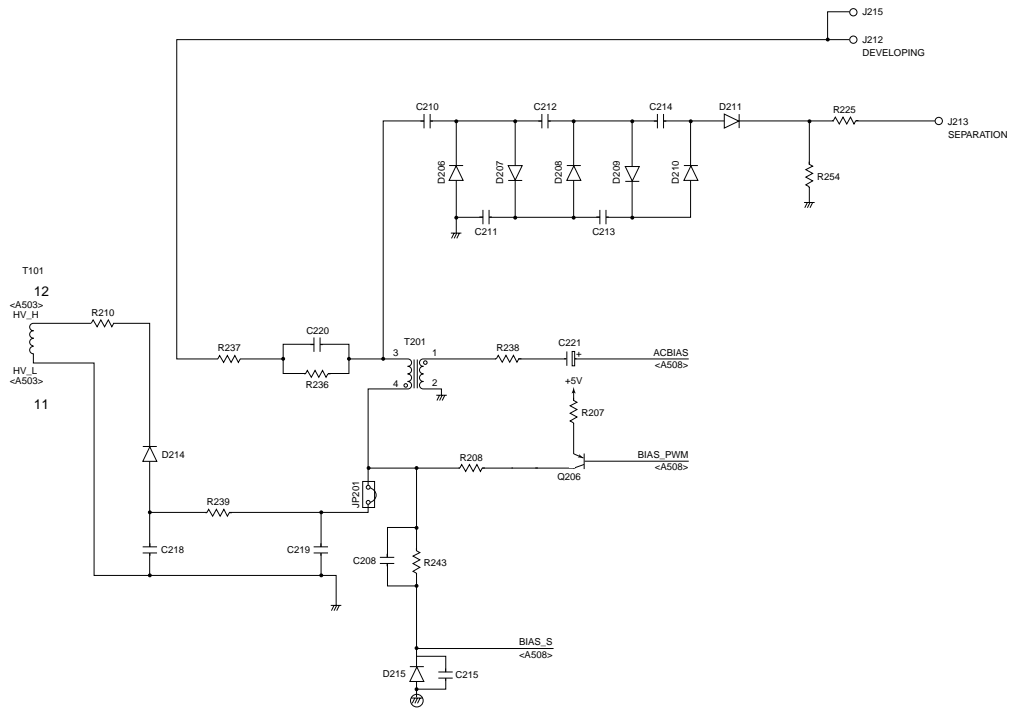
Composite Power Supply Circuit Diagram [A504] (3/8)



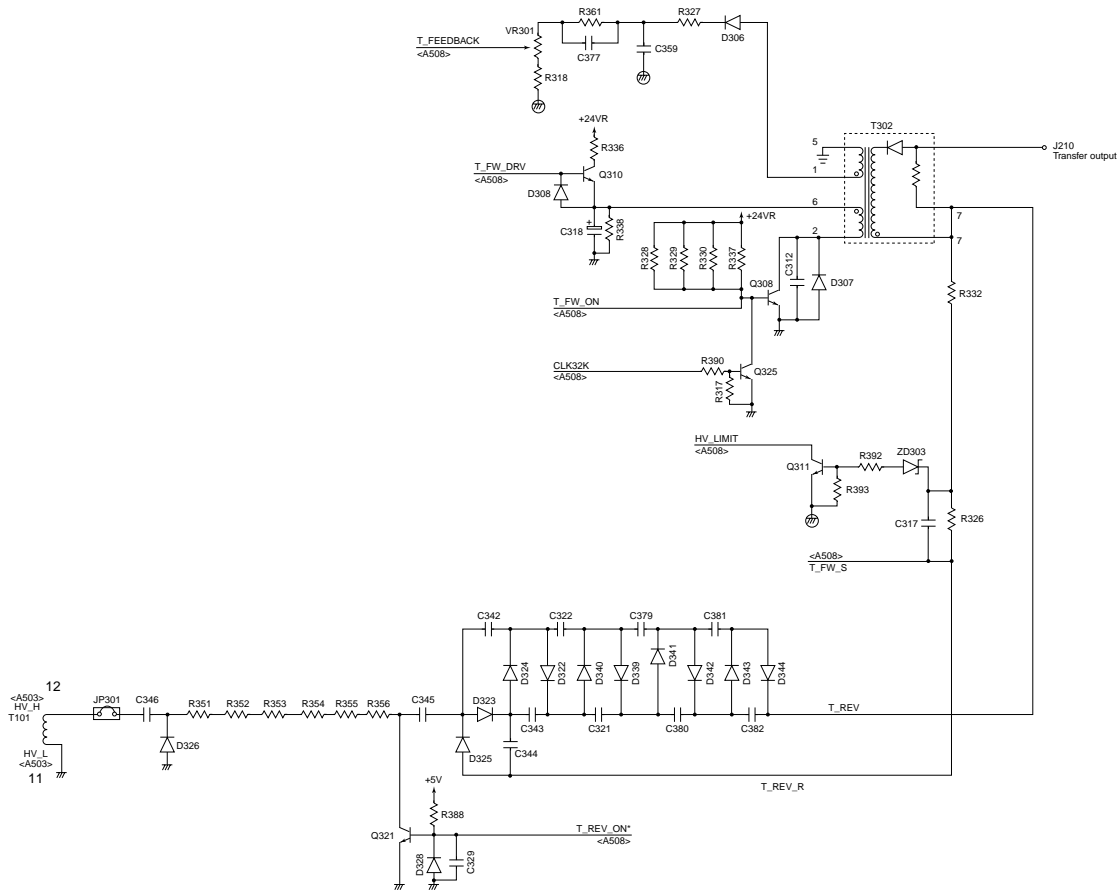
Composite Power Supply Circuit Diagram [A505] (4/8)



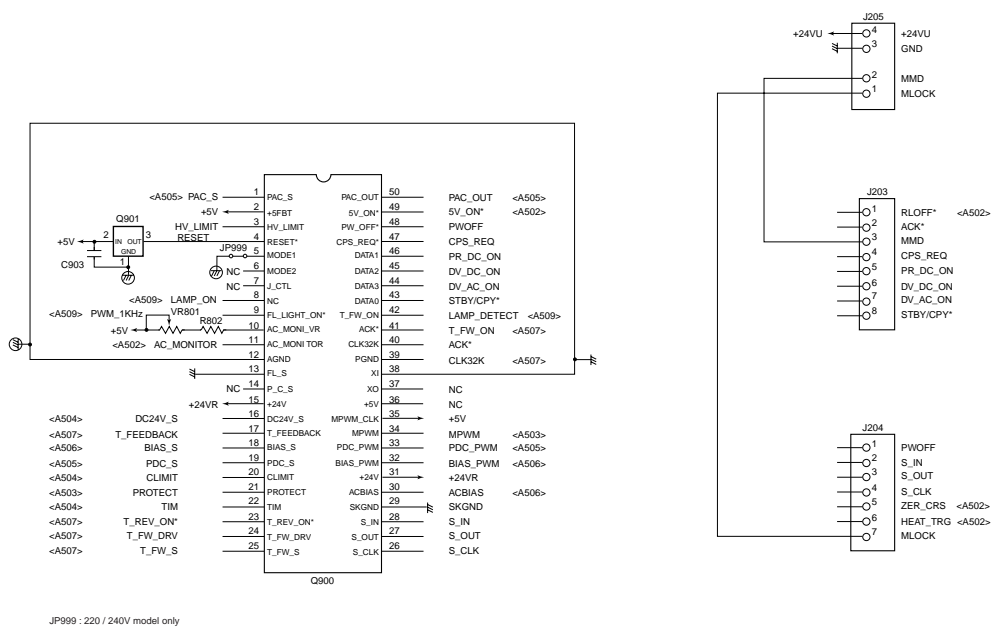
Composite Power Supply Circuit Diagram [A506] (5/8)



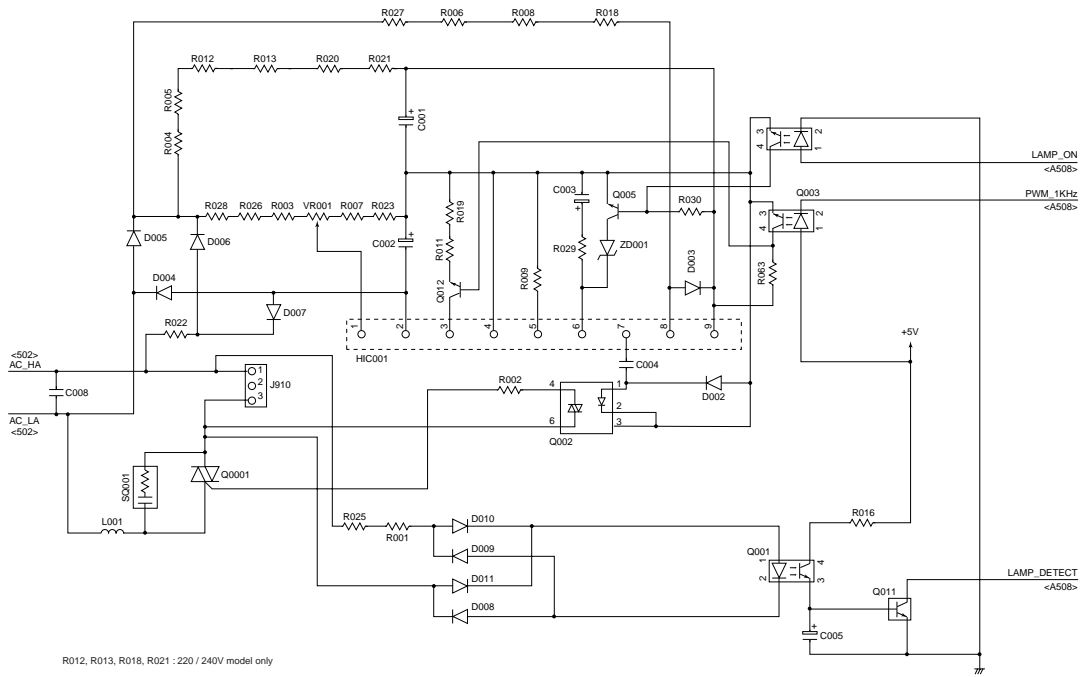
Composite Power Supply Circuit Diagram [A507] (6/8)



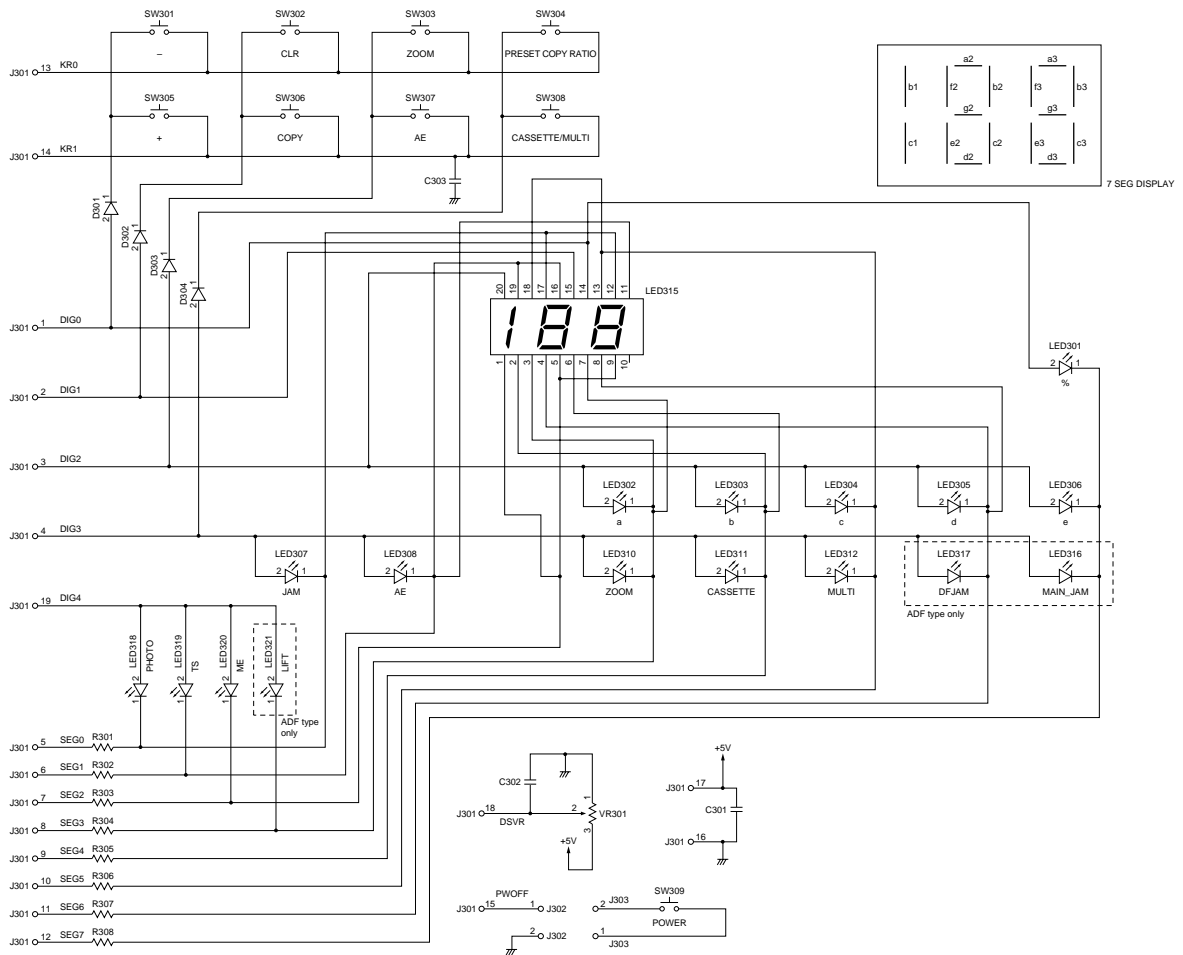
Composite Power Supply Circuit Diagram [A508] (7/8)



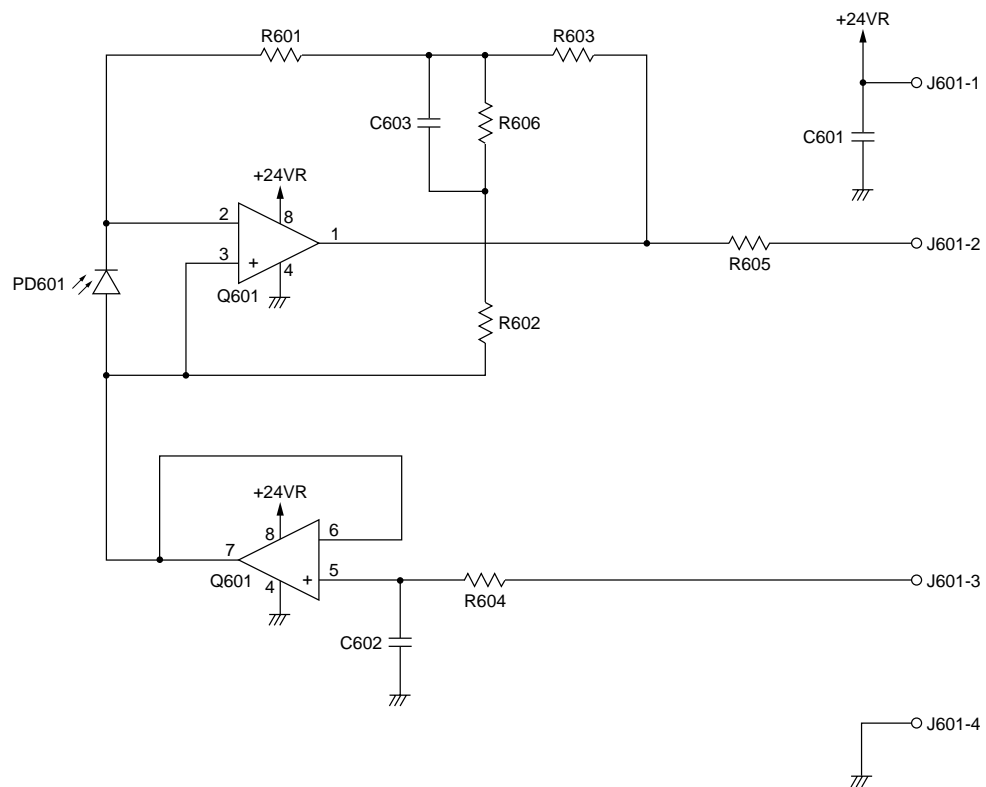
Composite Power Supply Circuit Diagram [A509] (8/8)



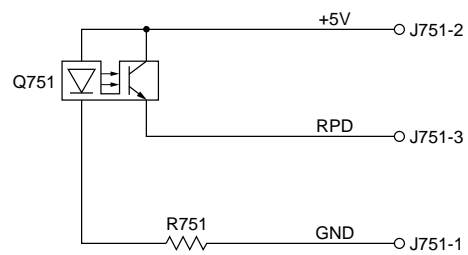
G. CONTROL PANEL CIRCUIT DIAGRAM



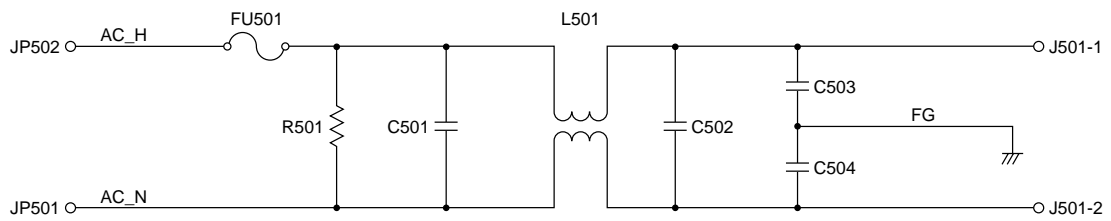
H. AE SENSOR CIRCUIT DIAGRAM



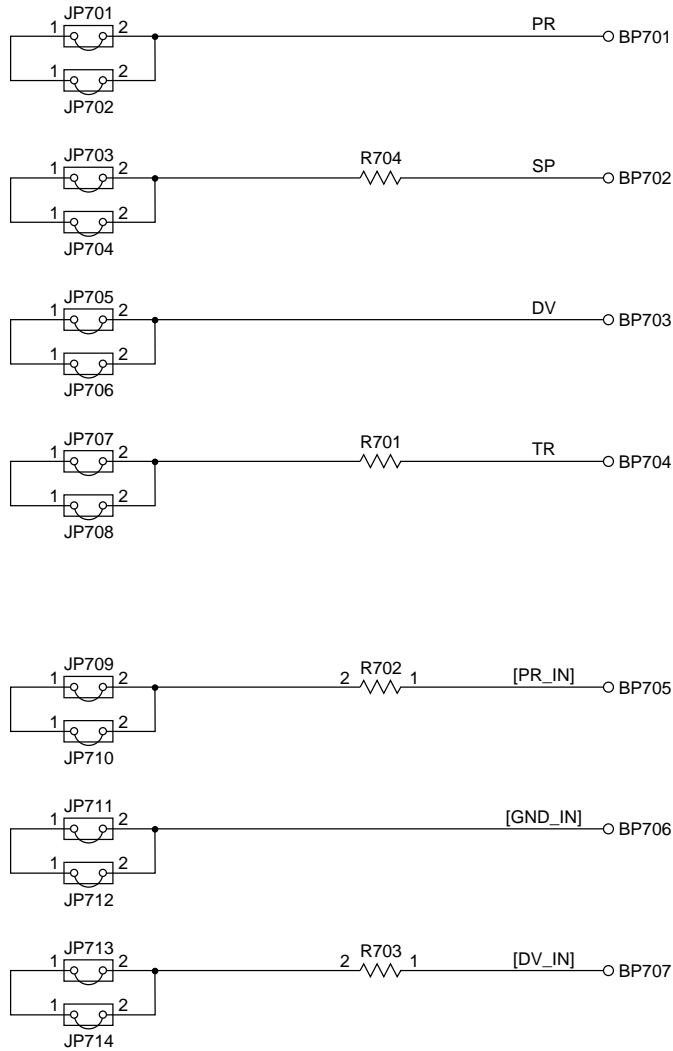
I. SENSOR CIRCUIT DIAGRAM



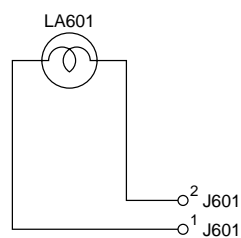
J. NOISE FILTER CIRCUIT DIAGRAM



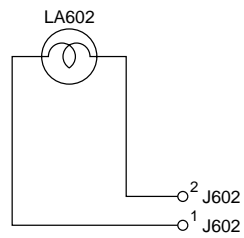
K. HIGH VOLTAGE CONTACT CIRCUIT DIAGRAM



L. BLANK EXPOSURE (front) CIRCUIT DIAGRAM

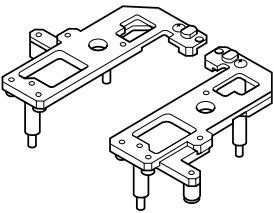
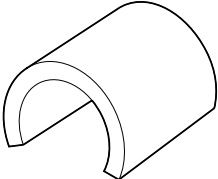
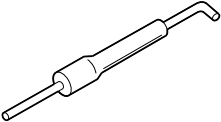


M. BLANK EXPOSURE (rear) CIRCUIT DIAGRAM



N. SPECIAL TOOLS

You will need the following special tool(s) in addition to the standard tools set when servicing the machine.

| No | Tool | Tool No. | Shape | Rank* | Remarks |
|----|---|----------|---|-------|---|
| 1 | Mirror positioning tool (pair for front and rear) | FY9-3009 |  | B | For adjusting the distance between the No.1 and No.2 mirrors. |
| 2 | Wire clip | FY9-3017 |  | B | For fixing the scanner wire in place while adjusting its tension. |
| 3 | Spring gauge | CK-0054 |  | B | For checking the cassette spring pressure Range of measurements: 0 to 1,500g |

*Rank:

- A: Each service person is expected to carry one.
- B: Each five or so service persons is expected to carry one.
- C: Each workshop is expected to carry one.

O. SOLVENTS/OILS

| No. | Name | Uses | Composition | Remarks |
|-----|-----------------|---|--|--|
| 1 | Alcohol | Cleaning: e.g., glass, plastic, rubber parts; external covers | Hydrocarbon (fluorine family) Alcohol Surface active agent | <ul style="list-style-type: none"> • Do not bring near fire. • Procure locally. • Isopropyl alcohol may be substituted. |
| 2 | Solvent | Cleaning: e.g., metal; oil or toner dirt | Hydrocarbon (fluorine/chlorine family) Alcohol | <ul style="list-style-type: none"> • Do not bring near fire. • Procure locally. |
| 3 | Lubricating oil | Lubricating spring clutch | Mineral oil (paraffin family) | <ul style="list-style-type: none"> • CK-0451 (100cc) |
| 4 | Lubricating oil | Lubricating drive and friction parts, scanner rail | Silicone oil | <ul style="list-style-type: none"> • CK-0551 (20g) |

Prepared by
Office Imaging Products Technical Support Division
CANON INC.
Printed in Japan

REVISION 0 (AUG. 1999) (30359/10317)

5-1, Hakusan 7-chome, Toride-shi, Ibaraki 302-8501 Japan

Canon



This publication is printed on
70% reprocessed paper.